

Solenoid Valves

HSV08-23-01

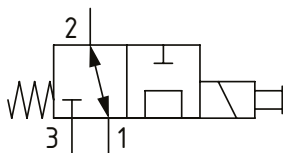
Solenoid Valve, 3-way, 2-position, Spool Type

350 bar [5000 psi] • 15 l/min [4 US gpm]

OPERATION AND DESCRIPTION

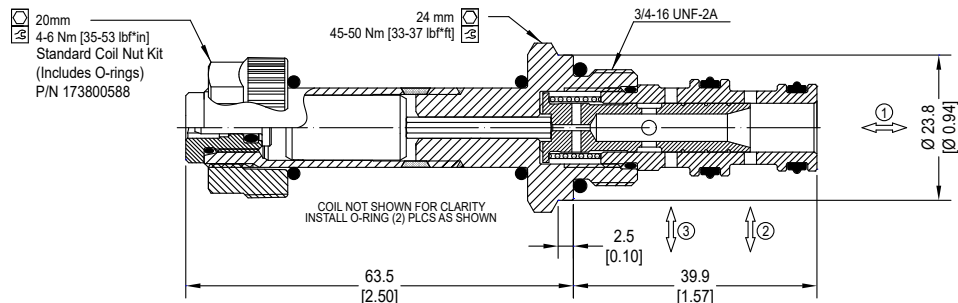
This is a 3-way, 2-position, spool type, direct acting solenoid valve. In the de-energized condition, port 1 is open to port 2 and port 3 is blocked. When energized, port 3 is open to port 1 and port 2 is blocked. These valves can be used in normally open, normally closed or selector modes. They come standard with a push pin manual override. Always check the operating envelope to make sure the valve will work under the required application conditions.

SCHEMATIC



DIMENSIONS

mm [in]

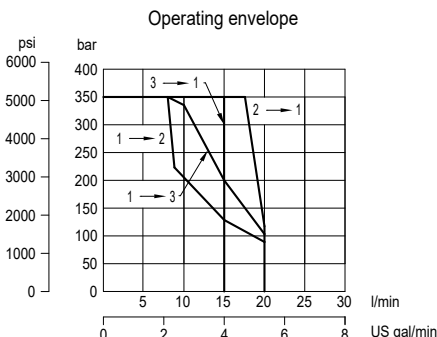
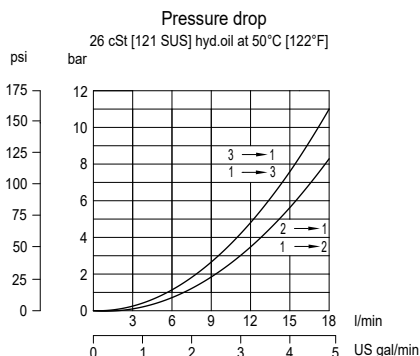


PERFORMANCE DATA

Rated Pressure*	350 bar [5000 psi]
Flow Capability	15 l/min [4 US gpm]
Coil Options	M13, R13
Weight	0.35 kg [0.77 lb]
Cavity	SDC08-3

*Rated Pressure based on NFPA fatigue test standards (at 1 million cycles)

PERFORMANCE CURVES



MODEL CODE

HSV08 - 23 - 01 - 12D - DE - PN - P - S3B

Coil Voltage

Standard Coil Code	Robust Coil Code	Coil Voltage
00	R00	No Coil, nut included*
10D	R10D	10 VDC
12D	R12D	12 VDC
20D	R20D	20 VDC
24D	R24D	24 VDC
110A		110 VAC**
220A		220 VAC**

*Standard Coil - Plastic coil nut and o-rings (p/n 173800588)

**Robust Coil - Steel coil nut and no o-rings (p/n 173800539)

**DIN only - external rectifier needed

Connector Type

Standard Coil Code	Robust Coil Code	Connector Type
00	00	No Coil
AJ		Amp Junior
AJD		Amp Junior with Diode
AS	AS	AMP SuperSeal 1.5
ASD	ASDB*	AMP SuperSeal with Diode
DE	DE	Deutsch
DED	DEDB*	Deutsch with Diode
FL	FL	Flying Leads
FLD	FLDB*	Flying Leads with Diode
DN		DIN 43650

*Bi-directional diode

Housing

Code	Ports	Housing Model Code
00	No Housing	
S3B	3/8 BSP, Steel	CP08-3-S3B
S4S	#4 SAE, Steel	CP08-3-S4S
S6S	#6 SAE, Steel	CP08-3-S6S

* Aluminum bodies are to be used for pressures less than 210 bar [3000 psi].

** Additional housings available

Seal Option

Code	Seal kit
P-Polyurethane Single Seal	11167282