

# Solenoid Valves

## SV08-23-04

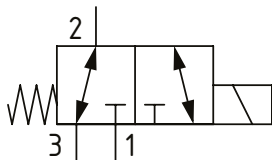
Solenoid Valve, 3-way, 2-position, Spool Type

230 bar [3300 psi] • 12 l/min [3.2 US gpm]

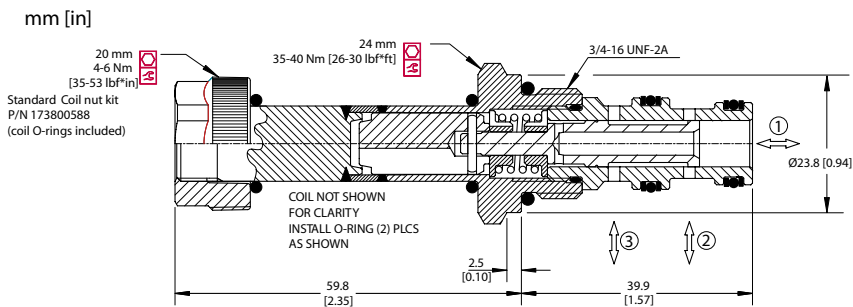
### OPERATION AND DESCRIPTION

This is a 3-way, 2-position, spool type, direct acting solenoid valve. In the de-energized condition, port 3 is open to port 2 and port 1 is blocked. When energized, port 2 is open to port 1 and port 3 is blocked. These valves can be used in normally open, normally closed or selector modes. Always check the operating envelope to make sure the valve will work under the required application conditions.

### SCHEMATIC



### DIMENSIONS



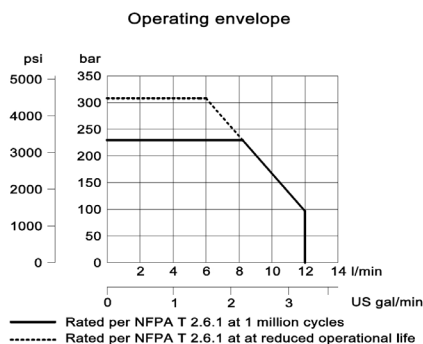
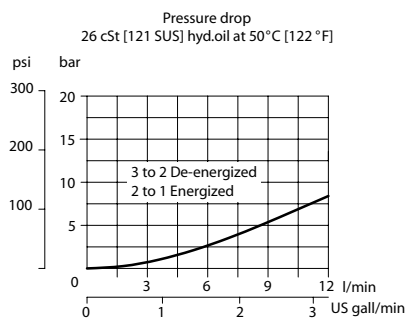
### PERFORMANCE DATA

<b>Rated Pressure*</b>	<b>230 bar [3300 psi]**</b>
<b>Flow Capability</b>	<b>12 l/min [3.2 US gpm]</b>
<b>Coil Options</b>	M13, R13
<b>Weight</b>	0.31 kg [0.68 lb]
<b>Cavity</b>	SDC08-3

\*Rated Pressure based on NFPA fatigue test standards (at 1 million cycles)

\*\*Valve can operate at 315 bar [4600 psi] for 400,000 cycles. With inlet at port 2, this can be increased to 600,000 cycles.

### PERFORMANCE CURVES



### MODEL CODE

**SV08 - 23 - 04 - 12D - DE - B - 4S**

#### Coil Voltage

Standard Coil Code	Robust Coil Code	Coil Voltage
00	R00	No Coil, nut included*
10D	R10D	10 VDC
12D	R12D	12 VDC
20D	R20D	20 VDC
24D	R24D	24 VDC
110A		110 VAC**
220A		220 VAC**

\*Standard Coil - Plastic coil nut and o-rings (p/n 173800588)

\*Robust Coil - Steel coil nut and no o-rings (p/n 173800539)

\*\*DIN only - external rectifier needed

#### Connector Type

Standard Coil Code	Robust Coil Code	Connector Type
00	00	No Coil
AJ		Amp Junior
AJD		Amp Junior with Diode
AS	AS	AMP SuperSeal 1.5
ASD	ASDB*	AMP SuperSeal with Diode
DE	DE	Deutsch
DED	DEDB*	Deutsch with Diode
FL	FL	Flying Leads
FLD	FLDB*	Flying Leads with Diode
DN		DIN 43650

\*Bi-directional diode

#### Housing

Code	Ports	Housing Model Code
00	No Housing	
4S	#4 SAE, AL	CP08-3-4S
6S	#6 SAE, AL	CP08-3-6S
S6S	#6 SAE, Steel	CP08-3-S6S
SE2B	1/4 BSP, AL	SDC08-3-SE2B
SE3B	3/8 BSP, AL	SDC08-3-SE3B
S3B	3/8 BSP, Steel	CP08-3-S3B

\* Aluminum bodies are to be used for pressures less than 210 bar [3000 psi].

\* Additional housings available

#### Seal Option

Code	Seal kit
B-Buna - N	354003210
V-Viton	354003819