

Solenoid Valves

SV10-22-02

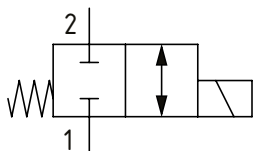
Solenoid Valve, 2-way, Spool Type, Normally Closed

230 bar [3300 psi] • 35 l/min [9 US gpm]

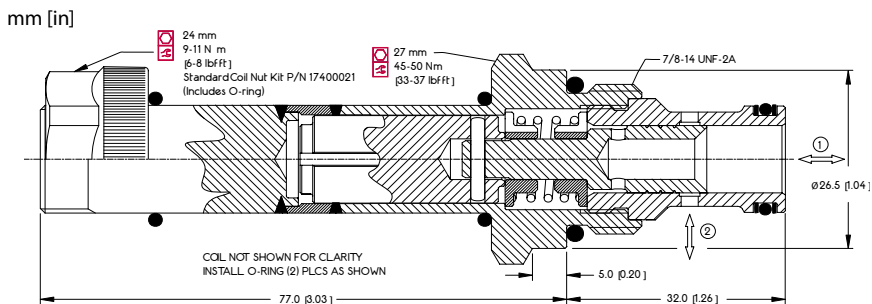
OPERATION AND DESCRIPTION

This is a 2-way, 2-position, spool type, normally closed solenoid valve. In its de-energized condition flow is blocked in both directions. When energized, flow can take place from port 2 to 1 and from 1 to 2. The valve will be subject to normal spool leakage dependent on the pressure difference between the ports. These valves can be used to interrupt a pressure line where flow is expected to pass in both directions in the de-energized condition.

SCHEMATIC



DIMENSIONS



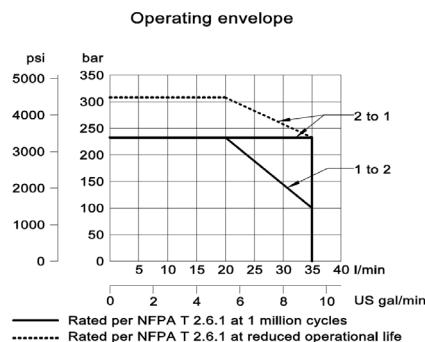
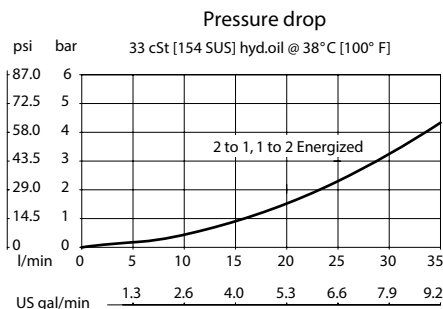
PERFORMANCE DATA

Rated Pressure*	230 bar [3300 psi]**
Flow Capability	35 l/min [9 US gpm]
Coil Options	M16, R16
Weight	0.43 kg [0.95 lb]
Cavity	SDC10-2

*Rated Pressure based on NFPA fatigue test standards (at 1 million cycles)

**Valve can operate at 315 bar [4600 psi] for 120,000 cycles. With inlet at port 2, this value is increased to 500,000 cycles.

PERFORMANCE CURVES



MODEL CODE

SV10 - 22 - 02 - 12D - DE - B - 6S

Coil Voltage

Standard Coil Code	Robust Coil Code	Coil Voltage
00	R00	No Coil, nut included*
10D	R10D	10 VDC
12D	R12D	12 VDC
20D	R20D	20 VDC
24D	R24D	24 VDC
110A		110 VAC**
220A		220 VAC**

*Standard Coil - Plastic coil nut and o-rings (p/n 17400021)

*Robust Coil - Steel coil nut and no o-rings (p/n 173804910)

**DIN only - external rectifier needed

Connector Type

Standard Coil Code	Robust Coil Code	Connector Type
00	00	No Coil
AJ		Amp Junior
AJD		Amp Junior with Diode
AS	AS	AMP SuperSeal 1.5
ASD	ASDB*	AMP SuperSeal with Diode
DE	DE	Deutsch
DED	DEDB*	Deutsch with Diode
FL	FL	Flying Leads
FLD	FLDB*	Flying Leads with Diode
DN		DIN 43650

*Bi-directional diode

Housing

Code	Ports	Housing Model Code
00	No Housing	
6S	#6 SAE, AL	CP08-2-6S
8S	#8 SAE, AL	CP10-2-8S
S8S	#8 SAE, Steel	CP10-2-S8S
DG3B	3/8 BSP, AL	SDC10-2-DG3B
DG4B	1/2 BSP, AL	SDC10-2-DG4B
S4B	1/2 BSP, AL	CP10-2-S4B

* Aluminum bodies are to be used for pressures less than 210 bar [3000 psi].

* Additional housings available

Seal Option

Code	Seal kit
B-Buna - N	354004019
V-Viton	354003419