

# Solenoid Valves

## SV10-24-07

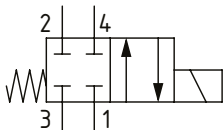
Solenoid Valve, 4-way, 2-position, Spool Type

230 bar [3300 psi] • 30 l/min [8 US gpm]

### OPERATION AND DESCRIPTION

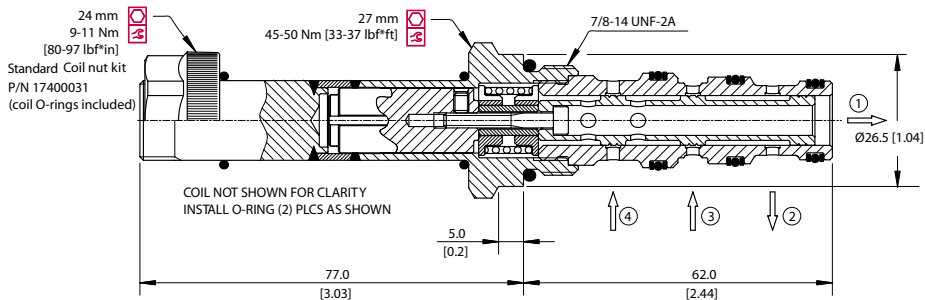
This is a 4-way, 2-position, spool type, direct acting solenoid valve. In the de-energized condition, all ports are blocked. When energized, port 3 is open to 2 and port 4 to 1. These valves can be used to isolate a function until required. Always check the operating envelope to make sure the valve will work under the required application conditions. Port 1 is not intended as inlet (Tank only).

### SCHEMATIC



### DIMENSIONS

mm [in]



### PERFORMANCE DATA

**Rated Pressure\*** 230 bar [3300 psi]\*\*

**Flow Capability** 30 l/min [8 US gpm]

**Coil Options** M16, R16

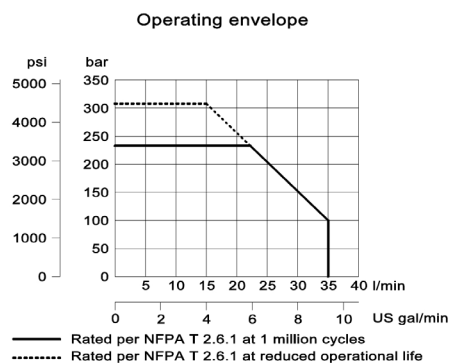
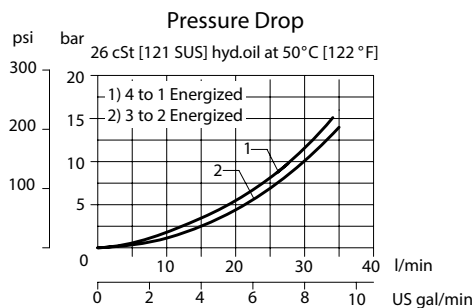
**Weight** 0.45 kg [0.99 lb]

**Cavity** SDC10-4

\*Rated Pressure based on NFPA fatigue test standards (at 1 million cycles)

\*\*Valve can operate with an inlet pressure of 315 bar [4600 psi] at port 3 for 400,000 cycles.

### PERFORMANCE CURVES



### MODEL CODE

SV10 - 24 - 07 - 12D - DE - B - 6S

#### Coil Voltage

Standard Coil Code	Robust Coil Code	Coil Voltage
00	R00	No Coil, nut included*
10D	R10D	10 VDC
12D	R12D	12 VDC
20D	R20D	20 VDC
24D	R24D	24 VDC
110A		110 VAC**
220A		220 VAC**

\*Standard Coil - Plastic coil nut and o-rings (p/n 17400021)

\*\*Robust Coil - Steel coil nut and no o-rings (p/n 173804910)

\*\*DIN only - external rectifier needed

#### Connector Type

Standard Coil Code	Robust Coil Code	Connector Type
00	00	No Coil
AJ		Amp Junior
AJD		Amp Junior with Diode
AS	AS	AMP SuperSeal 1.5
ASD	ASDB*	AMP SuperSeal with Diode
DE	DE	Deutsch
DED	DEDB*	Deutsch with Diode
FL	FL	Flying Leads
FLD	FLDB*	Flying Leads with Diode
DN		DIN 43650

\*Bi-directional diode

#### Housing

Code	Ports	Housing Model Code
00	No Housing	
6S	#6 SAE, AL	CP10-4-6S
8S	#8 SAE, AL	CP10-4-8S
S8S	#8 SAE, Steel	CP10-4-S8S
L3B	3/8 BSP, AL	SDC10-4-L3B
L4B	1/2 BSP, AL	SDC10-4-L4B
S4B	1/2 BSP, Steel	CP10-4-S4B

\* Aluminum bodies are to be used for pressures less than 210 bar [3000 psi].

\* Additional housings available

#### Seal Option

Code	Seal kit
B-Buna - N	354001919
V-Viton	354002019