

# Solenoid Valves

## SV14-10-O

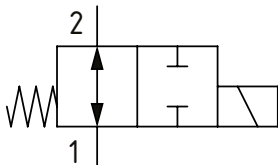
Solenoid Valve, 2-way, Spool Type, Normally Open

350 bar [5000 psi] • 23 l/min [6 US gpm]

### OPERATION AND DESCRIPTION

This is a 2-way, 2-position, spool type, direct acting, normally open solenoid valve. When de-energized, flow can take place from port 2 to 1 and from 1 to 2. In its energized condition, flow is blocked in both directions. The valve will be subject to normal spool leakage dependent on the pressure difference between the ports. These valves can be used to interrupt a pressure line where flow is expected to pass in both directions in the energized condition.

### SCHEMATIC



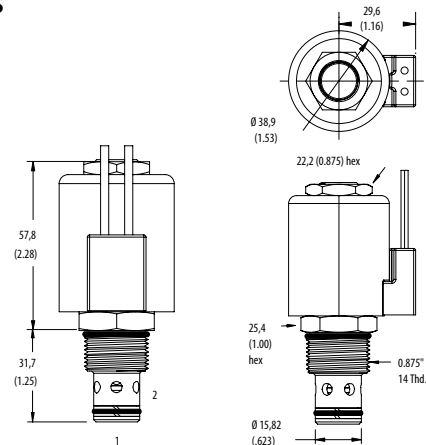
### PERFORMANCE DATA

<b>Rated Pressure</b>	<b>350 bar [5000 psi]</b>
<b>Flow Capability</b>	<b>23 l/min [6 US gpm]</b>
<b>Leakage</b>	140 ml/min (8.5 in <sup>3</sup> /min) @ 350 bar [5000 psi]
<b>Coil Options</b>	H series
<b>Weight</b>	0.18 kg [0.39 lb]
<b>Cavity</b>	SDC10-2

### DIMENSIONS

mm [in]

**Coil nut torque**  
5-8 Nm [4-6 ft. lbs]

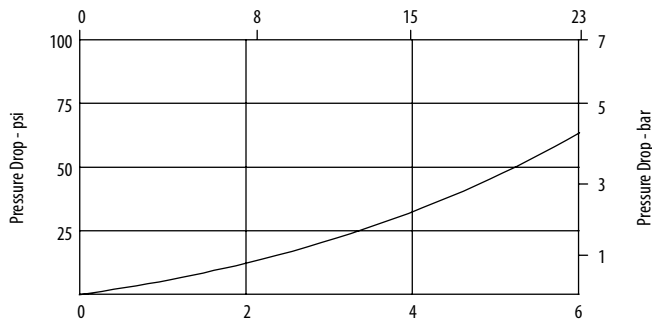


**Installation torque**  
68-75 Nm [50-55 ft. lbs]

### PERFORMANCE CURVES

#### Pressure Drop

Flow - L/min (21,8 cSt oil @ 49°C)



Flow - USgpm (105 SUS oil @ 120°F)

Port 2 to port 1 or Port 1 to port 2 de-energized

### MODEL CODE

**SV14 - 10 - V - O - M - S - 2G - 12D - G - H**

#### Seal Option

Code	Seal kit
Omit - Buna - N	566806
V - Viton	889627

#### Manual Override Option

Omit - No manual override  
M - Pull and Twist

#### Housing Material

Omit - No housing  
S - Steel

#### Housing

Code	Ports	Steel
0	No Housing	
2G	1/4" BSP	02-175102
3G	3/8" BSP	02-175103
6T	#6 SAE	02-175100
8T	#8 SAE	02-175101
6H	#6 SAE	
8H	#8 SAE	

\* Aluminum bodies are to be used for pressures less than 210 bar [3000 psi].

\* Additional housings available

#### Coil Series

Omit - No coil  
H - 10 series, 29 W

#### Connector Type

Omit - No coil  
G - ISO 4400 DIN 43650  
Q - Spade terminals  
W - Flying lead  
N - Deutsch (DC only)  
Y - Amp JR (DC only)  
D - Metripack 150 male (DC only)  
J - Metripack 280 male (DC only)

#### Coil Voltage

Code	Coil Voltage
00	No Coil, nut included, (p/n 02-175698)
12D	12 VDC
24D	24 VDC
115A	115 VAC**
230A	230 VAC**
12B	2VDC/w diode*
24B	24 VDC/w diode*

\*Optional arc suppression diode

\*\*Internally rectified

\*\*\*Other voltage options available