

Solenoid Valves

SV15-22-02

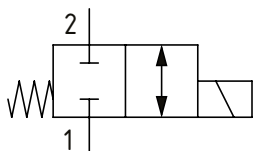
Solenoid Valve, 2-way, Spool Type, Normally Closed

230 bar [3300 psi] • 60 l/min [16 US gpm]

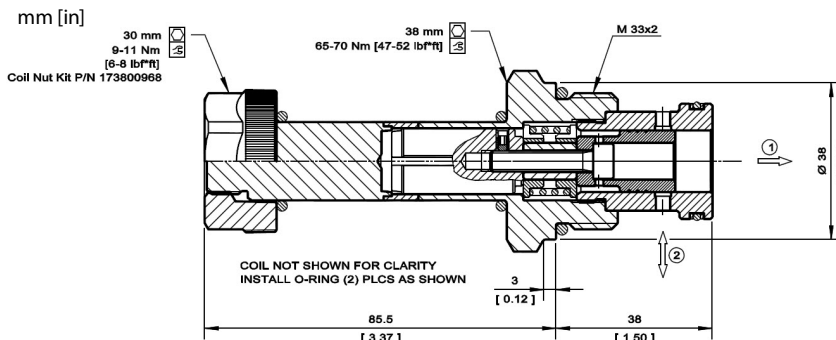
OPERATION AND DESCRIPTION

This is a 2-way, 2-position, spool type, normally closed solenoid valve. In its de-energized condition flow is blocked in both directions. When energized, flow can take place from port 2 to 1 and from 1 to 2. The valve will be subject to normal spool leakage dependent on the pressure difference between the ports. These valves can be used to interrupt a pressure line where flow is expected to pass in both directions in the de-energized condition.

SCHEMATIC



DIMENSIONS



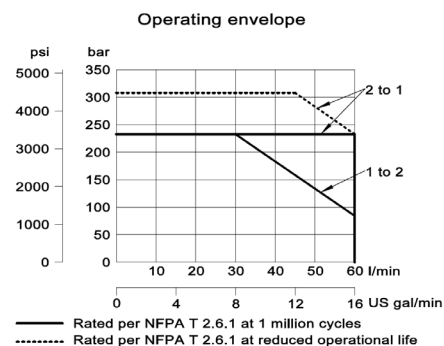
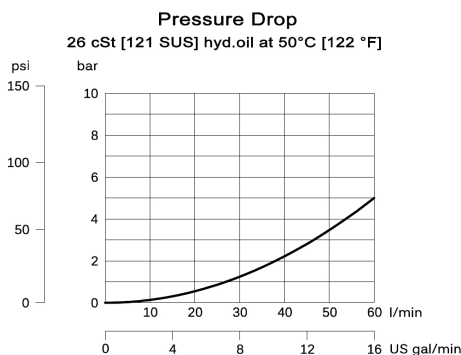
PERFORMANCE DATA

Rated Pressure*	230 bar [3300 psi]**
Flow Capability	60 l/min [16 US gpm]
Coil Options	M19
Weight	0.65 kg [1.65 lb]
Cavity	NCS 12/2

*Rated Pressure based on NFPA fatigue test standards (at 1 million cycles)

**Valve can operate at 315 bar [4600 psi] for 100,000 cycles. With inlet at port 2, this can be increased to 300,000 cycles.

PERFORMANCE CURVES



MODEL CODE

SV15 - 22 - 02 - 12D - DE - B - 8S

Coil Voltage

Code	Coil Voltage
00	No Coil, nut included*
10D	10 VDC
12D	12 VDC
20D	20 VDC
24D	24 VDC
110A	110 VAC**
220A	220 VAC**

*Standard Coil - Plastic coil nut and o-rings (p/n 173800968)

**DIN only - external rectifier needed

Connector Type

Code	Connector Type
00	No Coil
AJ	Amp Junior
AJD	Amp Junior with Diode
DE	Deutsch
DED	Deutsch with Diode
FL	Flying Leads
DN	DIN 43650

Housing

Code	Ports	Housing Model Code
00	No Housing	
8S	#8 SAE, AL	NCS 12/2-DG-8S
12S	#12 SAE, Steel	NCS 12/2-DG-12S
4B	1/2 BSP, AL	NCS 12/2-DG-1/2
6B	3/4 BSP, AL	NCS 12/2-DG-3/4

* Aluminum bodies are to be used for pressures less than 210 bar [3000 psi].

* Additional housings available

Seal Option

Code	Seal kit
B-Buna - N	11115411
V-Viton	11115413