

# Solenoid Valves

## SVP08-NC

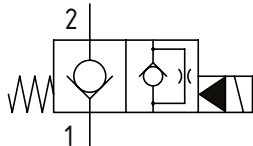
Solenoid Valve, 2-way, Poppet Type, Normally Closed, Pilot Operated

230 bar [3300 psi] • 35 l/min [9 US gpm]

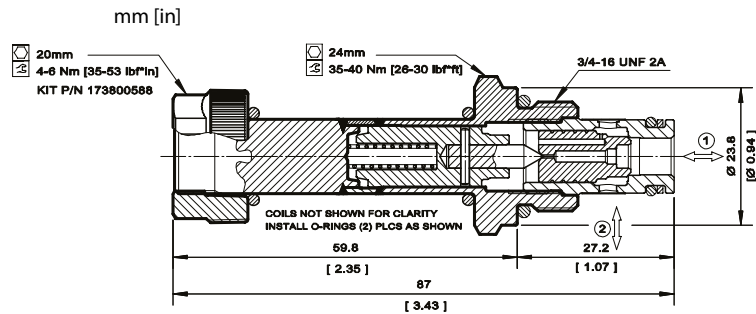
### OPERATION AND DESCRIPTION

This is a 2-way, 2-position, poppet type, pilot operated, normally closed solenoid valve. In its de-energized condition, flow passes from port 1 to 2 but is blocked in the opposite direction. When energized, flow passes from port 2 to 1 but is restricted in the opposite direction. Some models have the option of a filter at port 2. Due to the low leakage provided by the poppet design, these valves can be used to hold loads in position and bypass excess oil to tank.

### SCHEMATIC



### DIMENSIONS



### PERFORMANCE DATA

Rated Pressure*	230 bar [3300 psi]**
Rated flow	35 l/min [9 US gpm]
Leakage	6 drops/min @ Rated Pressure
Coil Options	M13, R13
Weight	0,23 kg [0.51 lbs]
Cavity	SDC08-2

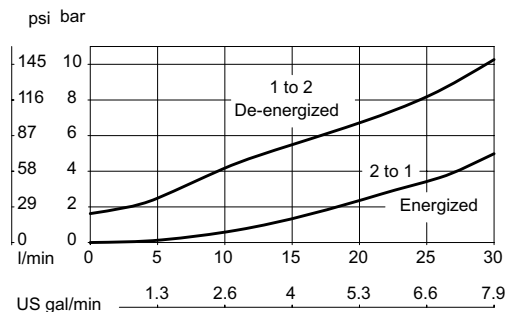
\*Rated Pressure based on NFPA fatigue test standards (at 1 million cycles)

\*\*Valve can operate at 315 bar [4600 psi] for 600,000 cycles

### PERFORMANCE CURVES

#### Pressure Drop

33 cSt [154 SUS] hyd.oil @ 38°C [100° F]



### MODEL CODE

SVP08 - NC - 12D - DE - M - B - F - 4S

#### Coil Voltage

Standard Coil Code	Robust Coil Code	Coil Voltage
00	R00	No Coil, nut included*
10D	R10D	10 VDC
12D	R12D	12 VDC
20D	R20D	20 VDC
24D	R24D	24 VDC
110A		110 VAC**
220A		220 VAC**

\*Standard Coil - Plastic coil nut and o-rings (p/n 173800588)

\*Robust Coil - Steel coil nut and no o-rings (p/n 173800539)

\*\*DIN only - external rectifier needed

#### Connector Type

Standard Coil Code	Robust Coil Code	Connector Type
00	00	No Coil
AJ		Amp Junior
AJD		Amp Junior with Diode
AS	AS	AMP SuperSeal 1.5
ASD	ASDB*	AMP SuperSeal with Diode
DE	DE	Deutsch
DED	DEDB*	Deutsch with Diode
FL	FL	Flying Leads
FLD	FLDB*	Flying Leads with Diode
DN		DIN 43650

\*Bi-directional diode

#### Housing

Code	Ports	Housing Model Code
00	No Housing	
4S	#4 SAE, AL	CP08-2-4S
6S	#6 SAE, AL	CP08-2-6S
56S	#6 SAE, Steel	CP08-2-56S
DG2B	1/4 BSP, AL	SDC08-2-DG2B
DG3B	3/8 BSP, AL	SDC08-2-DG3B
S3B	3/8 BSP, Steel	CP08-2-S3B

\* Aluminum bodies are to be used for pressures less than 210 bar [3000 psi].

\* Additional housings available

#### Filter Option

Omit - No filter  
F - Filter 300 µm

#### Seal Option

Code	Seal kit
B-Buna - N	354000119
V-Viton	354000219

#### Manual Override Option

Omit - No Override  
M - Screw Type (Pull)