

Solenoid Valves

SVP08-NCF

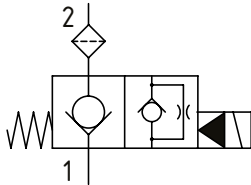


Solenoid Valve, Poppet Type, Normally Closed, Pilot Operated, Flow Control
230 bar [3300 psi] • 15 l/min 4 US gpm

OPERATION AND DESCRIPTION

This is a 2-way, 2-position, poppet type, pilot operated, normally closed solenoid valve. In its de-energized condition, flow passes from port 1 to 2 but is blocked in the opposite direction. When energized, flow passes from port 1 to 2 but is restricted by a pre-determined orifice in the opposite direction. Some models have the option of a filter at port 2. Due to the low leakage provided by the poppet design, these valves can be used to hold loads in position and then provide controlled lowering in applications such as scissor lifts or man lifts.

SCHEMATIC



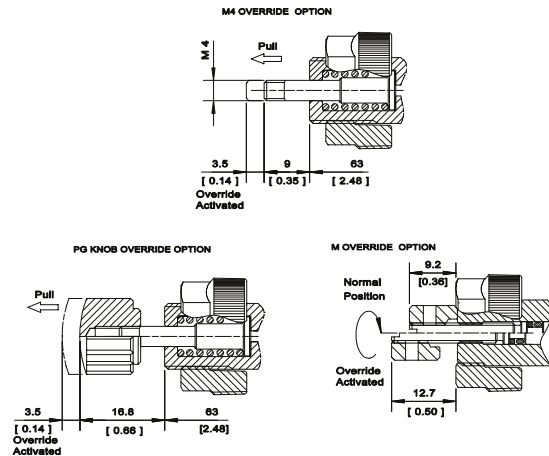
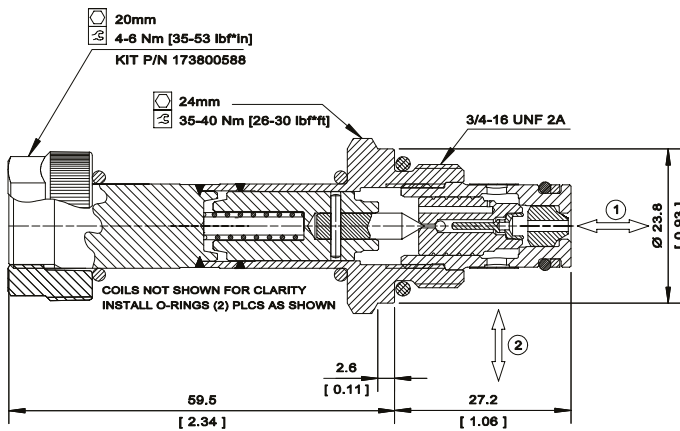
PERFORMANCE DATA

Rated Pressure*	230 bar [3300 psi]
Rated flow	15 l/min 4 US gpm
Leakage	6 drops/min @ Rated Pressure
Coil Options	M13, R13
Weight	0.23 kg [0.51 lb]
Cavity	SDC08-2

*Rated Pressure based on NFPA fatigue test standards (at 1 million cycles)

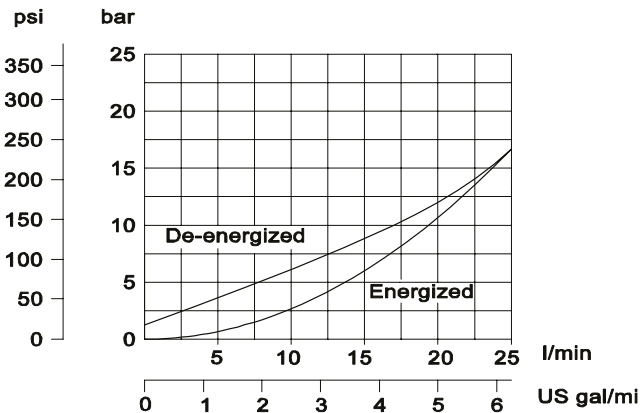
DIMENSIONS

mm [in]

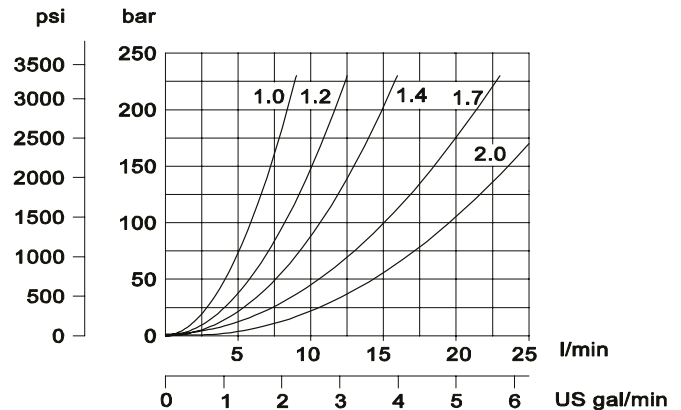


PERFORMANCE CURVES

Pressure drop (1 to 2)
 26 cSt [121 SUS] hyd.oil at 50°C [122 °F]



Pressure drop (2 to 1)
 26 cSt [121 SUS] hyd.oil at 50°C [122 °F]



Solenoid Valves

SVP08-NCF

Solenoid Valve, Poppet Type, Normally Closed, Pilot Operated, Flow Control

230 bar [3300 psi] • 15 l/min [4 US gpm]

MODEL CODE

SVP08 - NCF - 1.0 - 12D - DE - M4 - B - F - 6S

Orifice Size

Code [mm]	Flow @ 7 bar [100 psi]
1.0	1.3 LPM [0.34 GPM]
1.2	2.2 LPM [0.58 GPM]
1.4	2.7 LPM [0.71 GPM]
1.7	4 LPM [1.06 GPM]
2.0	5.8 LPM [1.54 GPM]

Coil Voltage

Standard Coil Code	Robust Coil Code	Coil Voltage
00	R00	No Coil, nut included*
10D	R10D	10 VDC
12D	R12D	12 VDC
20D	R20D	20 VDC
24D	R24D	24 VDC
110A		110 VAC**
220A		220 VAC**

*Standard Coil - Plastic coil nut and o-rings (p/n 173800588)

*Robust Coil - Steel coil nut and no o-rings (p/n 173800539)

**DIN only - external rectifier needed

Connector Type

Standard Coil Code	Robust Coil Code	Connector Type
00	00	No Coil
AJ		Amp Junior
AJD		Amp Junior with Diode
AS	AS	AMP SuperSeal 1.5
ASD	ASDB*	AMP SuperSeal with Diode
DE	DE	Deutsch
DED	DEDB*	Deutsch with Diode
FL	FL	Flying Leads
FLD	FLDB*	Flying Leads with Diode
DN		DIN 43650

*Bi-directional diode

Housing

Code	Ports	Housing Model Code
00	No Housing	
4S	#4 SAE, AL	CP08-2-4S
6S	#6 SAE, AL	CP08-2-6S
S6S	#6 SAE, Steel	CP08-2-S6S
2B	1/4 BSP, AL	SDC08-2-2B
3B	3/8 BSP, AL	SDC06-2-3B
S3B	3/8 BSP, Steel	CP08-2-S3B

*Aluminum bodies are to be used for pressures less than 210 bar [3000 psi].

*Additional housings available

Filter Option

Omit - No filter
F - Filter 300 µm

Seal Option

Code	Seal kit
B - Buna - N	364000119
V - Viton	364000219

Manual Override Option

Omit - No Override
M - Screw Type (Pull)
M4 - Pull Override (M4 Thread)
PG - Pull Override with Knob