

Proportional Valves

PAR1-16

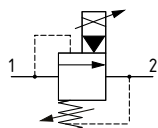
Proportional Relief Valve, Spool Type, Pilot Operated, Normally Open

210 bar [3000 psi] • 132 l/min [35 US gpm]

DESCRIPTION AND OPERATION

This is a pilot operated, spool type, normally open, proportional relief valve. In the de-energized condition, the pressure setting will be at a minimum. As current is applied to the coil, the pressure setting of the valve will increase proportionally. This valve is ideal for system pressure control where flows may vary.

SCHEMATIC



PERFORMANCE DATA

Rated pressure*	210 bar [3000 psi]
Rated flow	132 l/min [35 US gpm]
Leakage	130 ml/min [8 in ³ /min] @ 80% of pressure setting
Pressure Range	7-210 bar [100-3000 psi]
Maximum Hysteresis	10%
Threshold current	0 A
Maximum control current	1.0 A [12 VDC coil] 0.5 A [24 VDC coil]
Coil Options	J series
Weight	0.44 kg [0.98 lb]
Cavity	SDC16-2

*Rated pressure based on NFPA fatigue test standards (at 1 million cycles)

MODEL CODE

PAR1 - 16 - V - 100 - 0 - 12D - G - J

Seal Option

Code	Seal kit
Omit - Buna - N	565810
V - Viton	889609

Max Pressure Setting

Code x 100 - Pressure setting in psi [100 psi increments within specified Pressure Range]
Pressure Range: 7-210 bar [100-3000 psi]
 Example:

Code	Bar	Psi
100	100	[1450 psi]

Housing

Code	Ports	Aluminum
0	No housing	
12T	#12 SAE	566149
4G	1/2" BSP	876716
6G	3/4" BSP	876718
10H	#10 SAE	876717
12H	#12 SAE	566113

* Aluminum bodies are to be used for pressures less than 210 bar [3000 psi].

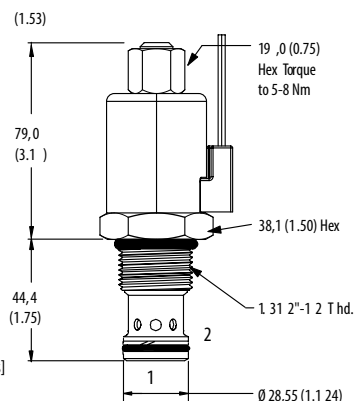
* Additional housings available

DIMENSIONS

mm [in]

Coil Nut Torque
5-8 Nm [4-6 ft lbs]

Installation torque
A - 108-122 Nm [80-90 ft lbs]



PERFORMANCE CURVES

