

Proportional Valves

CP518-PNC

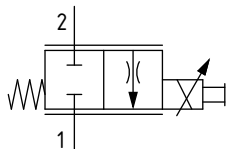
Proportional Flow Control Valve, Spool Type, Normally Closed, Direct Acting, Non-Compensated

210 bar [3000 psi] • 12 l/min [3.2 US gpm]

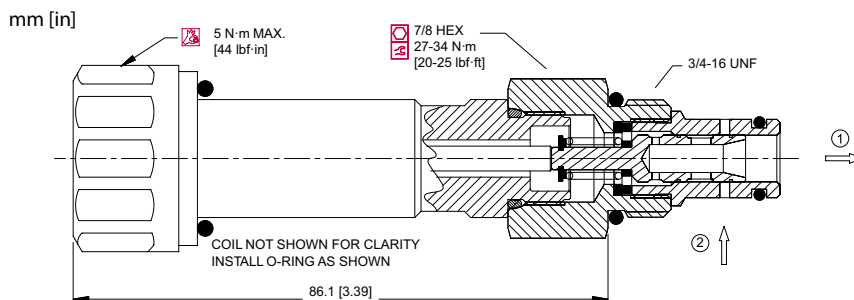
DESCRIPTION AND OPERATION

This is a 2-way, spool type, normally closed, non-compensated proportional flow control valve. In the de-energized condition, flow is blocked in both directions. Energizing the coil will proportionally open port 2 to 1. Used in conjunction with a compensator, the valve will act as the control orifice for a pressure compensated flow regulator.

SCHEMATIC



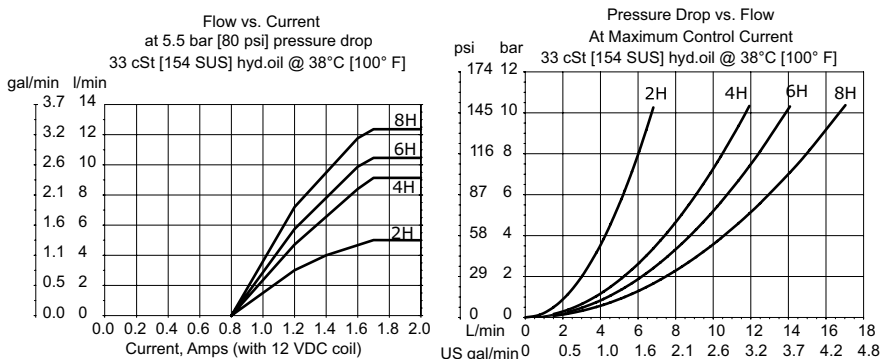
DIMENSIONS



PERFORMANCE DATA

Rated pressure	210 bar [3000 psi]
Rated flow @ 5.5 bar [80 psi]	12 l/min [3.2 US gpm]
Maximum Hysteresis	10%
Threshold current	0.8 A [12 VDC coil] 0.4 A [24 VDC coil]
Maximum control current	1.8 A [12 VDC coil] 0.9 A [24 VDC coil]
Coil Options	M19P
Weight	0.36 kg [0.80 lb]
Cavity	SDC08-2

PERFORMANCE CURVES



MODEL CODE

CP518 - PNC - U - 6S - 2H - 24D - DE

Seal Option

Code	Seal kit
U - Urethane	120591

Housing

Code	Ports & Material	Housing Model Code
00	No Housing	
4S	AL, #4 SAE	CP08-2-4S
6S	AL, #6 SAE	CP08-2-6S
2B	AL, 1/4 BSP	SDC08-2-DG2B
3B	AL, 3/8 BSP	SDC08-2-DG3B

* Aluminum bodies are to be used for pressures less than 210 bar [3000 psi].

* Additional housings available

Connector Type

00 - No coil
DE - Deutsch
DN - DIN 43650
FL - Lead wires
AJ - AMP Jr

Coil Voltage

00 - No coil, nut included*
12D - 12 VDC
24D - 24 VDC

*Standard Coil - Plastic coil nut and o-rings (p/n 173802188)

Rated Flow at 5.5 bar [80 psi]

Code	Flow
2H	5 l/min [1.3 US gpm]
4H	9 l/min [2.4 US gpm]
6H	10.5 l/min [2.8 US gpm]
8H	12 l/min [3.2 US gpm]