

Proportional Valves

CP518-PNO

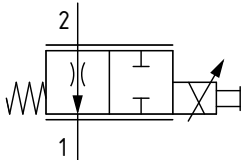
Proportional Flow Control Valve, Spool Type, Normally Open, Direct Acting, Non-Compensated

210 bar [3000 psi] • 11.5 l/min [3 US gpm]

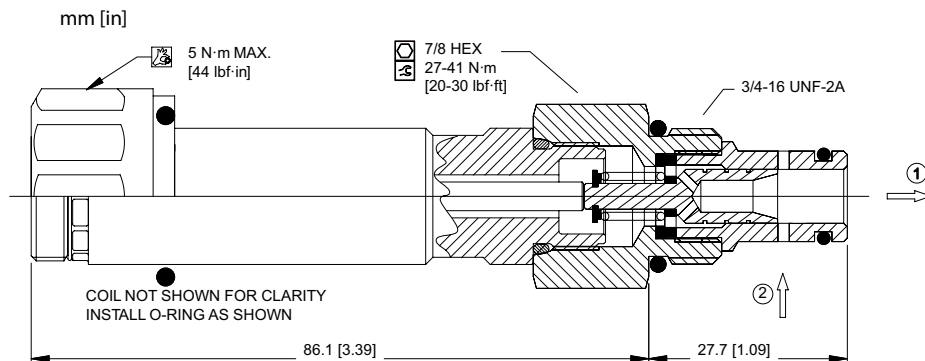
DESCRIPTION AND OPERATION

This is a 2-way, spool type, normally open, non-compensated proportional flow control valve. In the de-energized condition, flow can pass in either direction. Energizing the coil will proportionally close port 2 to 1. Used in conjunction with a compensator, the valve will act as the control orifice for a pressure compensated flow regulator.

SCHEMATIC



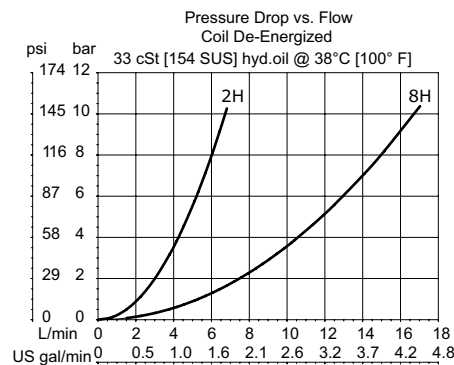
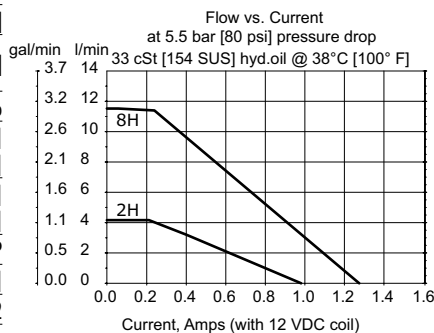
DIMENSIONS



PERFORMANCE DATA

Rated pressure	210 bar [3000 psi]
Rated flow @5.5 bar [80 psi]	11.5 l/min [3 US gpm]
Maximum Hysteresis	4%
Threshold current	0.2 A [12 VDC coil] 0.1 A [24 VDC coil]
Maximum control current	1.2 A [12 VDC coil] 0.6 A [24 VDC coil]
Coil Options	M19P
Weight	0.36 kg [0.80 lb]
Cavity	SDC08-2

PERFORMANCE CURVES



MODEL CODE

CP518 - PNO - U - 6S - 2H - 24D - DE

Seal Option

Code	Seal kit
U - Urethane	120591

Housing

Code	Ports & Material	Housing Model Code
00	No Housing	
4S	AL, #4 SAE	CP08-2-4S
6S	AL, #6 SAE	CP08-2-6S
2B	AL, 1/4 BSP	SDC08-2-DG2B
3B	AL, 3/8 BSP	SDC08-2-DG3B

* Aluminum bodies are to be used for pressures less than 210 bar [3000 psi].

* Additional housings available

Rated Flow at 5.5 bar [80 psi]

Code	Flow
2H	4 l/min [1 US gpm]
8H	11.5 l/min [3 US gpm]

Connector Type

00 - No coil
DE - Deutsch
DN - DIN 43650
FL - Lead wires
AJ - AMP Jr

Coil Voltage

00 - No coil, nut included*
12D - 12 VDC
24D - 24 VDC

*Standard Coil - Plastic coil nut and o-rings (p/n 173802188)