

Proportional Valves

PFC12-RC

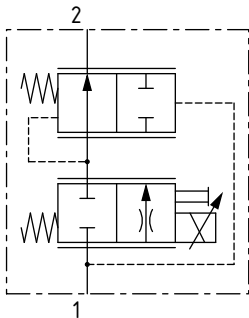
Proportional Flow Control Valve, Normally Closed, Restrictive Type, Pressure Compensated

260 bar [3800 psi] • 65 l/min [17 US gpm]

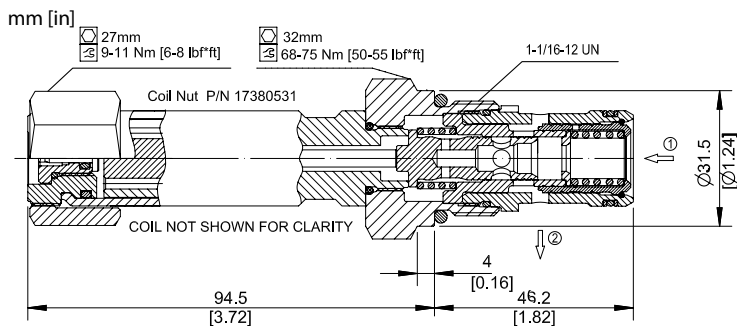
DESCRIPTION AND OPERATION

This is a 2-way, spool type, normally closed, restrictive type, pressure compensated proportional flow control valve. In the de-energized condition, flow is blocked in both directions. Energizing the coil will proportionally move the spool, opening a variable orifice from port 1 to 2. An internal compensating spool ensures that the output flow at port 2 remains constant, regardless of changes in differential pressure. Increasing the current to the coil will increase the outlet flow.

SCHEMATIC



DIMENSIONS

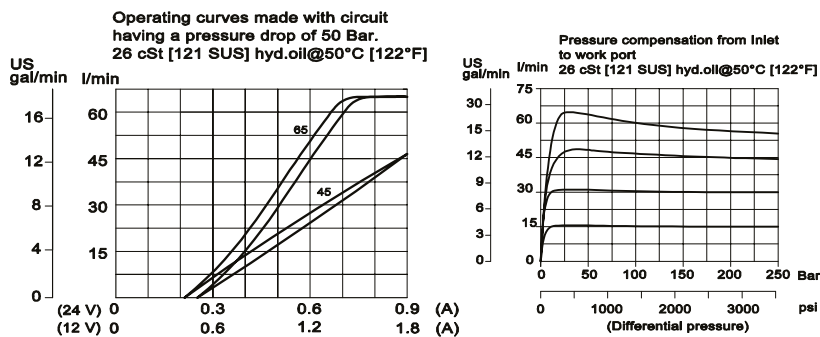


PERFORMANCE DATA

| | |
|-------------------------|---|
| Rated pressure* | 260 bar [3800 psi] |
| Max Regulated Flow | 65 l/min [17 US gpm] |
| Leakage | 420 ml/min [25.6 in ³ /min] @rated pressure |
| Maximum Hysteresis | 8% |
| Threshold current | 0.5 A [12VDC coil] 0.25 A [24VDC coil] |
| Maximum control current | 1.8 A [12 VDC coil] 0.9 A [24 VDC coil] |
| Coil Options | D14E [35 Watt] |
| Weight | 0.77 kg [1.70 lb] |
| Cavity | SDC12-2 |

*Rated pressure based on NFPA fatigue test standards (at 1 million cycles)

PERFORMANCE CURVES



MODEL CODE

PFC12-RC-65-12D-DE-SPS-B-00

Max Regulated Flow

| Code | Flow |
|------|----------------------|
| 45 | 45 l/min [12 US gpm] |
| 65 | 65 l/min [17 US gpm] |

Coil Voltage

00 - No coil, nut included*
12D - 12 VDC
24D - 24 VDC
*Aluminum coil nut (p/n 17380531)

Connector Type

00 - No coil
AJ - AMP Junior
DE - Deutsch
DN - DIN 43650

Manual Override Option

Omit - Push Pin
SPS - Screw Type

Housing

| Code | Ports & Material | Housing Model Code |
|------|------------------|--------------------|
| 00 | No housing | |
| 10S | AL, #10 SAE | CP12-2-10S |
| 12S | AL, #12 SAE | CP12-2-12S |
| DG4B | AL, 1/2 BSP | SDC12-2-DG4B |
| DG6B | AL, 3/4 BSP | SDC12-2-DG6B |

* Aluminum bodies are to be used for pressures less than 210 bar [3000 psi].
* Additional housings available

Seal Option

| Code | Seal kit |
|--------------|-----------|
| B - Buna - N | 354008319 |
| V - Viton | 354008419 |