

Proportional Valves

PFC16-RC

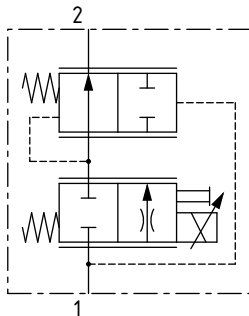
Proportional Flow Control Valve, Normally Closed, Restrictive Type, Pressure Compensated

260 bar [3800 psi] • 90 l/min [24 US gpm]

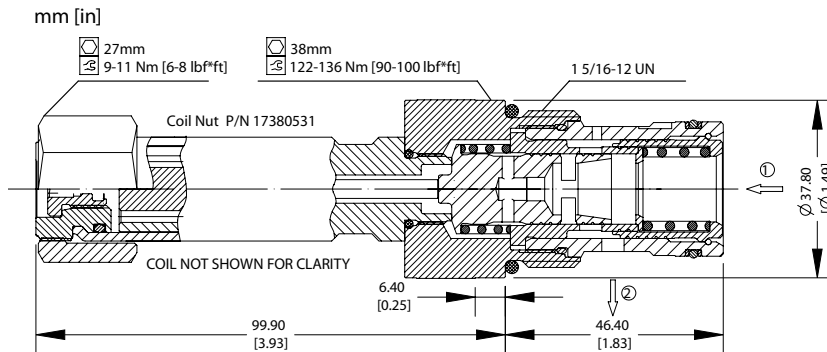
DESCRIPTION AND OPERATION

This is a 2-way, spool type, normally closed, restrictive type, pressure compensated proportional flow control valve. In the de-energized condition, flow is blocked in both directions. Energizing the coil will proportionally move the spool, opening a variable orifice from port 1 to 2. An internal compensating spool ensures that the output flow at port 2 remains constant, regardless of changes in differential pressure. Increasing the current to the coil will increase the outlet flow.

SCHEMATIC



DIMENSIONS

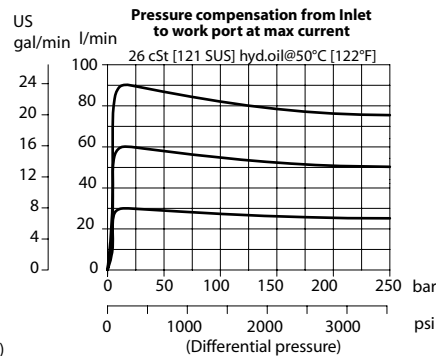
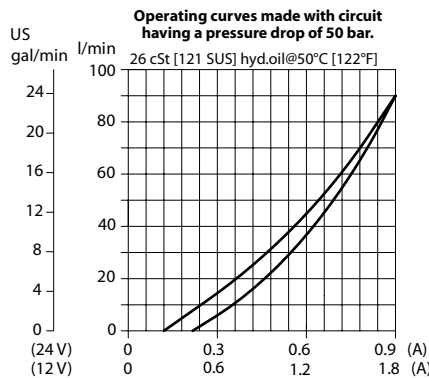


PERFORMANCE DATA

Rated pressure*	260 bar [3800 psi]
Max Regulated Flow	90 l/min [24 US gpm]
Leakage	420 ml/min [25.6 in ³ /min] @rated pressure
Maximum Hysteresis	8%
Threshold current	0.4 A [12 VDC coil] 0.2 A [24 VDC coil]
Maximum control current	1.8 A [12 VDC coil] 0.9 A [24 VDC coil]
Coil Options	D14E [35 Watt]
Weight	0.91 kg [2.01 lb]
Cavity	SDC16-2

*Rated pressure based on NFPA fatigue test standards (at 1 million cycles)

PERFORMANCE CURVES



MODEL CODE

PFC16-RC-90-12D-DE-SPS-B-00

Max Regulated Flow

Code	Flow
90	90 l/min [24 US gpm]

Coil Voltage

00 - No coil, nut included*
12D - 12 VDC
24D - 24 VDC
*Aluminum coil nut (p/n 17380531)

Connector Type

00 - No coil
AJ - AMP Junior
DE - Deutsch
DN - DIN 43650

Manual Override Option

Omit - Push Pin
SPS - Screw Type

Housing

Code	Ports & Material	Housing Model Code
00	No housing	
DG6B	AL, 3/4 BSP	SDC16-2-DG-6B
DG8B	AL, 1 BSP	SDC16-2-DG-8B
12S	AL, #12 SAE	CP16-2-12S
16S	AL, #16 SAE	CP16-2-16S

* Aluminum bodies are to be used for pressures less than 210 bar [3000 psi].
* Additional housings available

Seal Option

Code	Seal kit
B - Buna - N	354008719
V - Viton	354008819