

# Proportional Valves

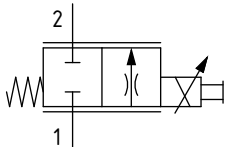
## PSV12-NC

Proportional Flow Control Valve, Spool Type, Normally Closed, Direct Acting, Non-Compensated  
**260 bar [3800 psi] • 80 l/min [21 US gpm]**

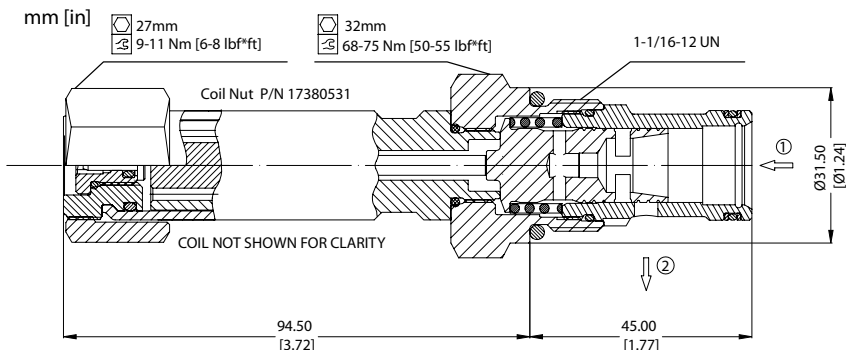
### DESCRIPTION AND OPERATION

This is a 2-way, spool type, normally closed, non-compensated proportional flow control valve. In the de-energized condition, flow is blocked in both directions. Energizing the coil will proportionally open port 1 to 2. Used in conjunction with a compensator, the valve will act as the control orifice for a pressure compensated flow regulator.

### SCHEMATIC



### DIMENSIONS

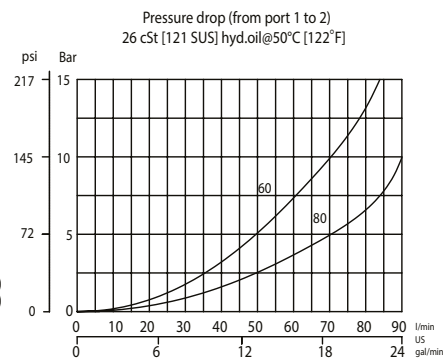
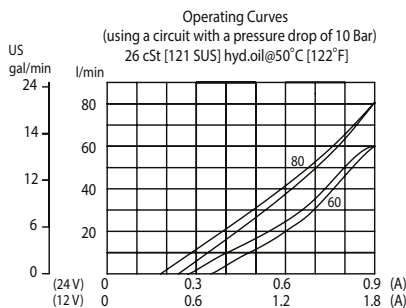


### PERFORMANCE DATA

<b>Rated pressure*</b>	<b>260 bar [3800 psi]</b>
<b>Rated flow @ 10 bar [145 psi]</b>	<b>80 l/min [21 US gpm]</b>
<b>Leakage</b>	420 ml/min [25.6 in <sup>3</sup> /min] @rated pressure
<b>Maximum Hysteresis</b>	5%
<b>Threshold current</b>	0.5 A [12 VDC coil] 0.25 A [24 VDC coil]
<b>Maximum control current</b>	1.8 A [12 VDC coil] 0.9 A [24 VDC coil]
<b>Coil Options</b>	D14E [35 Watt]
<b>Weight</b>	0.76 kg [1.68 lb]
<b>Cavity</b>	SDC12-2

\*Rated pressure based on NFPA fatigue test standards (at 1 million cycles)

### PERFORMANCE CURVES



### MODEL CODE

**PSV12 - NC - 80 - 12D - DE - SPS - B - 00**

#### Rated Flow @ 10 bar [145 psi]

Code	Flow
60	60 l/min [16 US gpm]
80	80 l/min [21 US gpm]

#### Coil Voltage

00 - No coil, nut included  
 12D - 12 VDC  
 24D - 24 VDC

\*Aluminum coil nut (p/n 17380531)

#### Connector Type

00 - No coil  
 AJ - AMP Junior  
 DE - Deutsch  
 DN - DIN 43650

#### Manual Override Option

Omit - Push Pin  
 SPS - Screw Type

#### Housing

Code	Ports & Material	Housing Model Code
00	No Housing	
10S	AL, #6 SAE	CP12-2-10S
12S	AL, #8 SAE	CP12-2-12S
DG4B	AL, 1/2 BSP	SDC12-2-DG4B
DG6B	AL, 3/4 BSP	SDC12-2-DG6B

\* Aluminum bodies are to be used for pressures less than 210 bar [3000 psi].  
 \* Additional housings available

#### Seal Option

Code	Seal kit
B - Buna - N	354008319
V - Viton	354008419