

# Proportional Valves

## PSV16-NO

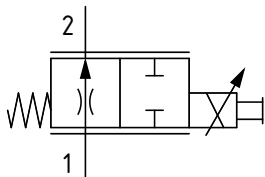
Proportional Flow Control Valve, Spool Type, Normally Open, Direct Acting, Non-Compensated

260 bar [3800 psi] • 110 l/min [29 US gpm]

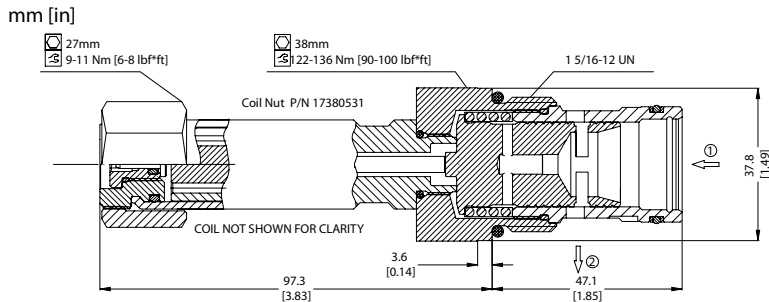
### DESCRIPTION AND OPERATION

This is a 2-way, spool type, normally open, non-compensated proportional flow control valve. In the de-energized condition, flow can pass in either direction. Energizing the coil will proportionally close port 1 to 2. Used in conjunction with a compensator, the valve will act as the control orifice for a pressure compensated flow regulator.

### SCHEMATIC



### DIMENSIONS

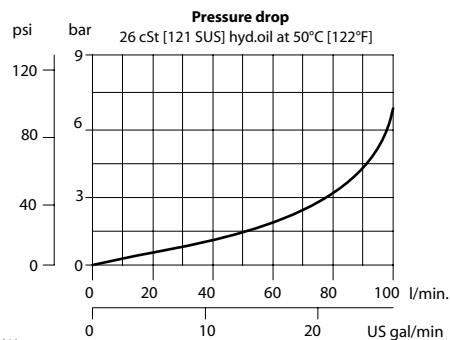
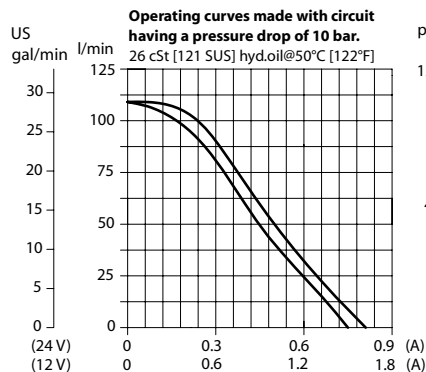


### PERFORMANCE DATA

Rated pressure*	260 bar [3800 psi]
Rated flow @10 bar [145 psi]	110 l/min [29 US gpm]
Leakage	420 ml/min [25.6 in <sup>3</sup> /min] @ Rated pressure
Maximum Hysteresis	5%
Threshold current	0.3 A [12 VDC coil] 0.15 A [24 VDC coil]
Maximum control current	1.8 A [12 VDC coil] 0.9 A [24 VDC coil]
Coil Options	D14E [35W]
Weight	0.87 kg [1.92 lb]
Cavity	SDC16-2

\*Rated pressure based on NFPA fatigue test standards (at 1 million cycles)

### PERFORMANCE CURVES



### MODEL CODE

PSV16 - NO - 110 - 12D - DE - SPS - B - 12S

Rated flow at 10 bar [145 psi]

Code	Flow
110	110 l/min [29 US gpm]

Coil Voltage

00 - No coil, nut included  
12D - 12 VDC  
24D - 24 VDC

\*Aluminum coil nut (p/n 17380531)

Connector Type

00 - No coil  
AJ - AMP Junior  
DE - Deutsch  
DN - DIN 43650

Manual Override Option

Omit - Push Pin  
SPS - Screw Type

Housing

Code	Ports & Material	Housing Model Code
00	No housing	
DG6B	AL, 3/4 BSP	SDC16-2-DG-6B
DG8B	AL, 1 BSP	SDC16-2-DG-8B
12S	AL, #12 SAE	CP16-2-12S
16S	AL, #16 SAE	CP16-2-16S

\* Aluminum bodies are to be used for pressures less than 210 bar [3000 psi].

\* Additional housings available

Seal Option

Code	Seal kit
B - Buna - N	354008719
V - Viton	354008819