

Proportional Valves

PSVP10-NOR

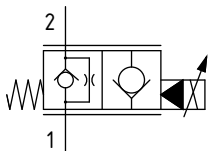
Proportional Flow Control Valve, Poppet Type, Normally Open, Pilot Operated, Non-Compensated

260 bar [3800 psi] • 100 l/min [26 US gpm]

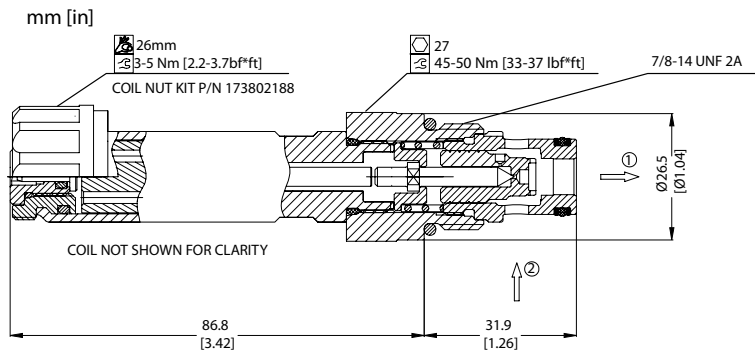
DESCRIPTION AND OPERATION

This is a 2-way, poppet type, normally open, pilot operated non-compensated proportional valve. In the de-energized condition, flow passes from port 2 to 1 but is restricted from port 1 to 2. Energizing the coil will proportionally push the poppet towards the seat closing port 2 to 1, while allowing free flow from port 1 to 2. Used in conjunction with a compensator, the valve will act as the control orifice for a pressure compensated flow control.

SCHEMATIC



DIMENSIONS

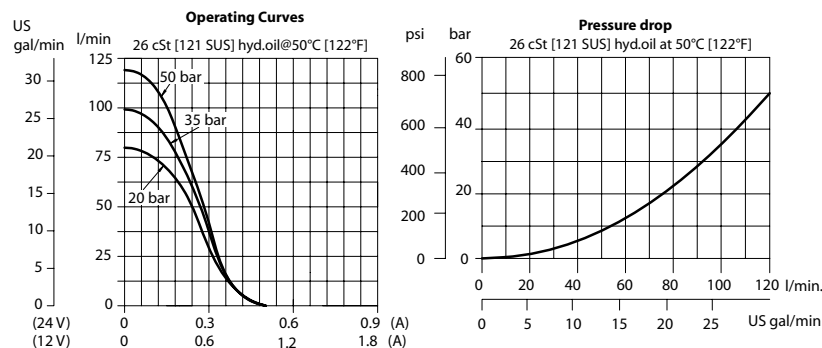


PERFORMANCE DATA

Rated pressure*	260 bar [3800 psi]
Rated flow @ 35 bar [500 psi]	100 l/min [26 US gpm]
Leakage	6 drops/min @Rated pressure
Maximum Hysteresis	8%
Threshold current	0 A
Maximum control current	1.0 [12 VDC coil] 0.5 [24 VDC coil]
Coil Options	M19P
Weight	0.54 kg [1.19 lb]
Cavity	SDC10-2

*Rated pressure based on NFPA fatigue test standards (at 1 million cycles)

PERFORMANCE CURVES



MODEL CODE

PSVP10 - NOR - 12D - DE - SPS - B - 00

Coil Voltage

00 - No coil, nut included*
12D - 12 VDC
24D - 24 VDC

*Standard Coil - Plastic coil nut and o-rings (p/n 173802188)

Connector Type

00 - No coil
AJ - AMP Junior
DE - Deutsch
DN - DIN 43650

Manual Override Option

Omit - Push Pin
SPS - Screw Type

Housing

Code	Ports & Material	Housing Model Code
00	No Housing	
65	AL, #6 SAE	CP10-2-65
85	AL, #8 SAE	CP10-2-85
DG3B	AL, 3/8 BSP	SDC10-2-DG3B
DG4B	AL, 1/2 BSP	SDC10-2-DG4B

* Aluminum bodies are to be used for pressures less than 210 bar [3000 psi].
* Additional housings available

Seal Option

Code	Seal kit
B - Buna - N	354004019
V - Viton	354003419