

# Proportional Valves

## PSVP12-NOR

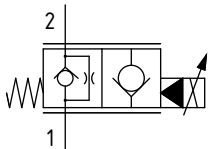
Proportional Flow Control Valve, Poppet Type, Normally Open, Pilot Operated, Non-Compensated

260 bar [3800 psi] • 120 l/min [32 US gpm]

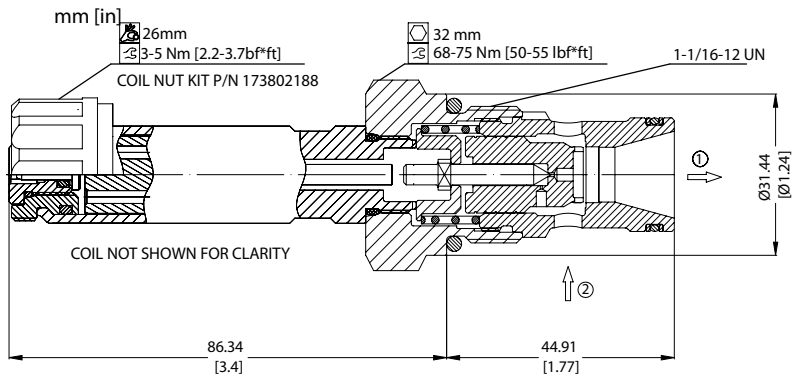
### DESCRIPTION AND OPERATION

This is a 2-way, poppet type, normally open, pilot operated non-compensated proportional valve. In the de-energized condition, flow passes from port 2 to 1 but is restricted from port 1 to 2. Energizing the coil will proportionally push the poppet towards the seat closing port 2 to 1, while allowing free flow from port 1 to 2. Used in conjunction with a compensator, the valve will act as the control orifice for a pressure compensated flow control.

### SCHEMATIC



### DIMENSIONS

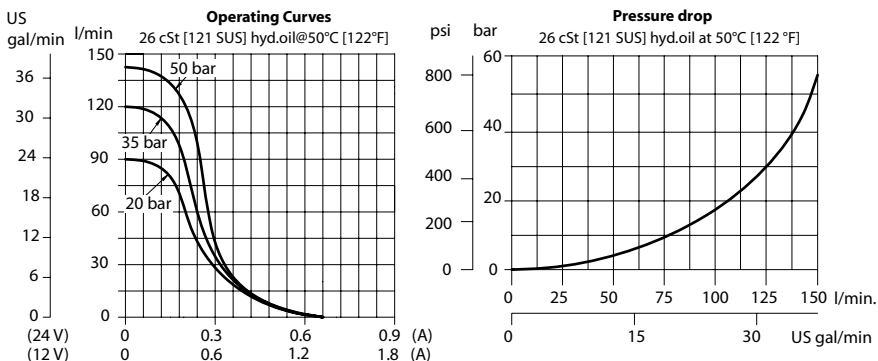


### PERFORMANCE DATA

Rated pressure*	260 bar [3800 psi]
Rated flow @ 35 bar [500 psi]	120 l/min [32 US gpm]
Leakage	6 drops/min @Rated pressure
Maximum Hysteresis	8%
Threshold current	0 A
Maximum control current	1.3 A [12 VDC coil] 0.65 A [24 VDC coil]
Coil Options	M19P
Weight	0.60 kg [1.32 lb]
Cavity	SDC12-2

\*Rated pressure based on NFPA fatigue test standards (at 1 million cycles)

### PERFORMANCE CURVES



### MODEL CODE

#### PSVP12 - NOR - 12D - DE - SPS - B - 00

##### Coil Voltage

00 - No coil, nut included\*  
12D - 12 VDC  
24D - 24 VDC

\*Standard Coil - Plastic coil nut and o-rings (p/n 173802188)

##### Connector Type

00 - No coil  
AJ - AMP Junior  
DE - Deutsch  
DN - DIN 43650

##### Manual Override Option

Omit - Push Pin  
SPS - Screw Type

##### Housing

Code	Ports & Material	Housing Model Code
00	No Housing	
10S	AL, #10 SAE	CP12-2-10S
12S	AL, #12 SAE	CP12-2-12S
DG4B	AL, 1/2 BSP	SDC12-2-DG4B
DG6B	AL, 3/4 BSP	SDC12-2-DG6B

\* Aluminum bodies are to be used for pressures less than 210 bar [3000 psi].  
\* Additional housings available

##### Seal Option

Code	Seal kit
B - Buna - N	354008319
V - Viton	354008419