

Proportional Valves

PSVP16-NCR

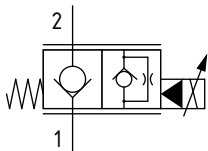
Proportional Flow Control Valve, Poppet Type, Normally Closed, Pilot Operated, Non-Compensated

260 bar [3800 psi] • 176 l/min [46 US gpm]

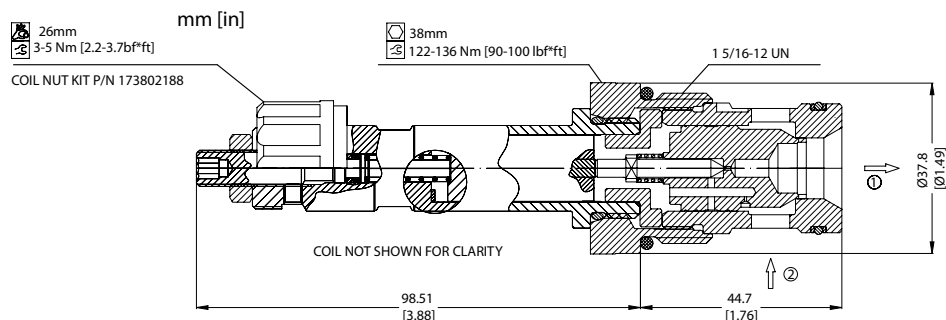
DESCRIPTION AND OPERATION

This is a 2-way, poppet type, normally closed, pilot operated non-compensated proportional valve. In the de-energized condition, flow is blocked from port 2 to 1 but free flow from port 1 to 2. Energizing the coil will proportionally lift the poppet off its seat opening port 2 to 1, while flow from port 1 to 2 will remain restricted. Used in conjunction with a compensator, the valve will act as the control orifice for a pressure compensated flow control.

SCHEMATIC



DIMENSIONS

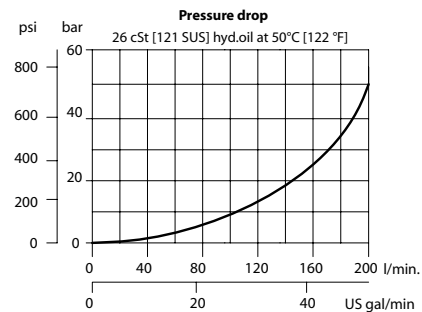
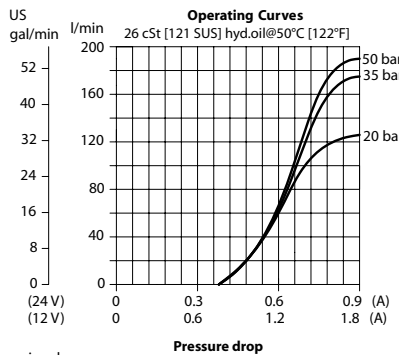


PERFORMANCE DATA

Rated pressure*	260 bar [3800 psi]
Rated flow @ 35 bar [500 psi]	176 l/min [46 US gpm]
Leakage	6 drops/min @ rated pressure
Maximum Hysteresis	8%
Threshold current	0.8 [12 VDC coil] 0.4 [24 VDC coil]
Maximum control current	1.8 [12 VDC coil] 0.9 [24 VDC coil]
Coil Options	M19P
Weight	0.85 kg [1.87 lb]
Cavity	SDC16-2

*Rated pressure based on NFPA fatigue test standards (at 1 million cycles)

PERFORMANCE CURVES



MODEL CODE

PSVP16 - NCR - 12D - DE - B - 00

Coil Voltage

00 - No coil, nut included*
12D - 12 VDC
24D - 24 VDC

*Standard Coil - Plastic coil nut and o-rings (p/n 173802188)

Connector Type

00 - No coil
AJ - AMP Junior
DE - Deutsch
DN - DIN 43650

Housing

Code	Ports & Material	Housing Model Code
00	No Housing	
DG6B	AL, 3/4 BSP	SDC16-2-DG-6B
DG8B	AL, 1 BSP	SDC16-2-DG-8B
12S	AL, #12 SAE	CP16-2-12S
16S	AL, #16 SAE	CP16-2-16S

* Aluminum bodies are to be used for pressures less than 210 bar [3000 psi].

* Additional housings available

Seal Option

Code	Seal kit
B - Buna - N	354008719
V - Viton	354008819