

Proportional Valves

XMD 04

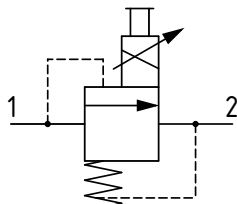
Proportional Relief Valve, Poppet Type, Direct Acting, Normally Open

250 bar [3600 psi] • 5 l/min [1.3 US gpm]

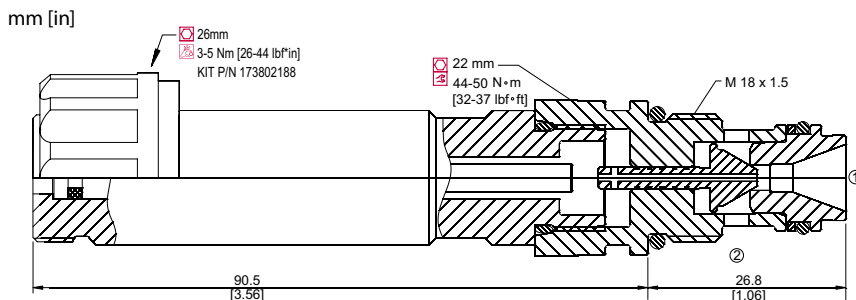
DESCRIPTION AND OPERATION

This is a direct acting, poppet type, normally open, proportional relief valve. In the de-energized condition, the pressure setting will be at a minimum. As current is applied to the coil, the pressure setting of the valve will increase proportionally. This valve is ideal for use as a pilot valve to control larger logic elements.

SCHEMATIC



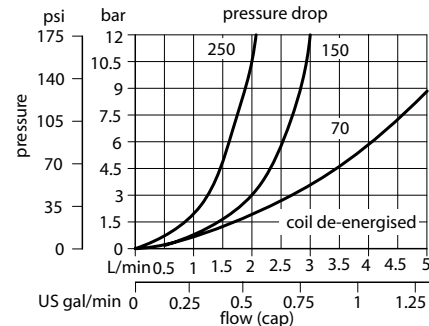
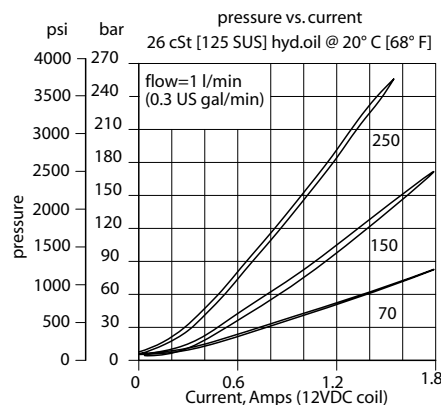
DIMENSIONS



PERFORMANCE DATA

Rated pressure	250 bar [3600 psi]
Rated flow	5 l/min [1.3 US gpm]
Maximum Hysteresis	3%
Threshold current	0 A [12 VDC coil] 0 A [24 VDC coil]
Maximum control current	1.8 A [12 VDC coil] 0.9 A [24 VDC coil]
Coil Options	M19P
Weight	0.44 kg [0.97 lb]
Cavity	NCS04/2

PERFORMANCE CURVES



MODEL CODE

XMD 04 - 70 - 24D - DE - EN - 00 - V

Max Pressure Option

Code	Pressure Range
70	3-70 bar [44-1015 psi]
150	5-150 bar [73-2176 psi]
250	7-250 bar [102-3600 psi]

Coil Voltage

00 - No coil, nut included*
12D - 12 VDC
24D - 24 VDC

*Standard Coil - Plastic coil nut and o-rings (p/n 173802188)

Connector Type

00 - No coil
AJ - AMP Junior
DE - Deutsch
DN - DIN 43650

Manual Override Option

00 - Push Pin
EN - Screw Type

Seal Option

Code	Seal kit
Omit	Buna - N 230000390
V	Viton 230000190

Housing

Code	Ports & Material	Housing Model Code
00	No housing	
DG-45	AL, #4 SAE	NCS04/2-DG-45
DG-65	AL, #6 SAE	NCS04/2-DG-65
DG-1/4	AL, 1/4 BSP	NCS04/2-DG-1/4

* Aluminum bodies are to be used for pressures less than 210 bar [3000 psi].

* Additional housings available