

ENGINEERING  
TOMORROW

*Danfoss*

June 2024 | Danfoss Climate Solutions for cooling

# TECH INSIDER





## Introduction

Danfoss Tech Insider keeps you updated with the latest news on the cooling and industrial products portfolios from Danfoss Climate Solutions. The content is intended to give a quick overview of core technical news and updates in our product portfolio, including links to relevant documentation and more information.

Danfoss Tech Insider is sent out, on a monthly basis, to ensure you are always up to date with the latest innovations and changes made to Danfoss products and solutions.

We hope you will enjoy reading Danfoss Tech Insider!

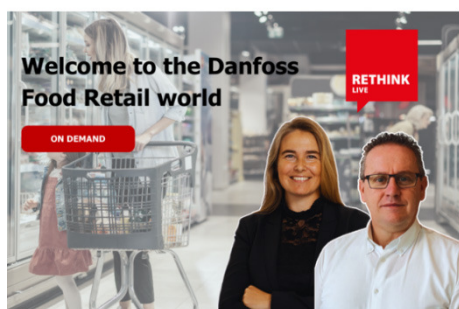
## Table of Contents

Watch Session Recordings on Our Latest CO <sub>2</sub> Products and Solutions for the Food Retail Industry.....	3
New Adapters for SFA Safety Relief Valves and DSV 10 Change-Over Valves.....	4
Full Availability of ICAD B.....	5
Storeview Web (SvW) Release 3.1.1 Will Now Add Write Capabilities for Your Danfoss ADAP-KOOL™ System Manager Series.....	5
Videos and Infograms.....	7
Details for Additional Information.....	8

## Watch Session Recordings on Our Latest CO<sub>2</sub> Products and Solutions for the Food Retail Industry

We are excited to announce the release of our latest on-demand series of food retail webinars. The sessions give insight to the latest CO<sub>2</sub> products and applications from Danfoss, covering valves, controllers, compressors, heat exchangers, heat recovery units and much more.

Sign-up for all this latest information!



### Welcome to the Danfoss Food Retail World: Addressing Market Trends with Innovative Solutions

Key highlights of the webinar include:

- Overview of Danfoss's diverse product portfolio tailored for food retail applications.
- Insights into our decarbonization efforts and transition to low GWP refrigerants like CO<sub>2</sub> and propane.

[Sign up here](#)



### What is new in CO<sub>2</sub> world? Line components and expansion valves

In this session, we'll delve into several key Danfoss products, including:

- DCR Filter Drier 90 bar
- GBC 90 bar CO<sub>2</sub>
- CCMT Updated Design
- Multi Ejector Solution™ Updated Design
- Coolselector® for CO<sub>2</sub> Applications

[Sign up here](#)



### What is new in CO<sub>2</sub> world? Compressors, pack controllers and industrial expansion valves

In this session we take a closer look at products including:

- BOCK Compressors
- COM Oil Management System
- Pack Controllers
- ICMTS 50/80 series
- New ICAD B

[Sign up here](#)



### What is new in CO<sub>2</sub> world? Heat recovery

In this session, we'll delve into the technical aspects of heat recovery unit. Specifically, we'll highlight the heat recovery unit and its new application key. Additionally, we'll demonstrate the practical application of heat recovery units using Coolselector. We will also look into H48T brazed plate heat exchanger featuring the Micro Plate™ technology for CO<sub>2</sub> applications dedicated for heat recovery in Food Retail.

[Sign up here](#)

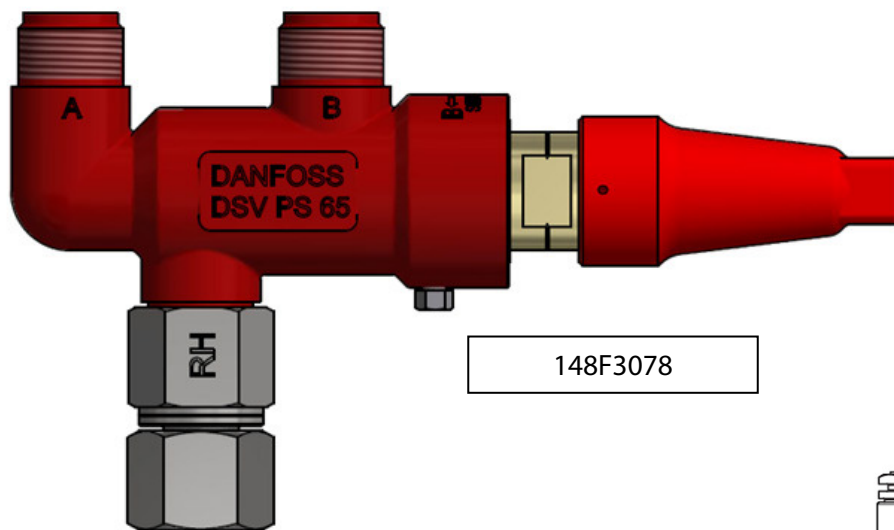
We look forward to your participation.

## New Adapters for SFA Safety Relief Valves and DSV 10 Change-Over Valves

We are pleased to announce the release of new adapters for the SFA safety relief valves and DSV 10 change-over valves.

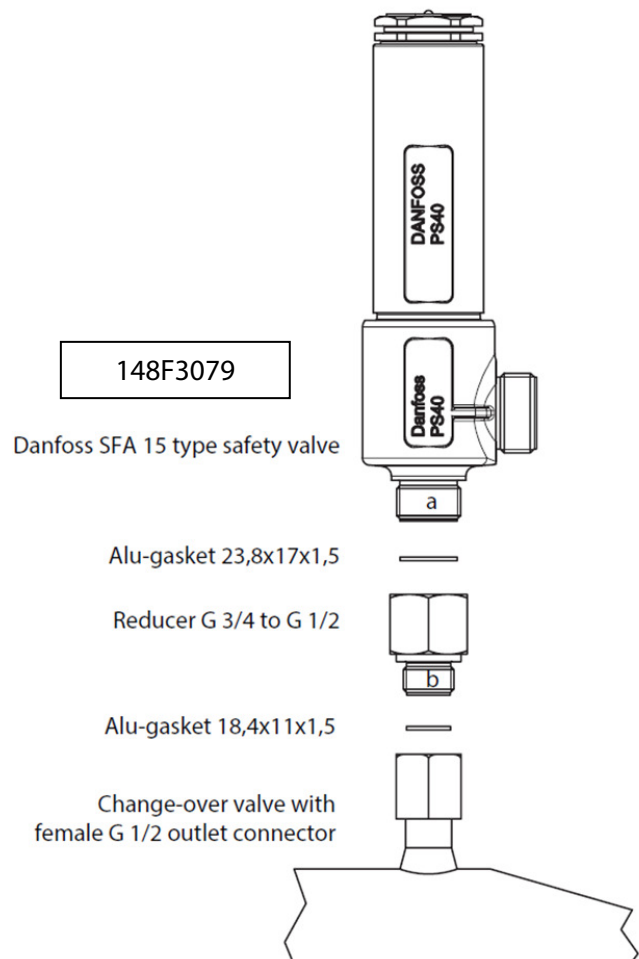
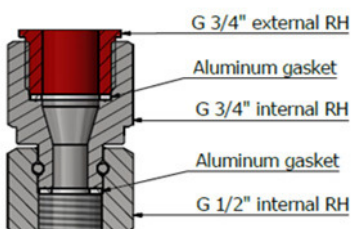
New adapters for the SFA 15 safety relief valves and DSV 10 change-over valves simplify mounting and retrofit in bigger number of applications.

**148F3078** is an adapter for the DSV 10 inlet. It allows for the mounting of the change-over valve inlet (male G3/4") with male G1/2" connectors in the application. The set contains aluminium gaskets for both ends.



**148F3079** is an adapter for the SFA 15 inlet with G3/4" thread. It allows the SFA valve to be mounted with female G1/2" outlets of change-over valves. The set contains aluminium gaskets for both ends.

It enables SFA 15 valves to be installed on competitors change-over valves with female G1/2" outlets. It simplifies retrofitting/replacing of safety valves that are in operation and need service.



## Full Availability of ICAD B

We are pleased to announce that after release of the new ICAD B globally, we are now ready for the next step and will make it available with a short lead time.



As the industrial refrigeration industry embarks toward digital transformation, and with the introduction of the new ICAD B – taking motorized valves control and connectivity to a new level, we now also want to make it a very easy choice to get the ICAD B.

### Availability

Going forward we have decided to shorten the Standard Lead Time (SLT) on ICAD B so that we will have a maximum SLT for 10-15 days depending on the model.

- SLT for ICAD B without Ethernet connection 10 days (shorter if possible)
- SLT for ICAD B with Ethernet connection 15 days (shorter if possible)

We will at the same time change the SLT for ICAD A to 40 days.

## New generation of ICAD B

If you are still not fully familiar with the new ICAD B and all its benefits please visit our landing page for ICAD B [ICAD B Motorized valve control | Danfoss](#)

## Storeview Web (SvW) Release 3.1.1 Will Now Add Write Capabilities for Your Danfoss ADAP-KOOL™ System Manager Series



Danfoss is pleased to announce that a new version of Storeview Web (SvW) is available, version 3.1.1. The main highlights of this release include improvements for copy and layout wizards, updated support for session control coming with release 4.0 of AK-SM 800A, improved stability on desktop app and various bug fixes.

### Description

Version 3.1.1. does not introduce major new functionality, but the following features has been added or improved as part of the release.

### Layout & Copy Wizard

- Searchable drop down added
- New warning in Suction Group mapping screen for AK2 multi case.
- For refrigeration copy wizard copy status has been added on the last page of the wizard (#1154573)
- UI updates for suction group mapping in refrigeration layout wizard (#1244816+#1156892)
- For layout wizards, inconsistencies in “load settings from file” functionality has been corrected (#1152014)



- Session control adjustments for completion of layout and copy wizards (#1261664)
- For refrigeration layout wizard, response time has been optimized for typing device name (#1184229)
- For refrigeration layout wizard, max number of suction groups adjusted to 12 (#1154560)
- For refrigeration layout wizard, issues when adding offline pack controllers in existing layout has been fixed (#1152004)
- For refrigeration layout wizard, issues when adding/deleting pack controllers and AK-IO devices in existing layout has been fixed (#1154593)

#### **Asset detail screen:**

- Automatic scaling of y-axis in equipment graphs
- Add status information to case detail screen

#### **General:**

- Remove Certificate Warning

Besides that, the following bugs have been fixed with release 3.1.1

- #1178647: Inconsistencies in history graph corrected (SF: 14464032)
- #1244192: Fixed issue of equipment screen missing data for energy meters
- #1311256: Inconsistencies in configuration menu when a case controller is deleted has been fixed.
- #1287419: UI updates for graphing data on equipment screens.
- #1276277+#1076653: Issues with viewing past data on equipment screen has been fixed.
- #1135943: Delays in updating data on equipment screen fixed.
- #1255024: Symbols on equipment screen is now live updating according to input status
- #1156275: For HVAC copy wizard the *Browse* button is replaced by a *Select Device* dropdown
- #1217231: Updated information for switching to HTTP mode
- #784140: Parameter values on the *Status* section of devices details updated to Read-Only
- #525361: Energy meter network address is now editable by user.
- #1224210: UI updates for consistency on smaller devices.
- #1154285: Inconsistencies in SW update flow corrected.
- #1231974: Security Compliance - Warning message added when updating from 3.x to 4.x or above on AK-SM 800A
- #1229354: Inconsistencies in time and date setting has been corrected.

#### **Timing and Availability**

Storeview Web (3.1.1) is released from Danfoss on May 22<sup>nd</sup> 2024, but may take up to 24 hours to take effect depending on browser versions.

Storeview Web (3.1.1) is available via browser (svw.danfoss.com) and via desktop app, available from same location. Please note that Storeview Web requires connectivity to your System Manager.

#### **Affected products**

StoreView Web supports:

- AK-SM 800 series (Recommended VG08.095 and above)
- AK-SM 800A series (Recommended R3.0.12 spk and above)

#### **More information**

More information and news about the current and future updates can be found on [Danfoss.com](https://www.danfoss.com).

## Videos and Infograms

BOCK – product intro videos:

- Danfoss BOCK® StarCO2mpressor | New milestone in electric bus and rail air conditioning - [LINK](#)
- BOCK® CO<sub>2</sub> compressor - Transcritical and subcritical CO<sub>2</sub> - [LINK](#)
- BOCK® LG compressor range - [LINK](#)
- Danfoss BOCK® HG88e and MexxFlow | High capacity, low energy use - [LINK](#)

Infograms:

- How to install your Danfoss Condensing Unit - [LINK](#)
- Condensing unit quick-selection guide for cold rooms - [LINK](#)
- Danfoss Optyma™ outdoor condensing units: features and benefits - [LINK](#)
- Pressure transmitters - [LINK](#)
- How to plan piping like a master - [LINK](#)
- How to run pipe like a master - [LINK](#)
- Two-stage ammonia plant with intermediate cooler (principle diagram) - [LINK](#)



## Details for Additional Information

### UK/IE

[Cooling United Support Hub](#)

[Support Made Easy](#)

[customerservice.uk@danfoss.com](mailto:customerservice.uk@danfoss.com)

[customerservice.ie@danfoss.com](mailto:customerservice.ie@danfoss.com)

Customer Service UK & IE tel: 0330 808 6888

### Denmark

[Cooling United Support Hub](#)

[Support Made Easy](#)

[kundeservice.dk@danfoss.com](mailto:kundeservice.dk@danfoss.com)

Kundeservice tel: 69 91 80 80

### Norway

[Cooling United Support Hub](#)

[Support Made Easy](#)

[kundeservice.no@danfoss.com](mailto:kundeservice.no@danfoss.com)

Kundeservice tel: 23 96 71 00

### Sweden

[Cooling United Support Hub](#)

[Support Made Easy](#)

[kundserservice.se@danfoss.com](mailto:kundserservice.se@danfoss.com)

Kundserservice tel: 010 888 7400

### Finland

[Cooling United Support Hub](#)

[Support Made Easy](#)

[asiakaspalvelu.fi@danfoss.com](mailto:asiakaspalvelu.fi@danfoss.com)

Asiakaspalvelu puh: 0753 251 100

### Estonia

[klienditeenindus.ee@danfoss.com](mailto:klienditeenindus.ee@danfoss.com)

Klienditeenindus tel: +372 6681 380

### Latvia

[klientuserviss.lv@danfoss.com](mailto:klientuserviss.lv@danfoss.com)

Klientu serviss tel: +371 6733 9166

### Lithuania

[klientucentras.lt@danfoss.com](mailto:klientucentras.lt@danfoss.com)

Klientų centras tel: +370 5214 0043