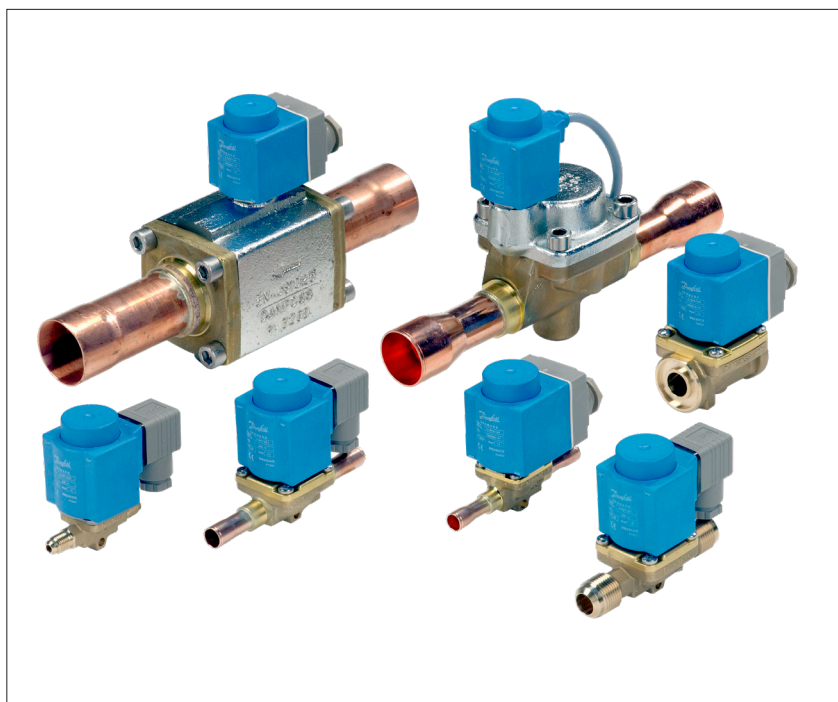


Data sheet - Spare parts and accessories

## Solenoid valve

Types EVR 2 - EVR 40 (Version 1 and Version 2)



EVR spare parts are categorized to 4 types of kits to renovate the valves with least expense and most accuracy.

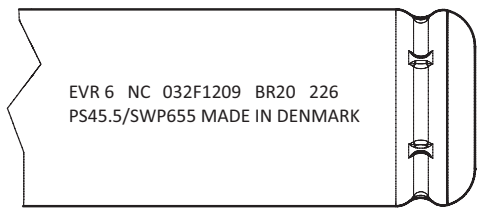
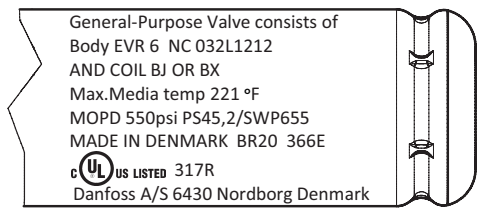
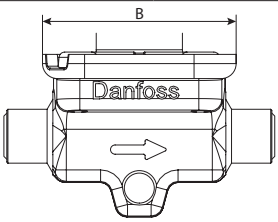
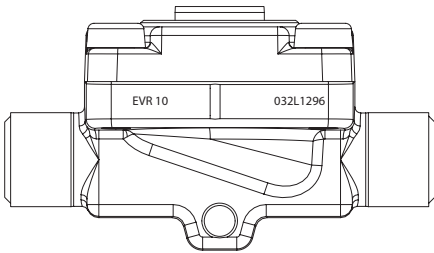
This data sheet cover spare parts and accessories for both EVR Version 1 and EVR Version 2.

- **Seal kit**  
consists of all the sealing parts of the corresponding valves
- **Service kit**  
consists of all the replaceable function parts of the corresponding diaphragm valves
- **Piston service kit**  
consists of piston related function parts; only for piston valves
- **Pilot service kit**  
consists of pilot related function parts only for piston valves

**Table of contents**

How to identify the version of the EVR solenoid valve.....	2
Spare part overview .....	2
<b>EVR version 1</b>	
EVR 2 - EVR 3 .....	3
EVR 4 - EVR 6 - EVR 8 .....	4
EVR 10 .....	5
EVR 15 - EVR 18 .....	6
EVR 20 - EVR 22 .....	8
EVR 25 .....	10
EVR 32 - EVR 40 .....	11
EVRC .....	12
EVRH 10 - EVRH 20.....	13
EVRH 25 .....	14
<b>EVR version 2</b>	
EVR 2 - EVR 3 .....	17
EVR 4 - EVR 6 - EVR 8 .....	18
EVR 10 .....	19
EVR 15 - EVR 18 .....	20
EVR 20 - EVR 22 .....	21
EVR 25 .....	22
EVR 32 .....	24
EVR 40 .....	26

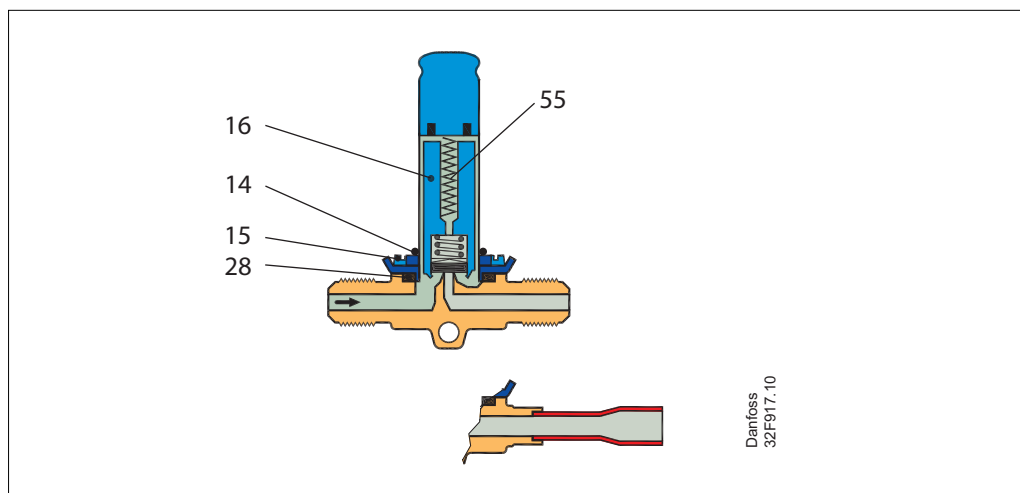
**How to identify the version of the EVR solenoid valve**

	<b>EVR version 1</b>	<b>EVR version 2</b>																
Product name	EVR, EVRE, EVRH, EVRC	EVR, EVRC																
Code number	032F.., 032G.., 042H..	032L..																
ID marking on armature																		
ID marking on housing	 <table border="1" data-bbox="456 1630 951 1890"> <thead> <tr> <th>Type</th> <th>B [mm]</th> </tr> </thead> <tbody> <tr> <td><b>EVR 2 - EVR 3</b></td> <td>34</td> </tr> <tr> <td><b>EVR 4 - EVR 6 - EVR 8</b></td> <td>34</td> </tr> <tr> <td><b>EVR 10</b></td> <td>44</td> </tr> <tr> <td><b>EVR 15 - EVR 18</b></td> <td>53</td> </tr> <tr> <td><b>EVR 20 - EVR 22</b></td> <td>70</td> </tr> <tr> <td><b>EVR 25</b></td> <td>82</td> </tr> <tr> <td><b>EVR 32 - EVR 40</b></td> <td>104</td> </tr> </tbody> </table>	Type	B [mm]	<b>EVR 2 - EVR 3</b>	34	<b>EVR 4 - EVR 6 - EVR 8</b>	34	<b>EVR 10</b>	44	<b>EVR 15 - EVR 18</b>	53	<b>EVR 20 - EVR 22</b>	70	<b>EVR 25</b>	82	<b>EVR 32 - EVR 40</b>	104	 <p><b>Laser marking on valve body, sizes EVR 2 - EVR 22:</b> EVR + size + code number.</p>
Type	B [mm]																	
<b>EVR 2 - EVR 3</b>	34																	
<b>EVR 4 - EVR 6 - EVR 8</b>	34																	
<b>EVR 10</b>	44																	
<b>EVR 15 - EVR 18</b>	53																	
<b>EVR 20 - EVR 22</b>	70																	
<b>EVR 25</b>	82																	
<b>EVR 32 - EVR 40</b>	104																	

**Spare part overview**

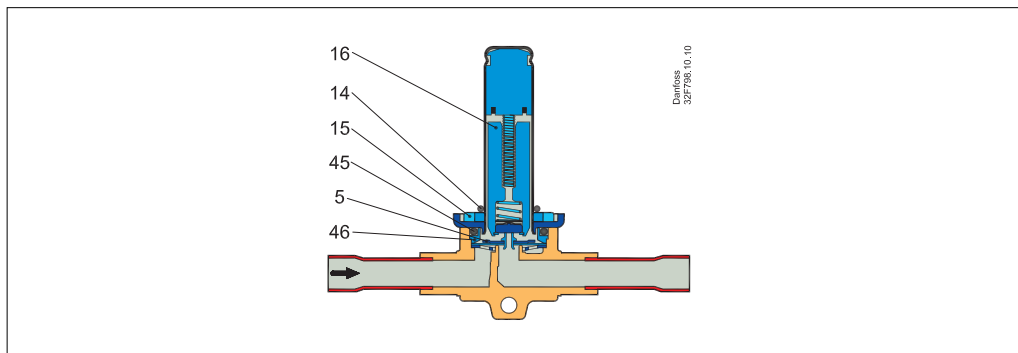
EVR size	EVR version 1	EVR version 2	Description
<b>EVR 2 - EVR 3</b>	032F..		EVR 2 - EVR 3 spare part kits remain unchanged
<b>EVR 4 - EVR 22</b>	032F.., 032G..	032L..	EVR 4 - EVR 22 use new specialized spare part kits
<b>EVR 25 - EVR 40</b>	032F.., 042H..		EVR 25 - EVR 40 spare part kits remain unchanged

**EVR 2 - EVR 3 (NC)**  
Version 1



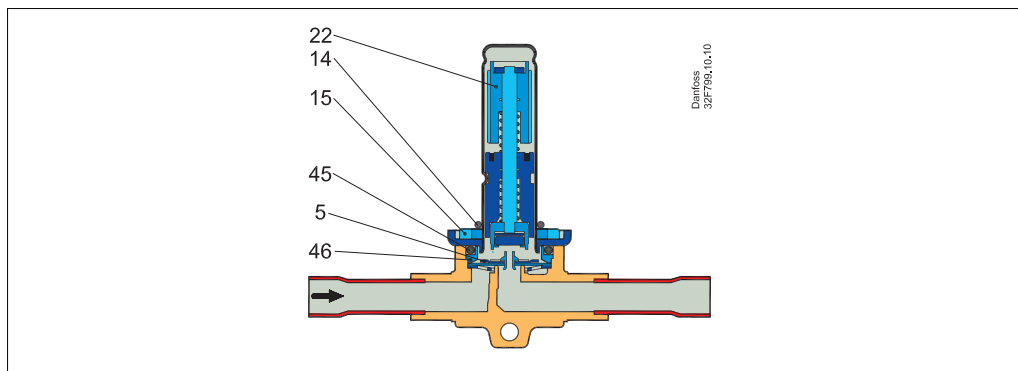
Type	Description	Pos. #	Qty.	Code no.
<b>Service kit (AC)</b>				
<b>EVR 2 and 3 (NC)</b>	O-ring	14	1	<b>032F0181</b>
	Screw	15	4	
	Armature assembly	16	1	
	Rubber gasket	28	1	
	Compress spring	55	1	

**EVR 4 - EVR 6 - EVR 8 (NC)  
Version 1**



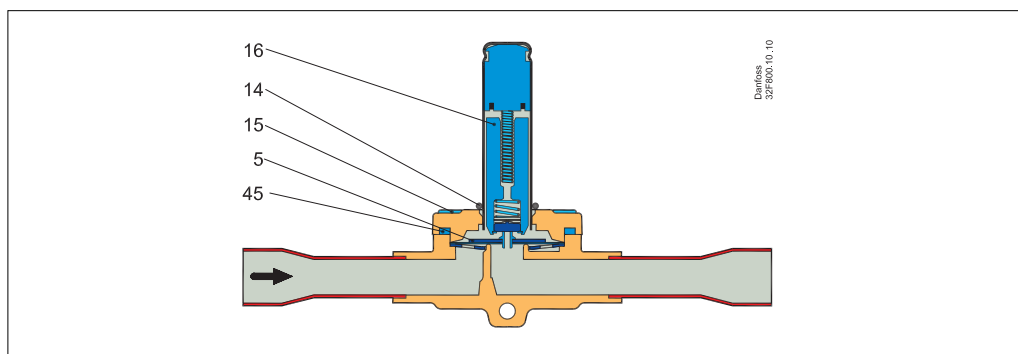
Type	Description	Pos. #	Qty.	Code no.
<b>Seal kit</b>				
<b>EVR 4, 6, and 8 (NC)</b>	O-ring for armature tube	14	1	<b>032F8165</b>
	Rubber gasket	45	1	
	O-ring for steel cover	45	1	
	Support ring	46	1	
<b>Service kit (AC)</b>				
<b>EVR 4, 6, and 8 (NC)</b>	Diaphragm assembly	5	1	<b>032F8166</b>
	O-ring for armature tube	14	1	
	Screw T20	15	4	
	Screw T15	15	4	
	Armature assembly	16	1	
	Rubber gasket	45	1	
	O-ring for steel cover	45	1	
	Support ring	46	1	
	Compress spring	55	1	

**EVR 6 - EVR 8 (NO)  
Version 1**



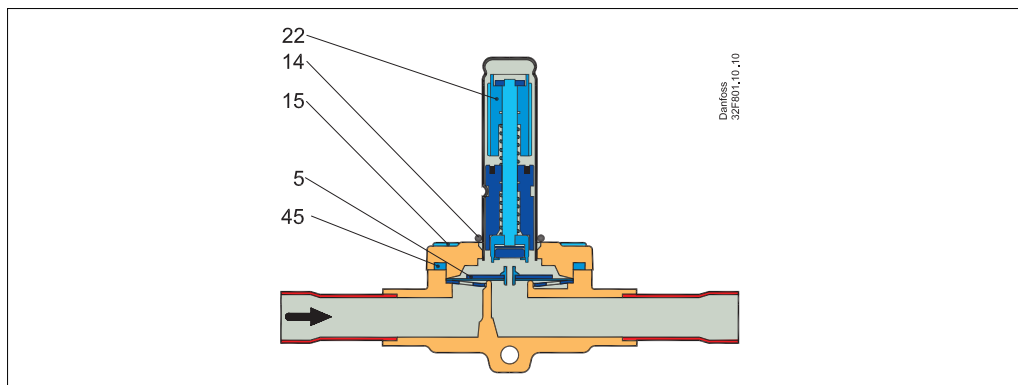
Type	Description	Pos. #	Qty.	Code no.
<b>Seal kit</b>				
<b>EVR 6 and 8 (NO)</b>	O-ring for armature tube	14	1	<b>032F8165</b>
	Rubber gasket	45	1	
	O-ring for steel cover	45	1	
	Support ring	46	1	
<b>Service kit - Steel cover design</b>				
<b>EVR 6 and 8 (NO)</b>	Diaphragm assembly	5	1	<b>032F8167</b>
	O-ring	14	1	
	Screw	15	4	
	Armature assembly (NO)	22	1	
	O-ring	45	1	
	Support ring	46	1	

**EVR 10 (NC)  
Version 1**



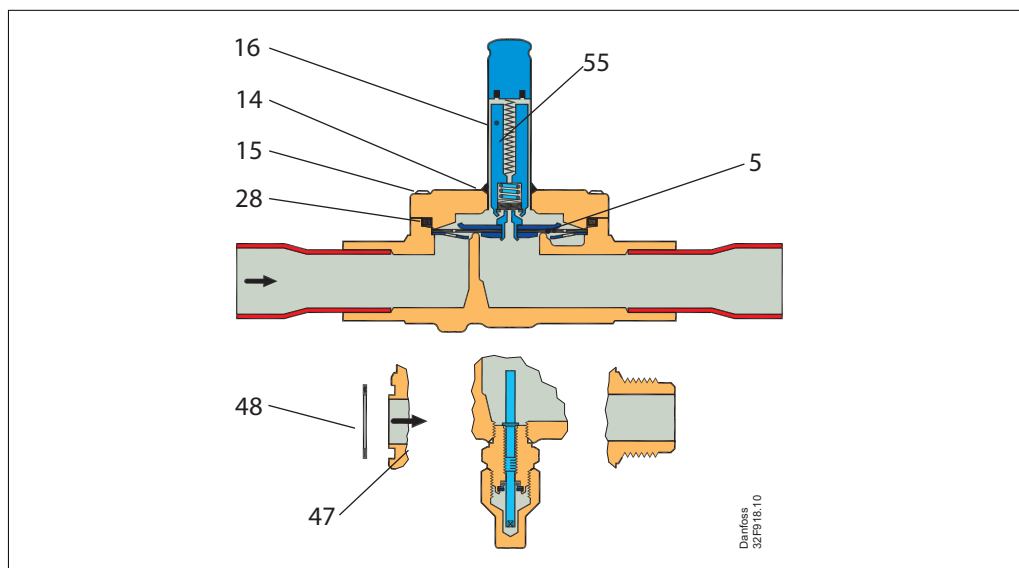
Type	Description	Pos. #	Qty.	Code no.
<b>Seal kit</b>				
EVR 10 (NC)	O-ring, Armature tube	14	1	032F8196
	Rubber gasket	45	1	
<b>Service kit (AC)</b>				
EVR 10 (NC)	Diaphragm assembly	5	1	032F0185
	O-ring	14	1	
	Screw	15	4	
	Armature assembly	16	1	
	Rubber gasket	45	1	
	Compress spring	55	1	

**EVR 10 (NO)  
Version 1**



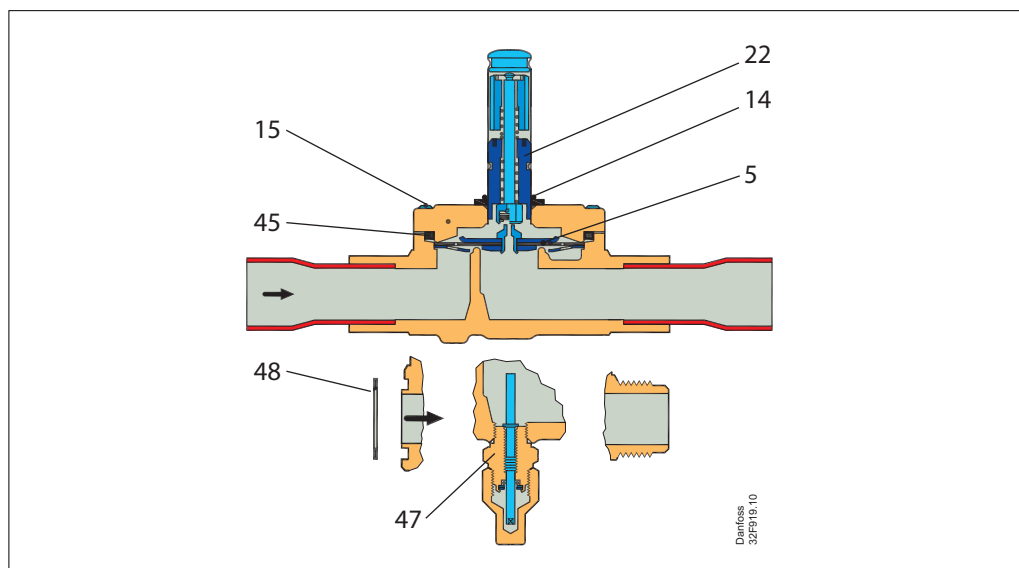
Type	Description	Pos. #	Qty.	Code no.
<b>Seal kit</b>				
EVR 10 (NO)	O-ring, Armature tube	14	1	032F8196
	Rubber gasket	45	1	
<b>Service kit (AC)</b>				
EVR 10 (NO)	Diaphragm assembly	5	1	032F0186
	O-ring	14	1	
	Screw	15	4	
	Armature assembly (NO)	22	1	
	Rubber gasket	45	1	

**EVR 15 - EVR 18 (NC)**  
Version 1



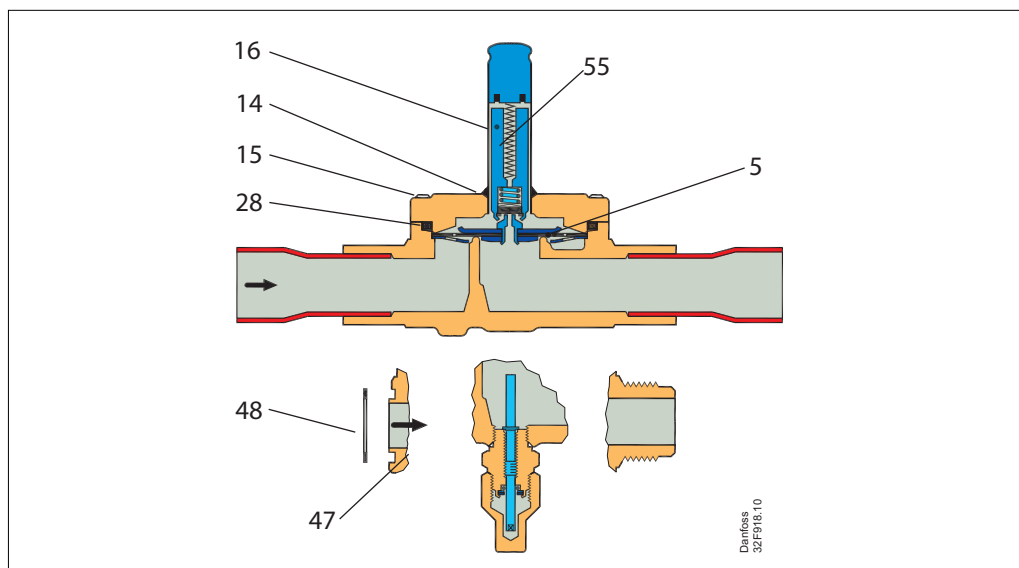
Type	Description	Pos. #	Qty.	Code no.
<b>Seal kit</b>				
<b>EVR 15 and 20 (NC)</b>	O-ring for armature tube	14	1	<b>032F8196</b>
	Rubber gasket (EVR 15)	28	1	
	Rubber gasket (EVR 20)	28	1	
	Packing (refrigeration gasket) (EVR 20)	48	2	
	Refrigeration gasket (EVR 15)	48	2	
<b>Service kit</b>				
<b>EVR 15 and 18 (NC)</b>	Diaphragm assembly	5	1	<b>032F0187</b>
	O-ring	14	1	
	Screw	15	4	
	Armature assembly	16	1	
	Rubber gasket	28	1	
	Refrigeration gasket	48	2	
	Compress spring	55	1	

**EVR 15 - EVR 18 (NO)**  
Version 1



Type	Description	Pos. #	Qty.	Code no.
<b>Seal kit</b>				
<b>EVR 15 and 20 (NO)</b>	O-ring for armature tube	14	1	<b>032F8196</b>
	Rubber gasket (EVR 15)	45	1	
	Rubber gasket (EVR 20)	45	1	
	Packing (refrigeration gasket) (EVR 20)	48	2	
	Refrigeration gasket (EVR 15)	48	2	
<b>Service kit</b>				
<b>EVR 15 and 18 (NO)</b>	Diaphragm assembly	5	1	<b>032F0188</b>
	O-ring	14	1	
	Screw	15	4	
	Armature assembly (NO)	22	1	
	Rubber gasket	45	1	
	Refrigeration gasket	48	1	

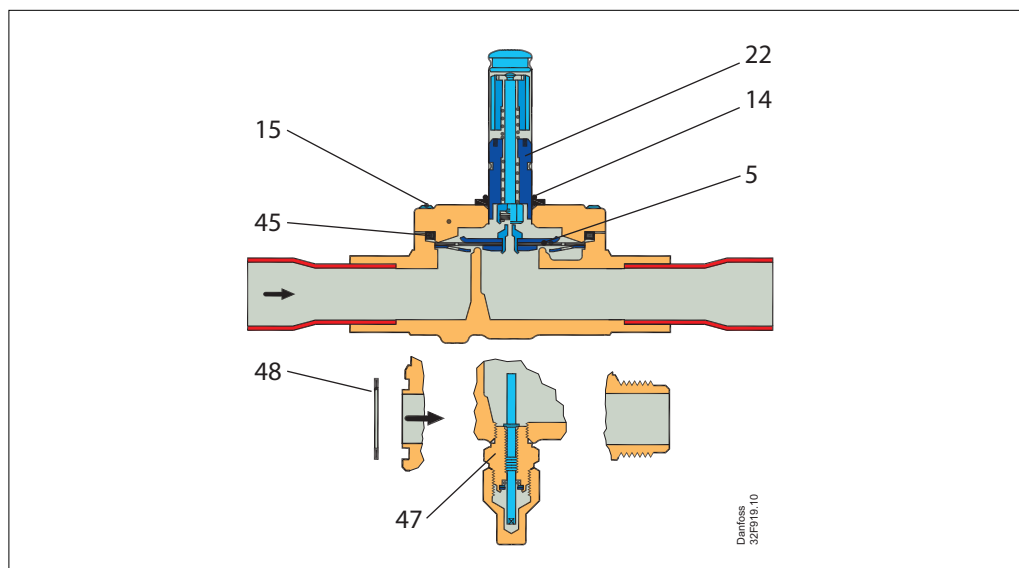
**EVR 20 - EVR 22 (NC)**  
Version 1



Type	Description	Pos. #	Qty.	Code no.
<b>Seal kit</b>				
EVR 20 and 22 (NC)	O-ring for armature tube	14	1	032F8196
	Rubber gasket (EVR 20 - EVR 22)	28	1	
	Packing (refrigeration gasket) (EVR 20)	48	2	
<b>Service kit (AC)</b>				
EVR 20 and 22 (NC)	Diaphragm assembly	5	1	032F0189
	O-ring	14	1	
	Screw	15	4	
	Armature assembly	16	1	
	Rubber gasket	28	1	
	Refrigeration gasket	48	1	
	Compress spring	55	1	
<b>Service kit (DC)</b>				
EVR 20 and 22 (NC)	Diaphragm assembly	5	1	032F0191
	O-ring	14	1	
	Screw	15	4	
	Armature assembly	16	1	
	Rubber gasket	28	1	
	Refrigeration gasket	48	1	
	Compress spring	55	1	
<b>Manual spindle</b>				
EVR 20 and 22 (NC)	Spindle assembly	47	1	032F0193

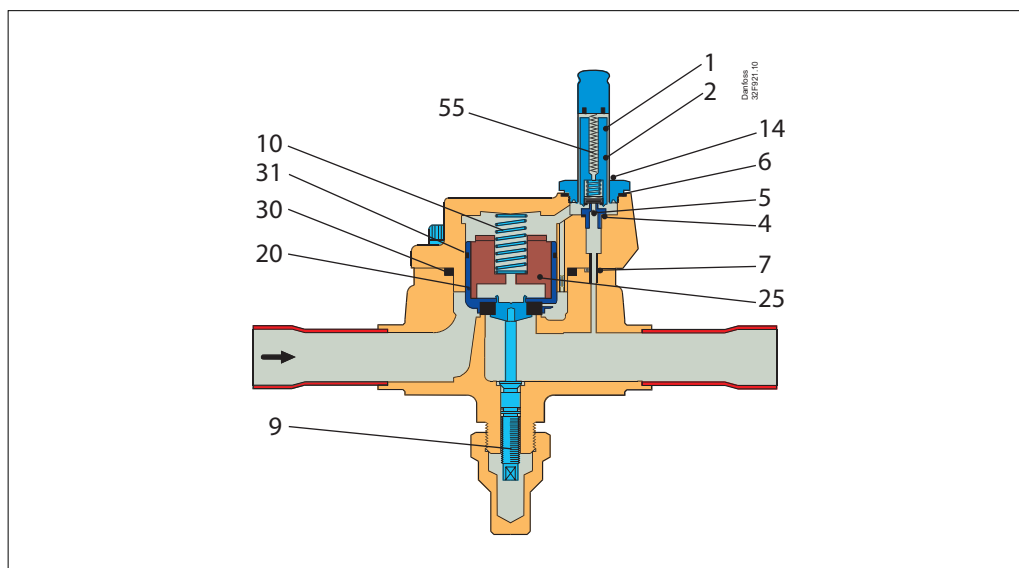


**EVR 20 - EVR 22 (NO)**  
Version 1



Type	Description	Pos. #	Qty.	Code no.
<b>Seal kit</b>				
<b>EVR 20 and 22 (NO)</b>	O-ring for armature tube	14	1	<b>032F8196</b>
	Rubber gasket (EVR 20)	45	1	
	Packing (refrigeration gasket) (EVR 20)	48	2	
<b>Service kit</b>				
<b>EVR 20 and 22 (NO)</b>	Diaphragm assembly	5	1	<b>032F0182</b>
	O-ring	14	1	
	Screw	15	4	
	Armature unit assembly (NO)	22	1	
	Rubber gasket	45	1	
	Refrigeration gasket	48	2	
<b>Manual spindle</b>				
<b>EVR 20 and 22 (NO)</b>	Spindle assembly	47	1	<b>032F0193</b>

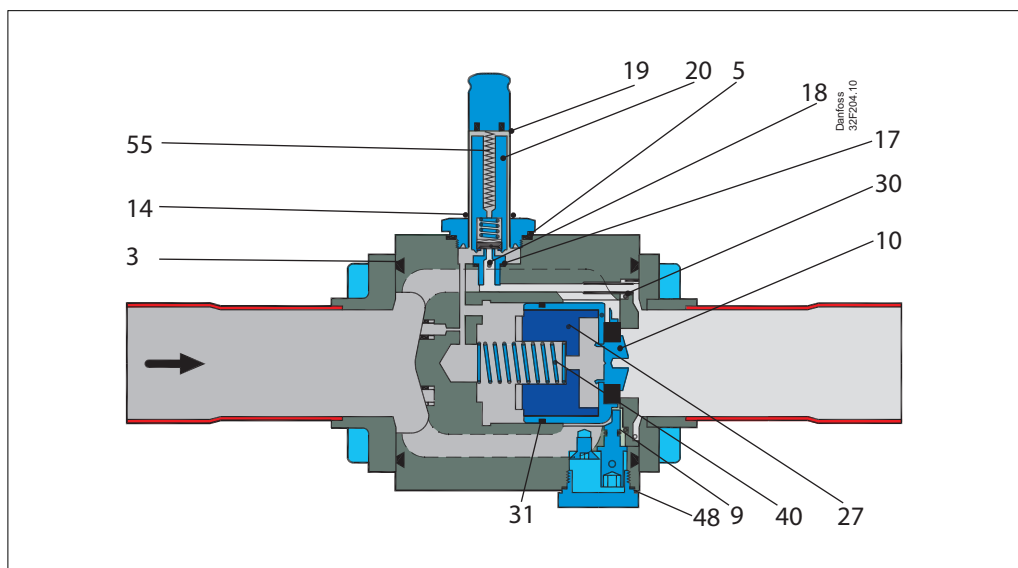
**EVR 25 (NC)**  
Version 1



Type	Description	Pos. #	Qty.	Code no.
<b>Seal kit</b>				
<b>EVR 25 (NC)</b>	Al. gasket	4	1	<b>032F2326</b>
	Al. gasket	6	1	
	O-ring	7	1	
	O-ring	9	1	
	O-ring	14	1	
	Rubber gasket	30	1	
<b>Piston service kit</b>				
<b>EVR 25 (NC)</b>	O-ring	7	1	<b>032F3236</b>
	Compression spring	10	1	
	O-ring	14	1	
	Piston assembly	20	1	
	Insert block	25	1	
	Rubber gasket	30	1	
	Piston ring	31	1	
<b>Pilot service kit</b>				
<b>EVR 25 (NC)</b>	Armature assembly	1	1	<b>042H0165</b>
	Armature tube	2	1	
	Al. gasket	4	1	
	Nozzle	5	1	
	Al. gasket	6	1	
	O-ring	14	1	
	Compression spring	55	1	

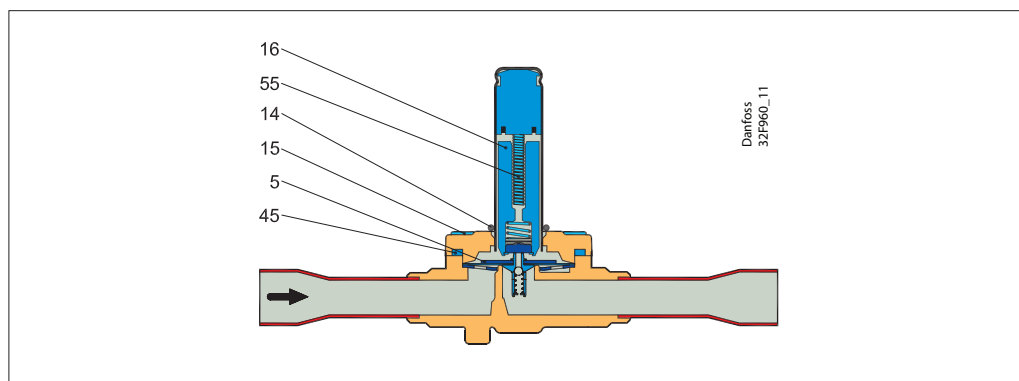
**Note!**  
All code nos. are valid for EVR 25 with stainless steel piston as well as for EVR 25 with cast iron piston.

**EVR 32 - EVR 40 (NC)**  
Version 1



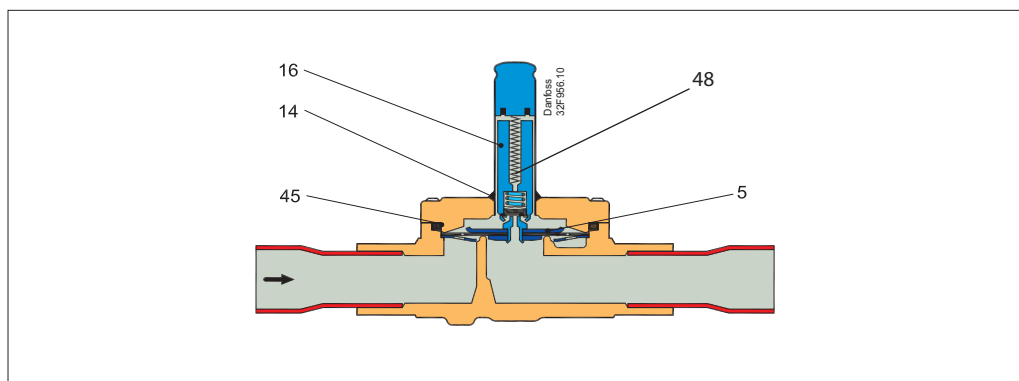
Type	Description	Pos. #	Qty.	Code no.
<b>Seal kit</b>				
<b>EVR 32 - EVR 40 (NC)</b>	O-ring	3	2	<b>032F2327</b>
	Al. gasket	5	1	
	O-ring	9	1	
	O-ring	14	1	
	Al. gasket	17	1	
<b>Piston service kit</b>				
<b>EVR 32 - EVR 40 (NC)</b>	O-ring	3	2	<b>042H0172</b>
	Al. gasket	5	1	
	O-ring	9	1	
	Piston assembly	10	1	
	O-ring	14	1	
	Insert block	27	1	
	O-ring	30	1	
	Piston ring	31	1	
	Compression spring	40	1	
Refrigeration gasket	48	1		
<b>Pilot service kit</b>				
<b>EVR 32 - EVR 40 (NC)</b>	Al. gasket	5	1	<b>042H0165</b>
	O-ring	14	1	
	Al. gasket	17	1	
	Orifice	18	1	
	Armature tube	19	1	
	Armature assembly	20	1	
	Compression spring	55	1	

**EVRC 20 (NC)**  
Version 1



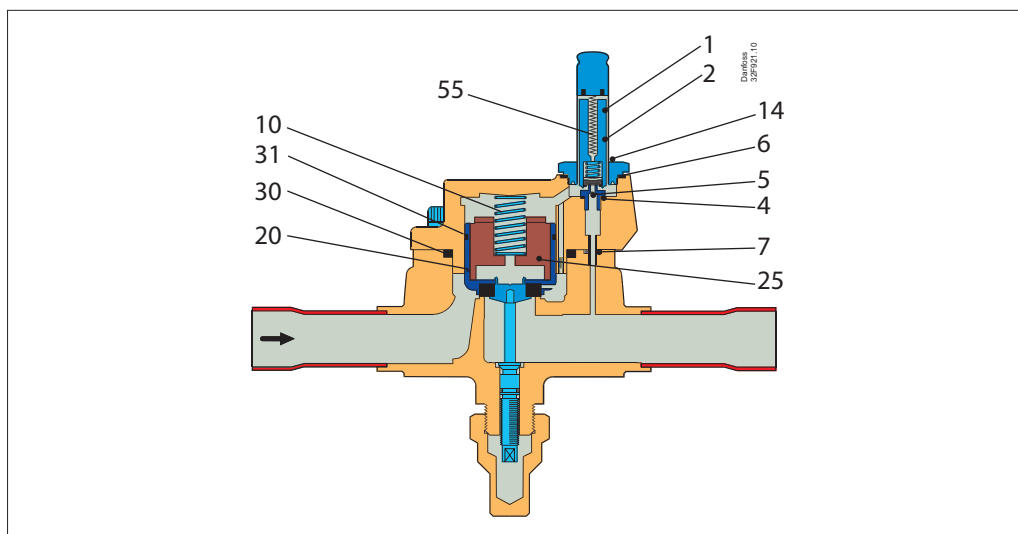
Type	Description	Pos. #	Qty.	Code no.
<b>Service kit</b>				
<b>EVRC 20 (NC)</b>	Diaphragm assembly	5	1	<b>032F0296</b>
	O-ring	14	1	
	Screw	15	4	
	Armature assembly	16	1	
	Rubber gasket	45	1	
	Compression spring	55	1	

**EVRH 10 - EVR 20 (NC)**  
Version 1



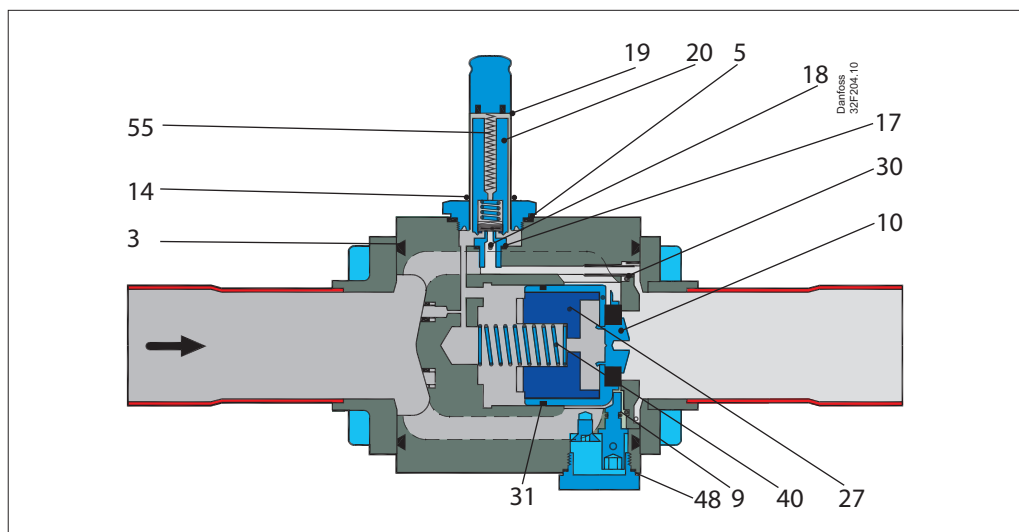
Type	Description	Pos. #	Qty.	Code no.
<b>Seal kit</b>				
<b>EVRH 10 – 20 (NC)</b>	Packing (refrigeration gasket) (EVRH 20)	-	2	<b>032F8196</b>
	Refrigeration gasket (EVRH 15)	-	2	
	O-ring, Armature tube	14	1	
	Rubber gasket (EVRH 10)	45	1	
	Rubber gasket (EVRH 15-18)	45	1	
	Rubber gasket (EVRH 20)	45	1	
<b>Service kit</b>				
<b>EVRH 10 – 20 (NC)</b>	Diaphragm assembly (EVRH 6)	5	1	<b>032G1090</b>
	Diaphragm assembly (EVRH 10)	5	1	
	Diaphragm assembly (EVRH 15)	5	1	
	Diaphragm assembly (EVRH 20)	5	1	
	O-ring	14	1	
	Armature assembly (Teflon)	46	1	
	Rubber gaskets (EVRH 6)	45	1	
	Rubber gaskets (EVRH 10)	45	1	
	Rubber gaskets (EVRH 15)	45	1	
	Rubber gaskets (EVRH 20)	45	1	

**EVRH 25 (NC)**  
Version 1



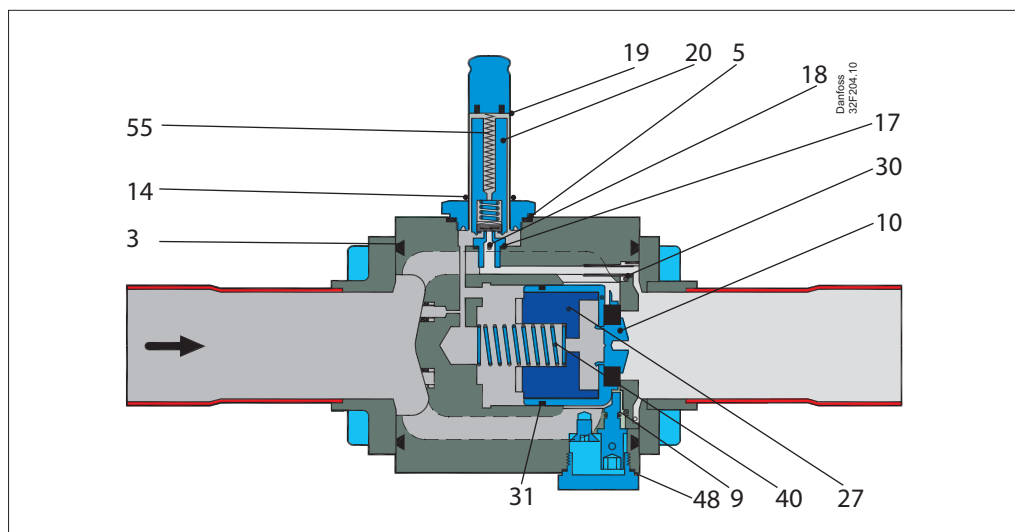
Type	Description	Pos. #	Qty.	Code no.
<b>Seal kit</b>				
<b>EVRH 25 (NC)</b>	Al. gasket	4	1	<b>032F2326</b>
	Al. gasket	6	1	
	O-ring	7	1	
	O-ring	14	1	
	Rubber gasket	30	1	
<b>Piston service kit</b>				
<b>EVRH 25 (NC)</b>	O-ring	7	1	<b>032F3236</b>
	Compression spring	10	1	
	O-ring	14	1	
	Piston assembly	20	1	
	Insert block	25	1	
	Rubber gasket	30	1	
<b>Pilot service kit</b>	Armature assembly	1	1	<b>042H0165</b>
	Armature tube	2	1	
	Al. gasket	4	1	
	Nozzle	5	1	
	Al. gasket	6	1	
	O-ring	14	1	
	Compression spring	55	1	

**EVRH 32 (NC)**  
with cast iron piston and  
piston ring  
Version 1



Type	Description	Pos. #	Qty.	Code no.
<b>Seal kit</b>				
<b>EVRH 32 (NC)</b>	O-ring	3	2	<b>032F2327</b>
	Al. gasket	5	1	
	O-ring	9	1	
	O-ring	14	1	
	Al. gasket	17	1	
<b>Piston service kit</b>				
<b>EVRH 32 (NC)</b>	O-ring	3	2	<b>042H0172</b>
	Al. gasket	5	1	
	O-ring	9	1	
	Piston assembly	10	1	
	O-ring	14	1	
	Insert block	27	1	
	O-ring	30	1	
	Piston ring	31	1	
	Compression spring	40	1	
Refrigeration gasket	48	1		
<b>Pilot service kit</b>				
<b>EVRH 32 (NC)</b>	Al. gasket	5	1	<b>042H0165</b>
	O-ring	14	1	
	Al. gasket	17	1	
	Orifice	18	1	
	Armature tube	19	1	
	Armature assembly	20	1	
	Compression spring	55	1	

**EVRH 40 (NC)  
with cast iron piston and  
piston ring  
Version 1**

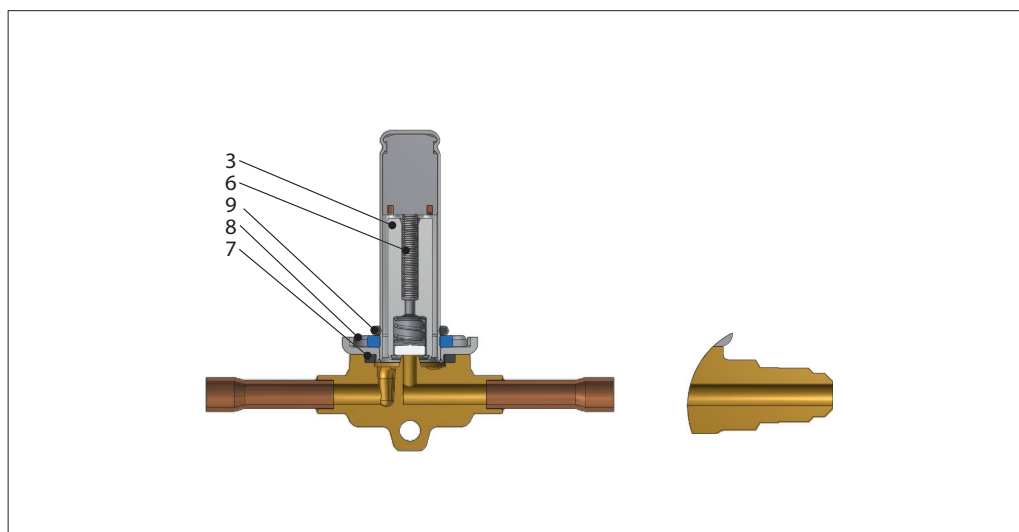


Type	Description	Pos. #	Qty.	Code no.
<b>Seal kit</b>				
EVRH 40 (NC)	O-ring	3	2	032F2327
	Al. gasket	5	1	
	O-ring	9	1	
	O-ring	14	1	
	Al. gasket	17	1	
<b>Piston service kit</b>				
EVRH 40 (NC)	O-ring	3	2	042H0173
	Al. gasket	5	1	
	O-ring	9	1	
	Piston assembly	10	1	
	O-ring	14	1	
	Insert block	27	1	
	O-ring	30	1	
	Piston ring	31	1	
	Compression spring	40	1	
Refrigeration gasket	48	1		
<b>Pilot service kit</b>				
EVRH 40 (NC)	Al. gasket	5	1	042H0165
	O-ring	14	1	
	Al. gasket	17	1	
	Orifice	18	1	
	Armature tube	19	1	
	Armature assembly	20	1	
	Compression spring	55	1	



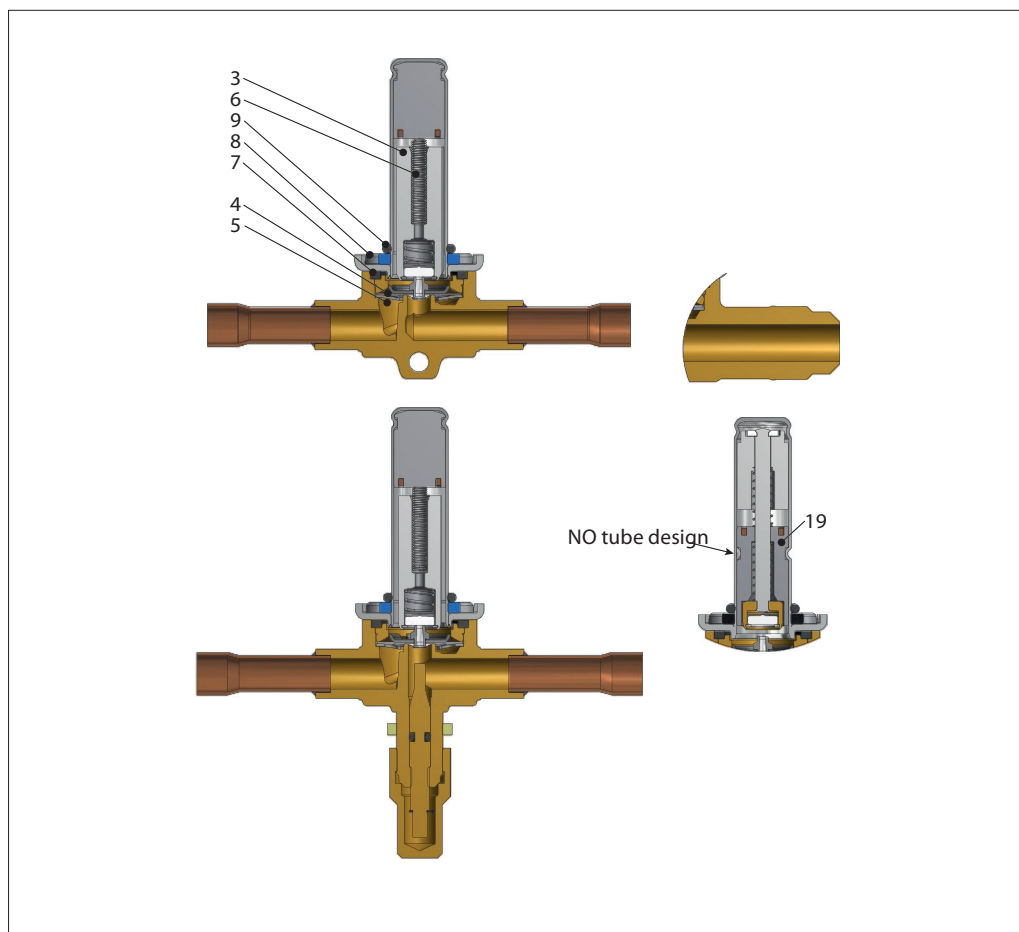
**EVR 2 - EVR 3 (NC)  
Version 2**

The service kits are shared  
with Version 1



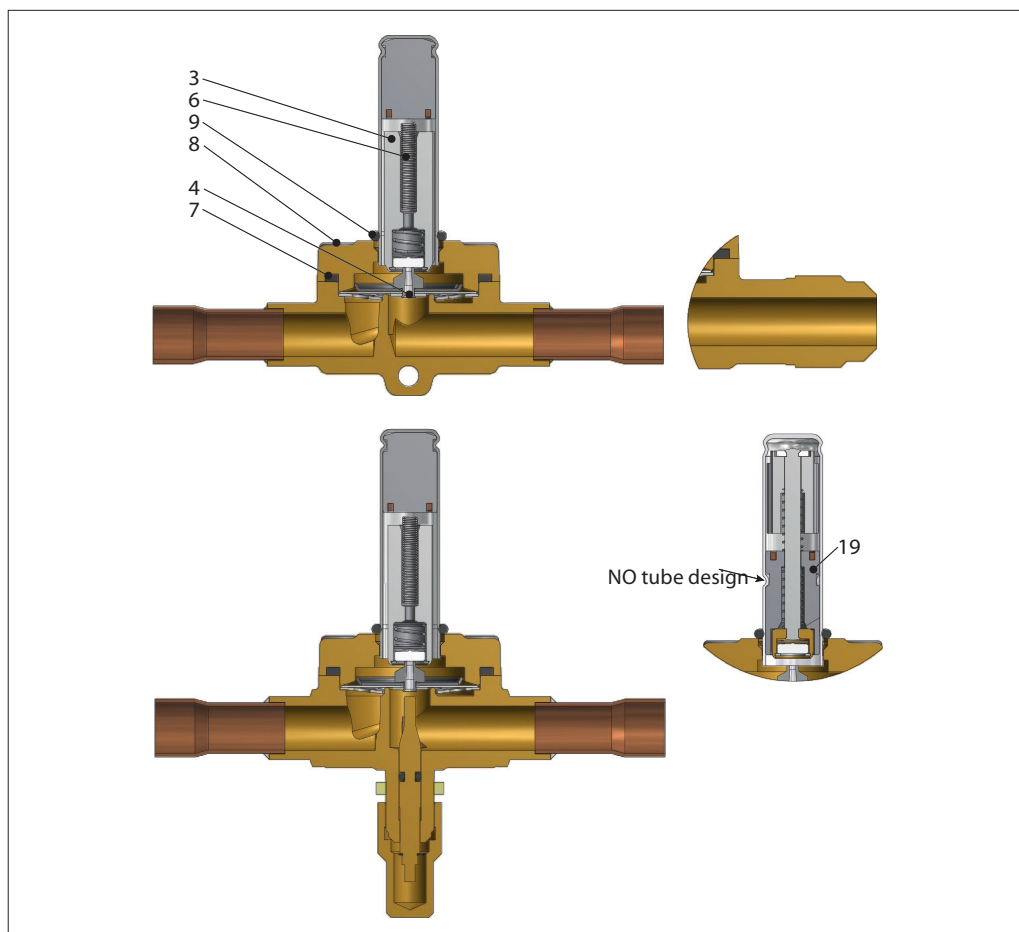
Type	Description	Pos. #	Qty.	Code no.
<b>Service kit (AC)</b>				
<b>EVR 2 and 3 (NC)</b>	O-ring	9	1	<b>032F0181</b>
	Screw	8	4	
	Armature assembly	3	1	
	Rubber gasket	7	1	
	Armature spring	6	1	

**EVR 4 - EVR 6 - EVR 8**  
Version 2



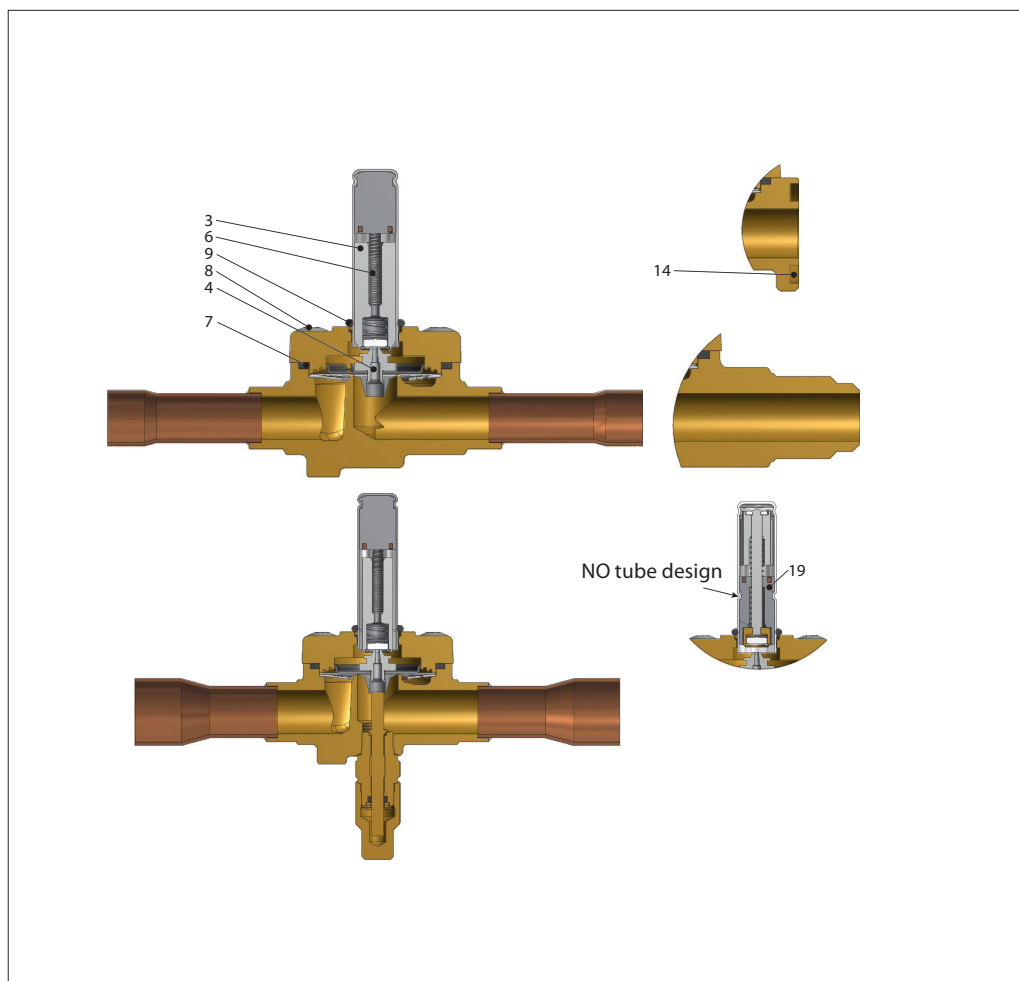
Type	Description	Pos. #	Qty.	Code no.
<b>Seal kit</b>				
<b>EVR 4, 6, and 8 (NC/NO)</b>	O-ring for armature tube	9	1	<b>032L0548</b>
	Rubber gasket	7	1	
	Support ring	4	1	
<b>Service kit</b>				
<b>EVR 4 (NC)</b>	Diaphragm assembly	5	1	<b>032L0549</b>
	O-ring for armature tube	9	1	
	Screw T15	8	4	
	Armature assembly	3	1	
	Rubber gasket	7	1	
	Support ring	4	1	
	Compress spring	6	1	
<b>Service kit</b>				
<b>EVR 6 and 8 (NC)</b>	Diaphragm assembly	5	1	<b>032L0550</b>
	O-ring	9	1	
	Screw	8	4	
	Armature assembly	3	1	
	Rubber gasket	7	1	
	Support ring	4	1	
	Compression ring	6	1	
<b>Service kit</b>				
<b>EVR 6 and 8 (NO)</b>	O-ring for armature tube	9	1	<b>032L0551</b>
	Rubber gasket	7	1	
	Support ring	4	1	
	Steel cover and armature assembly	19	1	
	Diaphragm assembly	5	1	
	Screw	8	1	

**EVR 10  
Version 2**



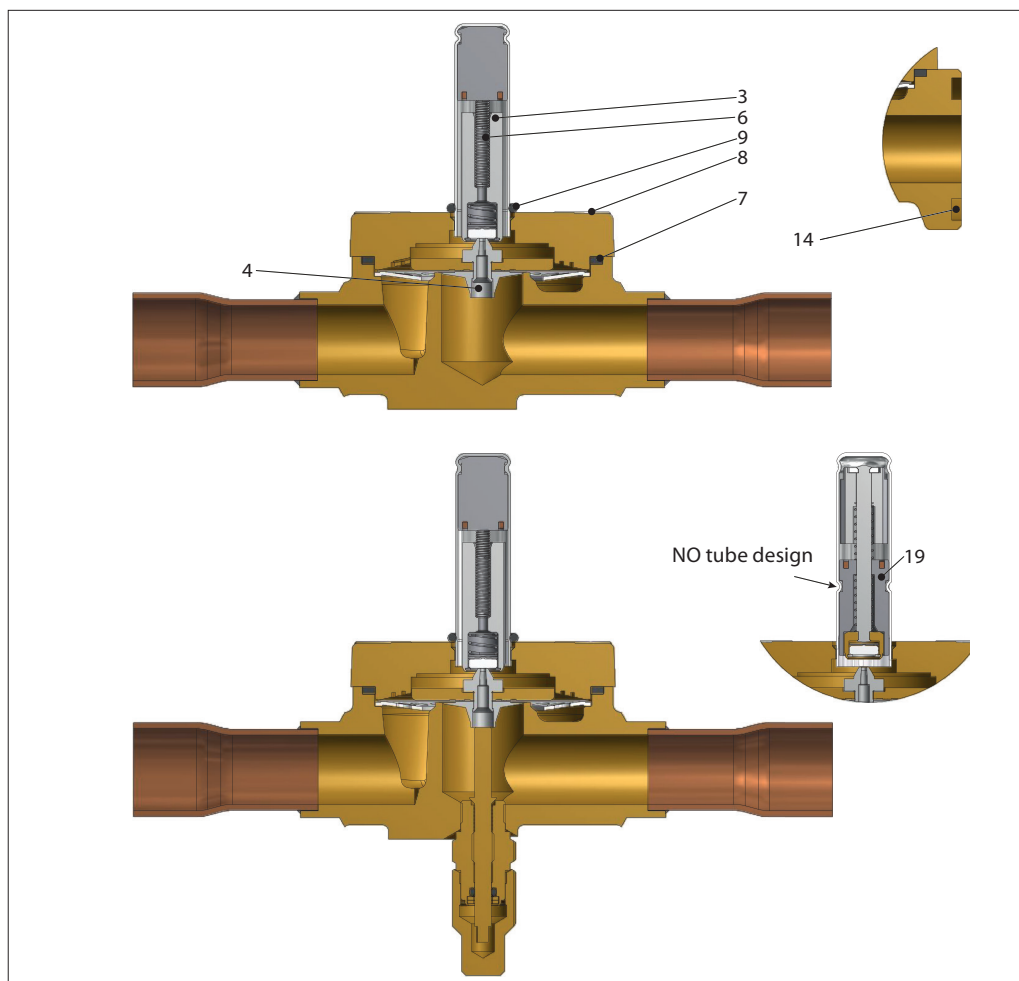
Type	Description	Pos. #	Qty.	Code no.
<b>Seal kit</b>				
EVR 10 (NO)	O-ring, Armature tube	9	1	032F8196
	Rubber gasket	7	1	
<b>Service kit</b>				
EVR 10 (NC)	Diaphragm assembly	4	1	032L0552
	O-ring	9	1	
	Screw	8	4	
	Armature assembly	3	1	
	Rubber gasket	7	1	
	Compress spring	6	1	
<b>Service kit</b>				
EVR 10 (NO)	Diaphragm assembly	4	1	032L0553
	O-ring	9	1	
	Screw	8	4	
	Cover assembly and armature assembly	19	1	
	Rubber gasket	7	1	

**EVR 15 - EVR 18**  
Version 2



Type	Description	Pos. #	Qty.	Code no.
<b>Seal kit</b>				
EVR 15 and 18 (NO)	O-ring, Armature tube	9	1	032F8196
	Rubber gasket	7	1	
<b>Service kit</b>				
EVR 15 and 18 (NC)	Diaphragm assembly	4	1	032L0554
	O-ring	9	1	
	Screw	8	4	
	Armature assembly	3	1	
	Rubber gasket	7	1	
	Refrigeration gasket (flange connection)	14	1	
<b>Service kit</b>				
EVR 15 and 18 (NO)	Diaphragm assembly	4	1	032L0555
	O-ring	9	1	
	Screw	8	4	
	Cover assembly and armature assembly	19	1	
	Rubber gasket	7	1	
	Refrigeration gasket (flange connection)	14	1	

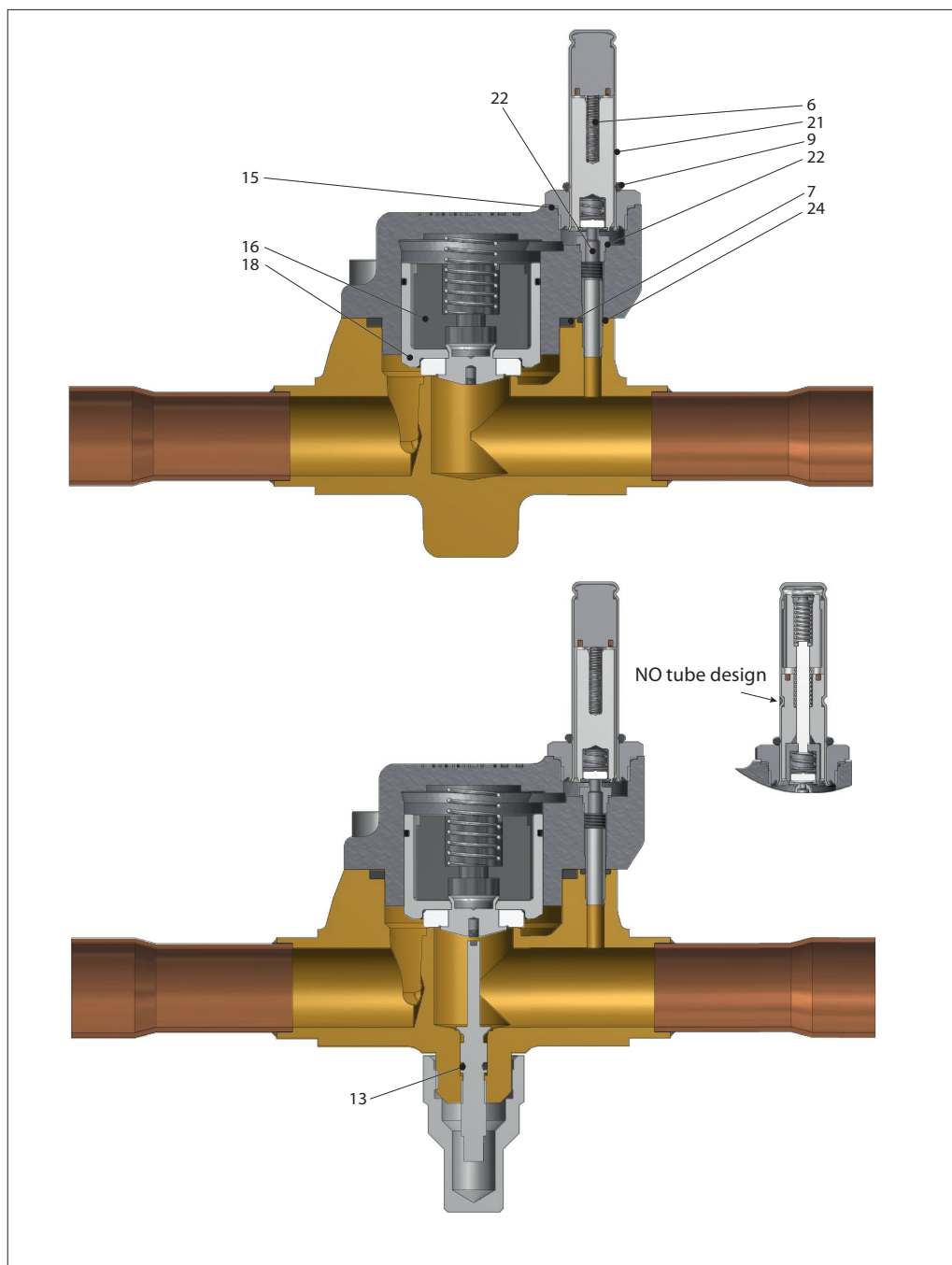
**EVR 20 - EVR 22**  
Version 2



Type	Description	Pos. #	Qty.	Code no.
<b>Seal kit</b>				
EVR 20 and 22 (NC/NO)	O-ring, Armature tube	9	1	032F8196
	Rubber gasket	7	1	
<b>Service kit</b>				
EVR 20 and 22 (NC)	Diaphragm assembly	4	1	032L0556
	O-ring	9	1	
	Screw	8	4	
	Armature assembly	3	1	
	Rubber gasket	7	1	
	Refrigeration gasket (flange connection)	14	1	
<b>Service kit</b>				
EVR 20 and 22 (NO)	Diaphragm assembly	4	1	032L0557
	O-ring	9	1	
	Screw	8	4	
	Cover assembly and armature assembly	19	1	
	Rubber gasket	7	1	
	Refrigeration gasket (flange connection)	14	2	

**EVR 25  
Version 2**

The service kits are shared  
with Version 1



Type	Description	Pos. #	Qty.	Code no.
<b>Seal kit</b>				
<b>EVR 25 (NC)</b>	Al. gasket	15	1	<b>032F2326</b>
	Al. gasket	23	1	
	O-ring	24	1	
	O-ring	9	1	
	O-ring	13	1	
	Rubber gasket	7	1	

**Note!**  
All code nos. are valid for EVR 25 with stainless steel piston as well as for EVR 25 with cast iron piston.

Data sheet - Spare parts and accessories | Solenoid valve, types EVR 2 - EVR 40

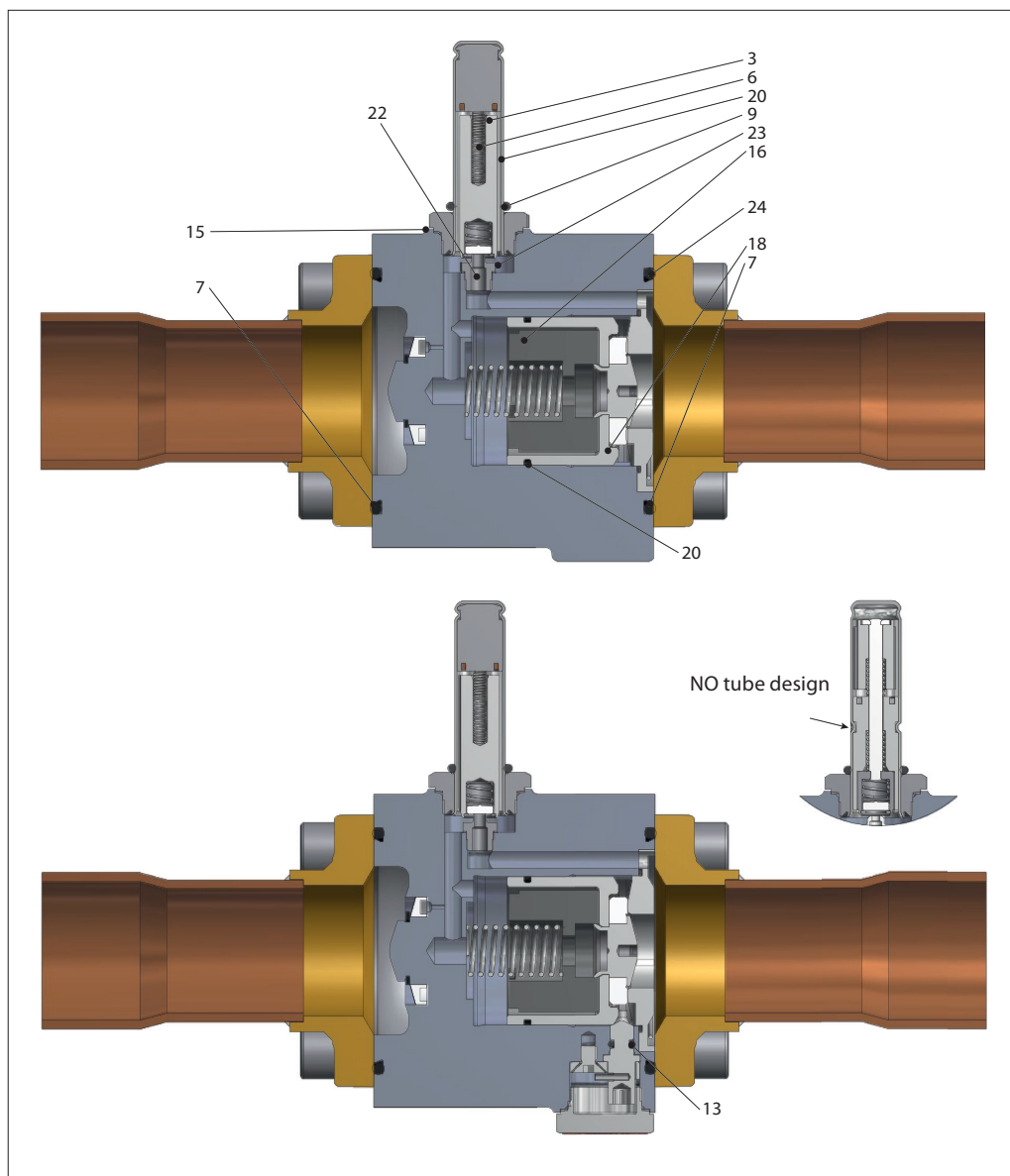
**EVR 25**  
**Version 2**

**The service kits are shared  
with Version 1**  
(continued)

Type	Description	Pos. #	Qty.	Code no.
<b>Piston service kit</b>				
<b>EVR 25 (NC)</b>	O-ring	9	1	<b>032F3236</b>
	Compression spring	6	1	
	O-ring	24	1	
	Piston assembly	18	1	
	Insert block	16	1	
	Rubber gasket	7	1	
	Piston ring	20	1	
<b>Pilot service kit</b>				
<b>EVR 25 (NC)</b>	Armature assembly	3	1	<b>042H0165</b>
	Armature tube	21	1	
	Al. gasket	23	1	
	Nozzle	22	1	
	Al. gasket	15	1	
	O-ring	14	1	
	Compression spring	6	1	

**EVR 32  
Version 2**

The service kits are shared  
with Version 1



Type	Description	Pos. #	Qty.	Code no.
<b>Seal kit</b>				
<b>EVR 32 (NC)</b>	O-ring	7	2	<b>032F2327</b>
	Al. gasket	15	1	
	O-ring	9	1	
	O-ring	24	1	
	Al. gasket	23	1	



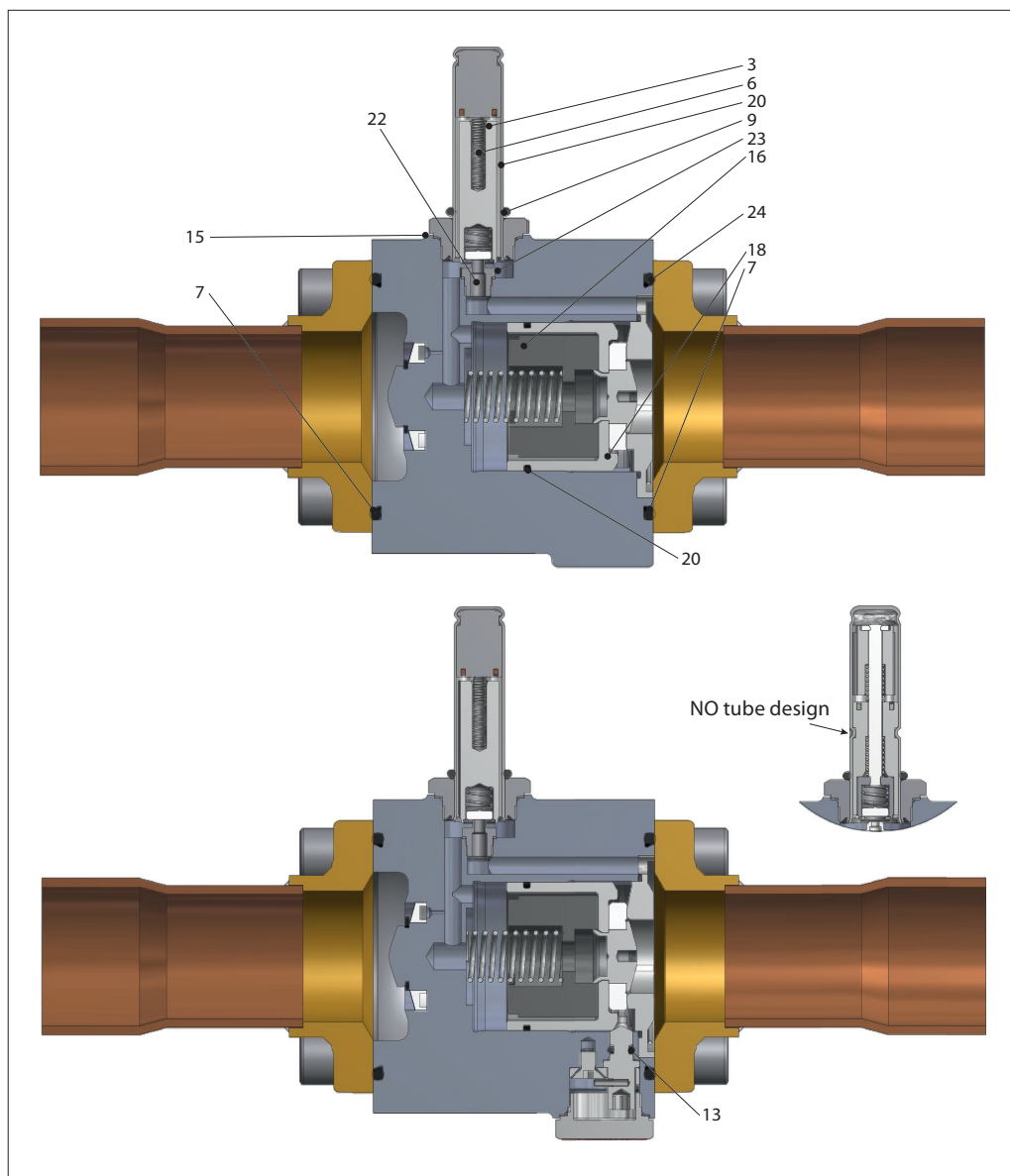
**EVR 32  
Version 2**

**The service kits are shared  
with Version 1  
(continued)**

Type	Description	Pos. #	Qty.	Code no.
<b>Piston service kit</b>				
<b>EVR 32 (NC)</b>	O-ring	7	2	<b>042H0172</b>
	Al. gasket	15	1	
	O-ring	13	1	
	Piston assembly	18	1	
	O-ring	9	1	
	Insert block	16	1	
	O-ring	24	1	
	Piston ring	20	1	
	Compression spring	6	1	
Refrigeration gasket	25	1		
<b>Pilot service kit</b>				
<b>EVR 32 (NC)</b>	Al. gasket	15	1	<b>042H0165</b>
	O-ring	9	1	
	Al. gasket	23	1	
	Nozzle	22	1	
	Armature tube	21	1	
	Armature assembly	3	1	
	Compression spring	6	1	

**EVR 40  
Version 2**

The service kits are shared  
with Version 1



Type	Description	Pos. #	Qty.	Code no.
<b>Seal kit</b>				
<b>EVR 40 (NC)</b>	O-ring	7	2	<b>032F2327</b>
	Al. gasket	15	1	
	O-ring	9	1	
	O-ring	24	1	
	Al. gasket	23	1	

**EVR 40  
Version 2**

**The service kits are shared  
with Version 1  
(continued)**

Type	Description	Pos. #	Qty.	Code no.
<b>Piston service kit</b>				
<b>EVR 40 (NC)</b>	O-ring	7	2	<b>042H0173</b>
	Al. gasket	15	1	
	O-ring	13	1	
	Piston assembly	18	1	
	O-ring	9	1	
	Insert block	16	1	
	O-ring	24	1	
	Piston ring	20	1	
	Compression spring	6	1	
Refrigeration gasket	25	1		
<b>Pilot service kit</b>				
<b>EVR 40 (NC)</b>	Al. gasket	15	1	<b>042H0165</b>
	O-ring	9	1	
	Al. gasket	23	1	
	Orifice	22	1	
	Armature tube	21	1	
	Armature assembly	3	1	
Compression spring	6	1		