

Data sheet

Non return valve

VCM 10

1½" Vic. outlet (In-line)





Introduction

The function of the non-return valve is to allow flow in one direction while blocking it in the other. The valve incorporates a conical poppet design, which ensures sealing when used with a low viscosity medium such as water. Typically used in connection with APP (W) 5.1 - 10.2 pumps.

Features

The non-return valve is produced in stainless Duplex W. Nr. 1,4462. The sealing is an O-ring made of Viton. The valve is available for flows up to 11.5 m³/h or 190 l/min (40 gpm).

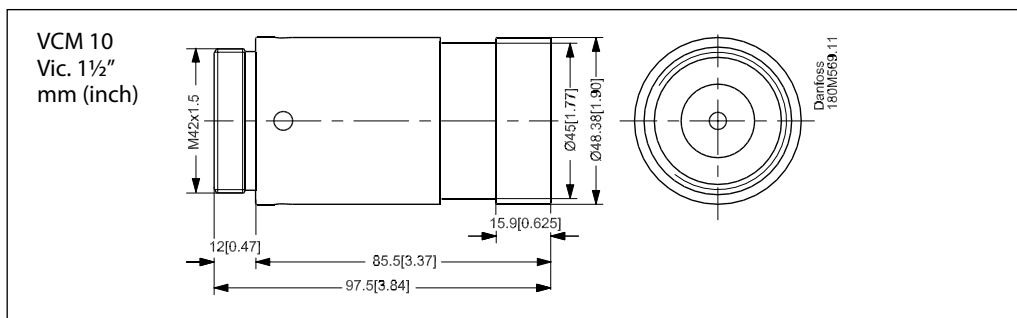
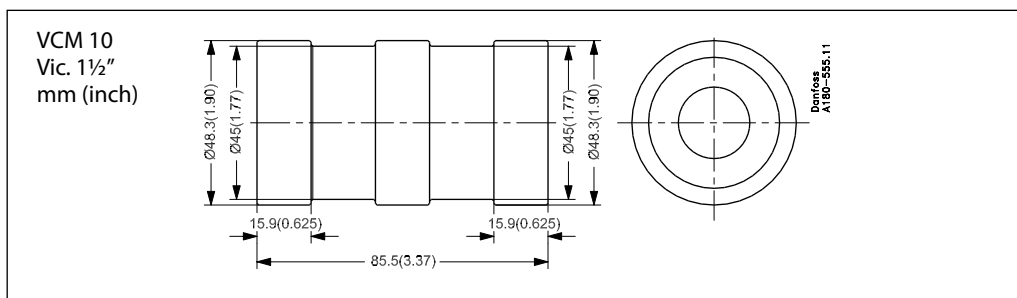
Technical data and code numbers

Type	Max. pressure bar (psi)	Flow continuously l/min (gpm)	Opening pressure bar (psi)	Pressure loss at max. flow bar (psi)	Inlet connection	Outlet connection	Code number
VCM 10 (In-line)	80 (1160)	190 (50)	0.3 (4.3)	1 (14.5)	Vic. 1½"	Vic. 1½" In-line	180H0047
VCM 10	80 (1160)	190 (50)	0.3 (4.3)	1 (14.5)	M42 x 1.5	Vic. 1½"	180H0049

Filtration

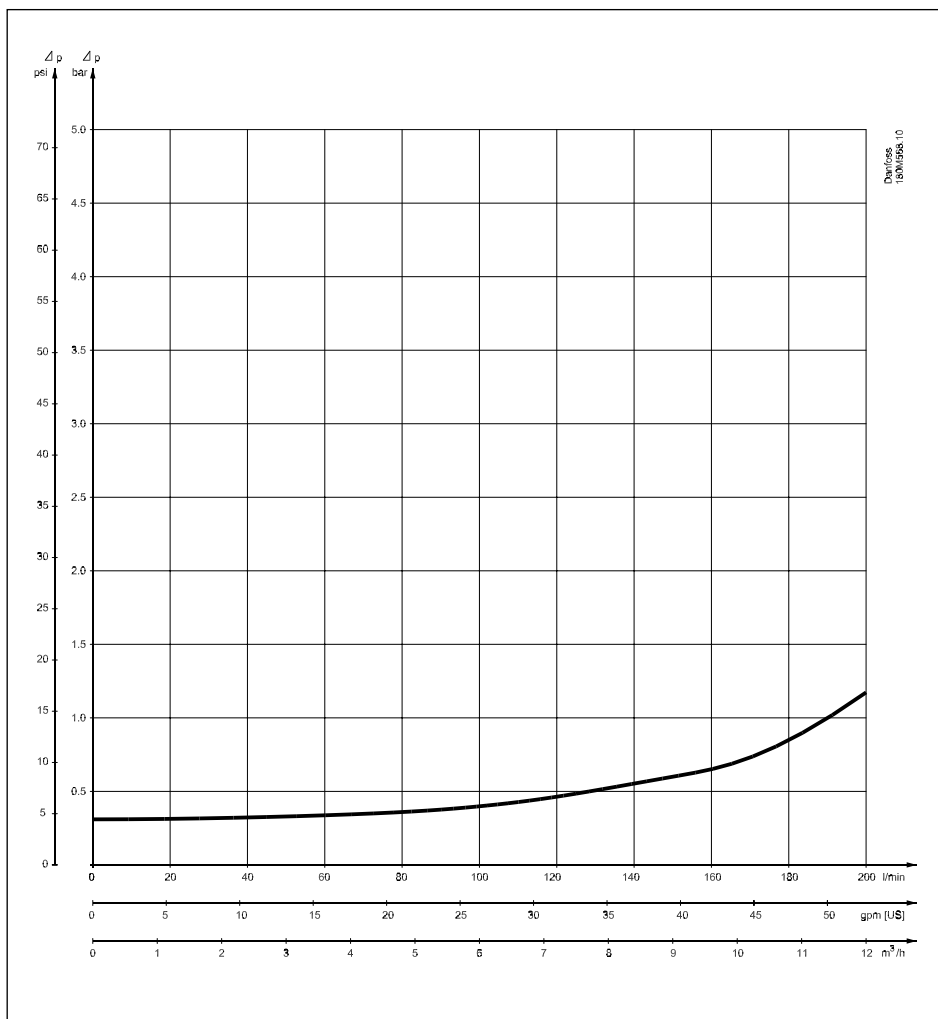
The fluid must be clean and free from abrasive sediments.

Dimensions



Victaulic® is a registered trademark of Victaulic Corporation Inc.

Pressure drop over the valve
(typical values)



ENGINEERING
TOMORROW

Danfoss

Danfoss A/S
High Pressure Pumps
Nordborgvej 81
DK-6430 Nordborg
Denmark

Danfoss can accept no responsibility for possible errors in catalogues, brochures and other printed material. Danfoss reserves the right to alter its products without notice. This also applies to products already on order provided that such alterations can be made without subsequential changes being necessary in specifications already agreed. All trademarks in this material are property of the respective companies. Danfoss and the Danfoss logotype are trademarks of Danfoss A/S. All rights reserved.
