

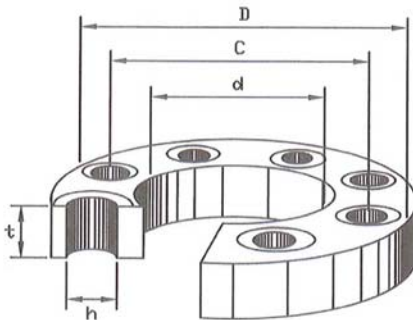


Model AB-QM Pressure Independent Balance and Control Valve

Danfoss		Model AB-QM Pressure Independent Balance and Control Valve	
ISO FLANGES AND GASKET INFORMATION, 5" thru 10" VALVES			
DATE _____		SPEC. SECTION _____	
		PAGE _____ OF _____	
<u>PROJECT</u>	<u>ARCHITECT/ENGINEER</u>	APPROVALS	
		AGENCY	REPRESENTATIVE
		ARCHITECT	
		ENGINEER	
<u>SUPPLIER</u>	<u>CONTRACTOR</u>	CONTRACTOR 1	
		CONTRACTOR 2	
		(OTHER)	
		<i>NOTE</i>	<i>COMMENT</i>
ORDER NO.			

Qty.	Code No.	Size	Description
	D2576-16-125	5"	ISO flat faced slip on flanges for AB-QM HF ISO flanged valves. Flange PN 16 rated. (2 required per valve body)
	D2576-16-150	6"	
	D2576-16-200	8"	
	D2576-16-250	10"	
	GASKET-AB-QM 5"	5"	Accompanying gasket for selected flange size. (2 required per valve body)
	GASKET-AB-QM 6"	6"	
	GASKET-AB-QM 8"	8"	
	GASKET-AB-QM 10"	10"	

ISO Flange Dimensions, in (mm)



Flange Size	5"	6"	8"	10"
DN Size	125	150	200	250
Outside Diameter, <i>D</i>	9.84 (250)	11.22 (285)	13.39 (340)	15.94 (405)
Inside Diameter, <i>d</i>	5.57 (141.6)	6.71 (170.5)	8.73 (221.8)	10.87 (276.2)
# of Bolt Holes	8		12	
Bolt Hole Diameter, <i>h</i>	0.71 (18)	0.87 (22)		1.02 (26)
Bolt Circle, <i>C</i>	8.27 (210)	9.45 (240)	11.61 (295)	13.98 (355)
Flange Thickness, <i>t</i>	0.87 (22)		0.94 (24)	1.02 (26)
Bolt Size	0.63 (M16)	0.79 (M20)		0.94 (M24)

Danfoss can accept no responsibility for possible errors in printed materials and reserves the right to alter its products without notice. All trademarks in this material are property of the respective companies. Danfoss and Danfoss logotype are trademarks of Danfoss A/S. All right reserved.



Head Office:
Danfoss Inc.
Mississauga, ON CANADA
Tel: 866-375-4822 Fax: 905.285.2055

USA Office:
Danfoss Inc.
Baltimore, MD USA
Tel: 866-375-4822 Fax: 443.512.0270