

Data Sheet

TWA Thermal Wax Actuator

Application



The TWA is a small actuator for electrical on/off controls to activate several types of valves and floor heating manifolds.

The TWA range covers actuators for 24 V (SELV) or 230 V supply in both normally closed (NC) or normally open (NO) versions (valve positions with no supply voltage to the actuator).

NC/S versions with end switch are also available for some actuator types.

The actuator is equipped with a visual position indicator to show the open or closed position of the valve.

The TWA can be connected to the RA, RAVL and RAV-valves from Danfoss. Furthermore versions for valves with Heimeier/MNG/Oventrop M30x1,5 connection are available.

Other valves must be verified individually to ensure correct valve closing measurement and valve top geometry.

Ordering

Actuator	Connection type	Supply Voltage	Function	Code no.
TWA-A	RA	230 V AC	NC/S*	088H3106
TWA-A	RA	24 V AC/DC	NC	088H3110
TWA-A	RA	24 V AC/DC	NO	088H3111
TWA-A	RA	230 V AC	NC	088H3112
TWA-A	RA	230 V AC	NO	088H3113
TWA-A	RA	24 V AC/DC	NC/S*	088H3114
TWA-V	RAV/VMT	24 V AC/DC	NC	088H3120
TWA-V	RAV/VMT	24 V AC/DC	NO	088H3121
TWA-V	RAV/VMT	230 V AC	NC	088H3122
TWA-V	RAV/VMT	230 V AC	NO	088H3123
TWA-L	RAVL	24 V AC/DC	NC	088H3130
TWA-L	RAVL	24 V AC/DC	NO	088H3131
TWA-L	RAVL	230 V AC	NC	088H3132
TWA-L	RAVL	230 V AC	NO	088H3133
TWA-K	M30x1,5**	230 V AC	NC/S*	088H3105
TWA-K	M30x1,5**	24 V AC/DC	NC	088H3140
TWA-K	M30x1,5**	24 V AC/DC	NO	088H3141
TWA-K	M30x1,5**	230 V AC	NC	088H3142
TWA-K	M30x1,5**	230 V AC	NO	088H3143

* With end-switch (end-switch only 24 V~)

** Connection to Heimeier, MNG and Oventrop valves with M30x1,5 connection. Other valves must be verified individually to ensure correct valve closing measurement and valve top geometry (see page 3).

Technical specifications

Supply voltage	24 V (Class II (SELV)) and 230 V (3 A pre-fuse)
Max. inrush current	24 V: 350 mA, 230 V: 250 mA
Frequency	50-60 Hz
Running power consumption	2 W
Spindle travel time	~3 min.
Ambient temperature	0 °C to +60 °C
Enclosure	IP 41
Cable length	950 mm

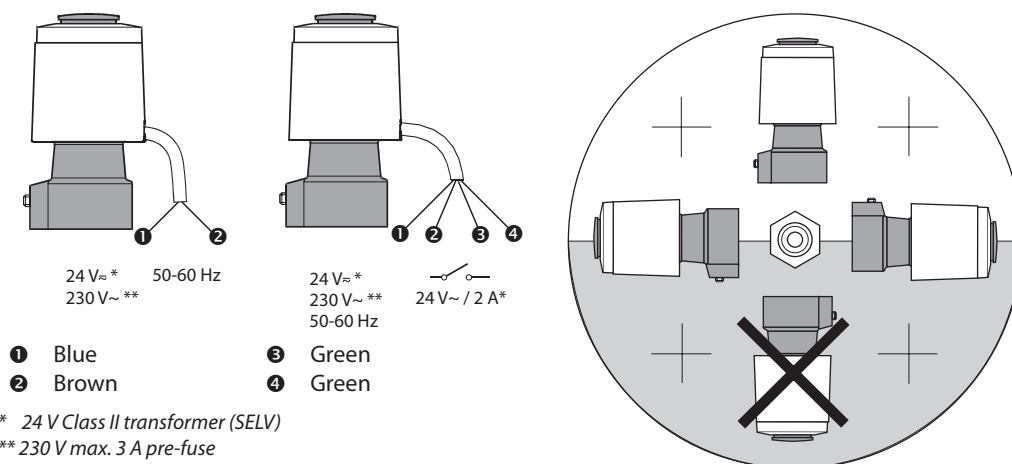
Combination overview for Danfoss thermal wax actuator and valves (V) or manifolds (M)

Valve/ Manifold	RA-N (V)	RA-C (V)	RA-FN (V)	RA-G (V)	RAV-/8 (V)	VMT-8 (V)	RAVL-6 (V)	FHD (M)
k_{VS} (m ³ /H)	0,65 to 1,40	1,20 to 3,30	0,65 to 1,40	2,30 to 5,50	1,20 to 3,10	1,50 to 3,10	0,20 to 1,50	0,10 to 1,10
Max. Δp (Bar)	0,6	0,6	0,6	0,2*	0,8	0,8	0,6	0,6
Actuator**	TWA-A	TWA-A	TWA-A	TWA-A	TWA-V	TWA-V	TWA-L	TWA-A

* The RA-G 25 valve has a max. $\Delta p = 0,16$ bar. Consult valve/manifold datasheets for further information.

** If the actuator should be an 24 V or 230 V and normally open (NO) or normally closed (NC), depends mainly of the application, control strategy and the controller connected to the actuator.

Electrical connections



Note! All NC-versions are equipped with a red mounting split on the position indicator to secure easy valve connection. When mounted this split must be removed for correct operation.

Dimensions

TWA-A / RA valves

DN	ISO 7/1		Valve type	H [mm]	L [mm]
	D	d ₂			
10	Rp 3/8	R 3/8	RA-N, RA-FN	92	75
15	Rp 1/2	R 1/2	RA-N, RA-FN	92	82
20	Rp 3/4	R 3/4	RA-N, RA-FN	97	98
25	Rp 1	R 1	RA-N, RA-FN	97	125
15	Rp 1/2	R 1/2	RA-G	95	96
20	Rp 3/4	R 3/4	RA-G	95	107
25	Rp 1	R 1	RA-G	99	125

TWA-V / RAV valves

DN	ISO 7/1		RAV	H [mm]	L [mm]
	D	d ₂			
15	Rp 1/2	R 1/2	15/8	74	95
20	Rp 3/4	R 3/4	20/8	74	106
25	Rp 1	R 1	25/8	87	125

TWA-L / RAVL valves

DN	ISO 7/1		RAVL	H [mm]	L [mm]
	D	d ₂			
10	Rp 3/8	R 3/8	10	75	85
15	Rp 1/2	R 1/2	15	75	95
20	Rp 3/4	R 3/4	20	75	106

TWA-V / VMT

DN	a	b	VMT	H [mm]	L [mm]
20	Ø18, Ø22	G1 A	20/8	74	101
25	Ø28	G1 1/4 A	25/8	87	120

Dimensions

TWA-K



Danfoss A/S

Climate Solutions • danfoss.com • +45 7488 2222

Any information, including, but not limited to information on selection of product, its application or use, product design, weight, dimensions, capacity or any other technical data in product manuals, catalogues descriptions, advertisements, etc. and whether made available in writing, orally, electronically, online or via download, shall be considered informative, and is only binding if and to the extent, explicit reference is made in a quotation or order confirmation. Danfoss cannot accept any responsibility for possible errors in catalogues, brochures, videos and other material. Danfoss reserves the right to alter its products without notice. This also applies to products ordered but not delivered provided that such alterations can be made without changes to form, fit or function of the product.

All trademarks in this material are property of Danfoss A/S or Danfoss group companies. Danfoss and the Danfoss logo are trademarks of Danfoss A/S. All rights reserved.