

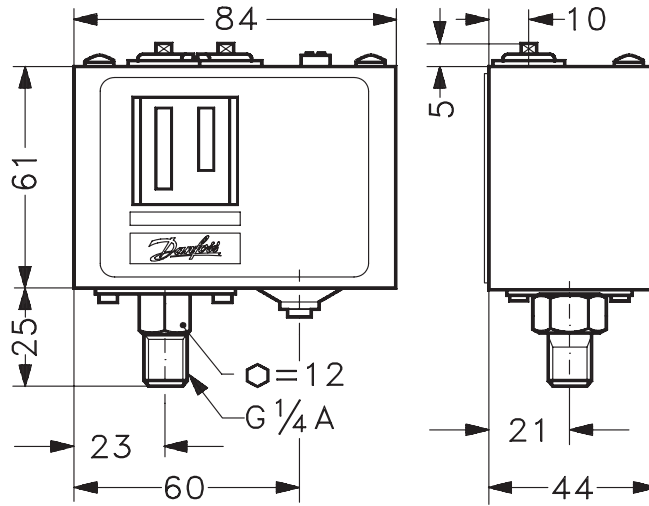
Installation guide

Pressure switch

Type KPI 34, KPI 35, KPI 36 and KPI 38



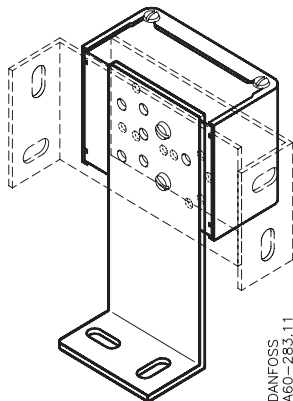
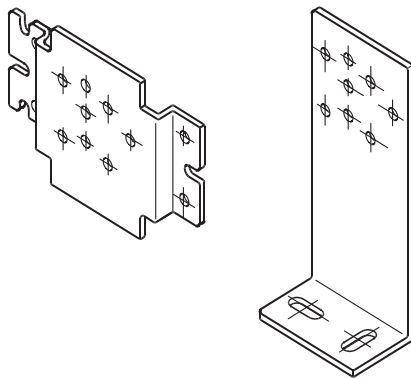
060R9308



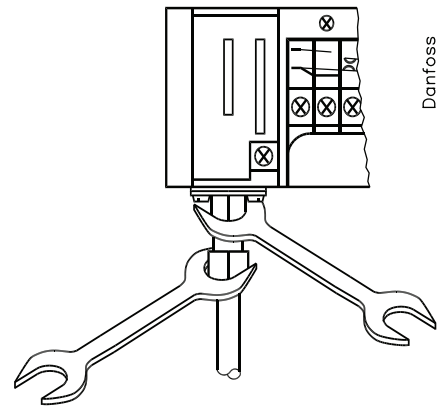
DANFOSS
A60-823.10.10

060R9308

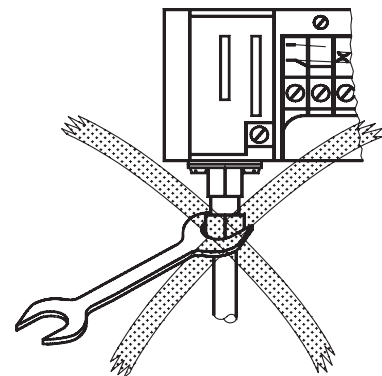
Імпортер: ТОВ з іі "Данфосс ТОВ" 04080, Київ 80, п/с 168, Україна



DANFOSS
A60-283.11

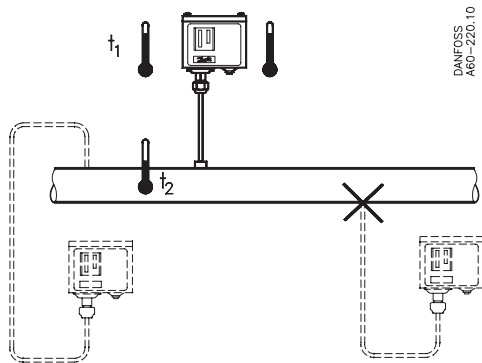


Danfoss
60-467.12



DANFOSS
A60-468.12

Info for UK customers only: Danfoss Ltd., 22 Wycombe End, HP9 1NB, GB

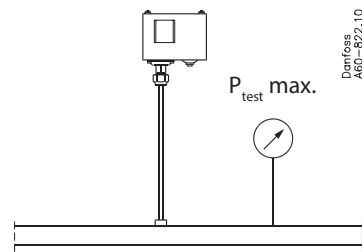


DANFOSS
A60-220.10

KPI 34, KPI 35, KPI 36, KPI 38

t_1 min. -40 °C
 t_1 max. 65 °C

t_2 min. -40 °C
 t_2 max. 100 °C

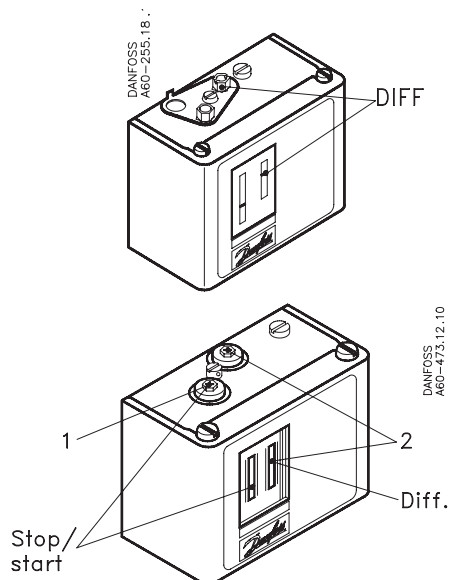


Danfoss
A60-822.10

KPI 34: 18 bar
KPI 35: 18 bar
KPI 36: 18 bar
KPI 38: 30 bar

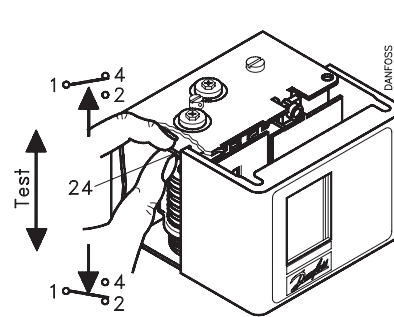
Type	Range	Diff.
KPI 34	-0.2 – 3 bar	0.5 – 1.25 bar
KPI 35	-0.2 – 8 bar	0.4 – 2 bar
KPI 36	4 – 12 bar	0.5 – 1.6 bar
KPI 38	8 – 28 bar	1.8 – 6 bar

Please note: No maintenance is required for the switches after final installation.



DANFOSS
A60-255.18.10

DANFOSS
A60-473.12.10

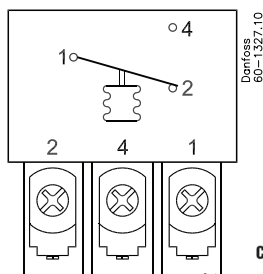


DANFOSS
A60-474.15.10



CAUTION: Disconnect power supply before wiring connections are made or service to avoid possible electrical shock or damage to equipment. Do never touch live parts with your fingers or with any tool.

Please note: scale in KP units is indicative only. For accurate setting or when using according to FM approval use additional pressure gauge to set the unit.



Danfoss
60-1327.10

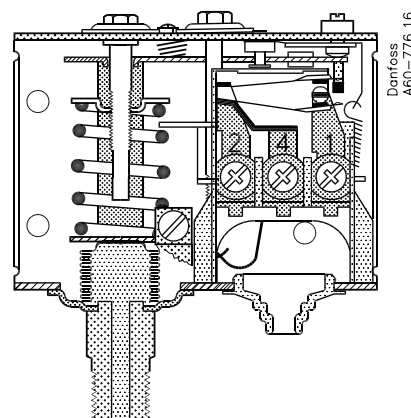
UL US LISTED Listed refrigeration controller 61B5

Standard contact Alternating current
AC-1: 10 A, 440 V
AC-3: 6 A, 440 V
AC-15: 4 A, 440 V
Blocked rotor: 112 A

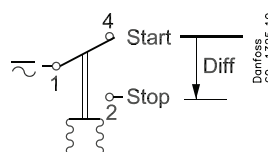
Direct current:
DC-13, 12 W, 220 V

Voltage		FL	LR	Resist. load	Pilot duty
AC	DC	A	A		
240	—	6	36	8 A	3 A
120	—	8	48	10 A	
—	240	—	—	—	12 W

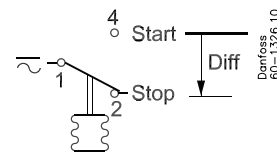
Use copper wire only
Tightening torque 20 lb. in.



Danfoss
A60-776.16



Danfoss
60-1325.10



Danfoss
60-1326.10