

Data sheet

High capacity Fishbone Plate Heat Exchanger SL333

Description



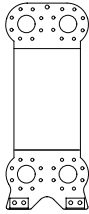
Fishbone Plate Heat Exchangers - are designed with the focus on medium and high capacity applications in the areas of:

- air conditioning,
- HVAC,
- solar heating,
- heat recovery or
- any other application with a heat transfer between single phase liquids.

Approval:
Pressure Equipment Directive (PED).

Ordering

1-pass heat exchanger **SL333-SB**

Picture	No. of plates, n	Code No.		
		SL333 TL	SL333 TM	SL333 TK
	50	079U8148	079U8184	079U8220
	60	079U8149	079U8185	079U8221
	70	079U8150	079U8186	079U8222
	80	079U8151	079U8187	079U8223
	90	079U8152	079U8188	079U8224
	100	079U8153	079U8189	079U8225
	110	079U8154	079U8190	079U8226
	120	079U8155	079U8191	079U8227
	140	079U8157	079U8193	079U8229
	160	079U8159	079U8195	079U8231
	180	079U8161	079U8197	079U8233
	200	079U8163	079U8199	079U8235
	220	079U8165	079U8201	079U8237
	240	079U8167	079U8203	079U8295
	260	079U8169	079U8205	079U8297
280	079U8171	079U8207	079U8298	
300	079U8173	079U8209	079U8300	

Notes:
Brackets are part of the frame design.

Accessories - **Insulation SL333 MW**

Mineral wool with metal sheet cover (MW)		
Type coverage (plate number)		Code No.
TL, TM	TK	
50 - 110	50 - 80	079U1044
111 - 170	81 - 120	079U1045
171 - 250	121 - 180	079U1046
251 - 320	181 - 240	079U1047
-	241 - 300	079U1048

Accessories - **Insulation SL333 PU**

Polyurethane with metal sheet cover (PU)		
Type coverage (plate number)		Code No.
TL, TM	TK	
50 - 110	50 - 80	079U1050
111 - 170	81 - 120	079U1051
171 - 250	121 - 180	079U1052
251 - 320	181 - 240	079U1053
-	241 - 300	079U1054

Technical data

Heat exchanger **SL333**

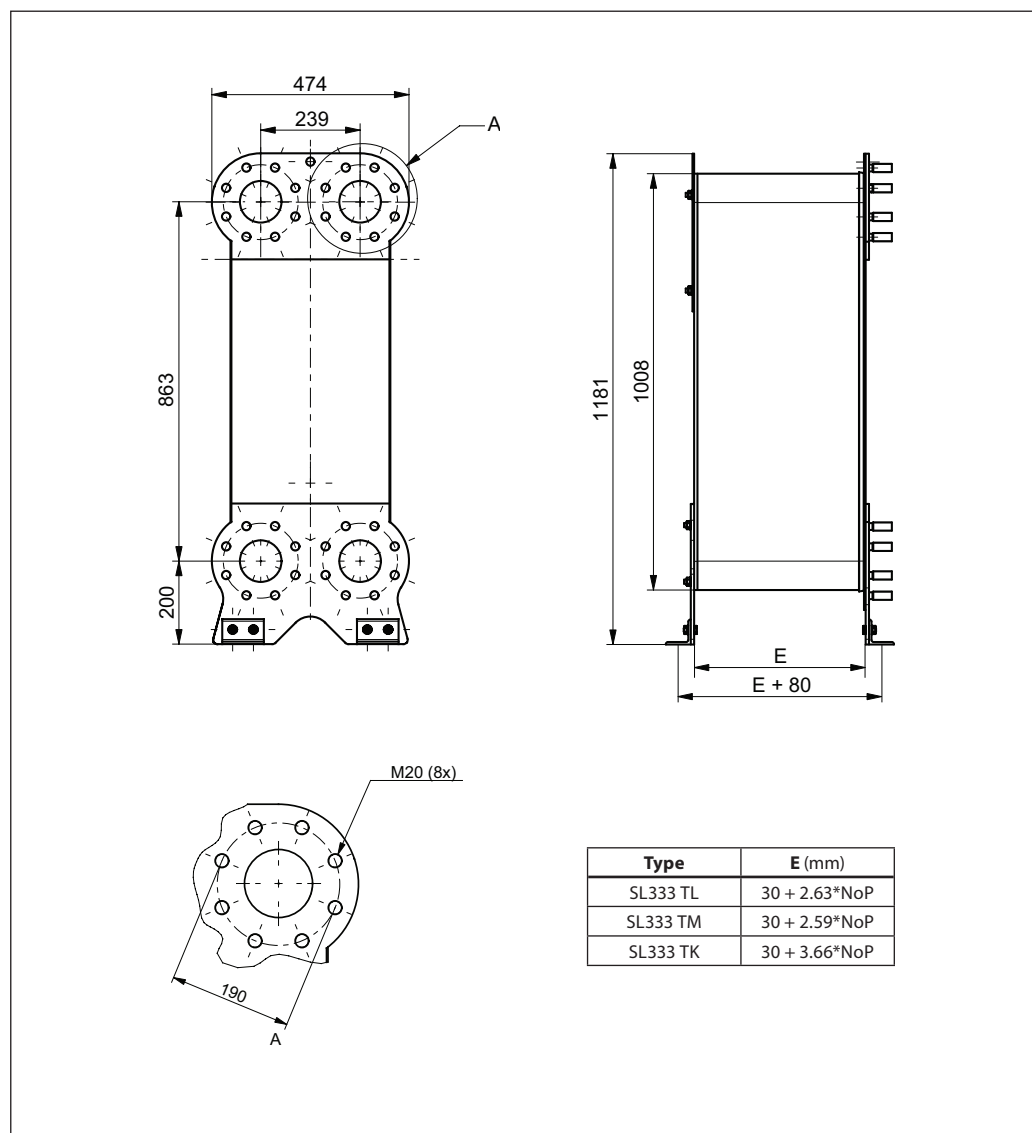
Type		SL333 TL	SL333 TM	SL333 TK
Max working pressure	bar	25		
Min. / Max. temperature	°C	-196 / 225		
Flow medium		DH: Circulation water / glycolic water up to 50% DC: ethylene-, propylene-glycolic water, ethanol-water solutions and other suitable heat transfer media. (Please contact your Danfoss representative for different medium.)		
Volume / Channel	Ltr	0.813	1.186	
Connections		Standard flange DN100 - Stud Bolt M20 ISO13918		
Weight 1-pass	kg	73 + 1.35 * NoP	84.6 + 1.35 * NoP	
Materials				
Plate material		Stainless steel, mat. no. 1.4404 (316L)		
Brazing		Copper		

Insulation

Type		Mineral wool shell with metal sheet cover (MW)	Polyurethane shell with metal sheet cover (PU)
Wall thickness	mm	60	60
Heat conductivity λ	W/mK	0.039	0.024
Max. temp.	Permanent	150	110
	Short term peak	180	130
Surface finish		Aluminium sheet cover	Aluminium sheet cover

Note:
For more details about insulation please contact your local sales representative.

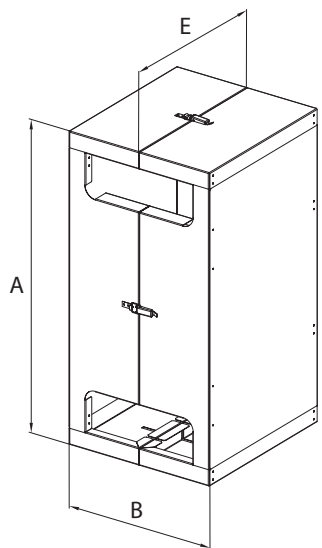
Dimensions



Note:
Dimensions only to be used for your reference and not to be used for engineering or construction purposes.

Dimensions (continuous)

Insulation



Type	A	B	E	Code No.
MW	1232	593	578	079U1044
			733	079U1045
			958	079U1046
			1186	079U1047
			1414	079U1048
PU	1232	593	578	079U1050
			733	079U1051
			958	079U1052
			1186	079U1053
			1414	079U1054

PU and MW - insulation

Note:
Insulation can be used for 2 and M pass HEX.



Danfoss A/S

Climate Solutions • danfoss.com • +45 7488 2222

Any information, including, but not limited to information on selection of product, its application or use, product design, weight, dimensions, capacity or any other technical data in product manuals, catalogues descriptions, advertisements, etc. and whether made available in writing, orally, electronically, online or via download, shall be considered informative, and is only binding if and to the extent, explicit reference is made in a quotation or order confirmation. Danfoss cannot accept any responsibility for possible errors in catalogues, brochures, videos and other material. Danfoss reserves the right to alter its products without notice. This also applies to products ordered but not delivered provided that such alterations can be made without changes to form, fit or function of the product.

All trademarks in this material are property of Danfoss A/S or Danfoss group companies. Danfoss and the Danfoss logo are trademarks of Danfoss A/S. All rights reserved.