

## Data Sheet

# Pressure switch and thermostat Type **RT-E**

For explosive atmospheres (ATEX)



The RT-E series consist of pressure and differential pressure switches as well as thermostats. The units are designed for industrial refrigeration and general industrial application in explosive zones acc. to 2014/34/EU ATEX directive, explosive zone 1, for surface equipment, category 2.

It includes usage in refrigeration systems with ammonia, hydrocarbons and other applications where presence of flammable gases, vapours and mists are likely to occur.

RT-E pressure switches and thermostats for use in explosive zones incorporate SPDT changeover switch where contact position depends on pressure or temperature value of the system.

### Features

- Designed for use in explosive zone 1
- Versions with enclosure IP66
- Stainless steel frame
- Metallized front cover without window
- Gold plated contacts
- Safety Integrity Level: SIL 2 according to IEC 61508

**Product specification**

**Technical data**

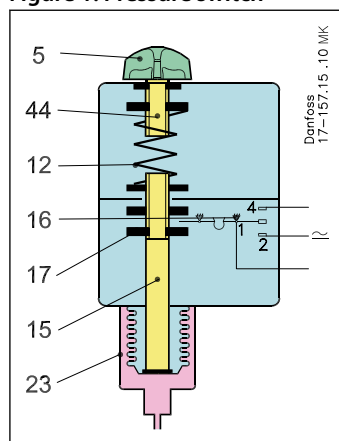
**Table 1: Technical data for RT-E type**

Enclosure <sup>(1)</sup>	IP66 or IP54 (version with external manual reset)
Ambient temperature	- 20 – 65 °C
Cable entry	2 x Pg 13.5 Cable diameter: 6 – 14 mm
Contact material	Gold plated AgCdO
Contact load	Must be used with a certified Ex ia barrier satisfying the input parameters
Contact system	Single-pole changeovers switch (SPDT)

<sup>(1)</sup> IP degree can only be obtained on enclosure without fractures / damages. RT-E must be protected against unintended impacts.

**Design and function**

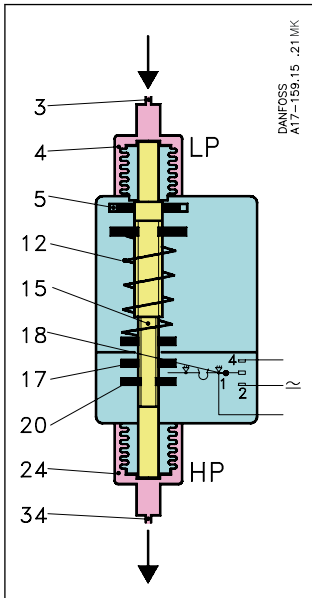
**Figure 1: Pressure switch**



**Pressure switches**

RT-E switches are similar to non-explosive version of RT. Main design changes include stainless steel frame and metalised front cover to keep surface resistance below 1 Gohm. By turning setting knob (5) the main spring (12) can be set to balance the pressure in the bellows. A rise in pressure compresses the bellows and moves the main spindle (15) upwards until spring and bellows pressure are in equilibrium. The main spindle (15) is fitted with the guide bush (17) and differential pressure setting nut that together transfer the main spindle movement to the switch (16). RTE6AEW/B/S has double fail-safe bellows: outer and regulating (inner bellows).

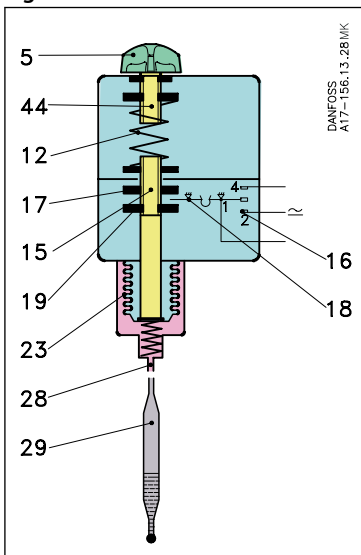
Figure 2: Differential pressure switch



### Differential pressure switches

An RT-E differential pressure switch contains single-pole changeover switch that makes or breaks depending on pressure differential between two counteracting bellows elements (LP and HP). The bellows (4) and (24) are respectively connected to lower pressure port and higher pressure port. The main spring (12) can be set for different differential pressure by the setting disc (5). If the differential pressure between higher and lower pressure falls, the spindle (15) moves downwards and via the upper guide bush (17) actuates the switch contact arm (18). The reverse action occurs if the differential pressure rises.

Figure 3: Thermostat

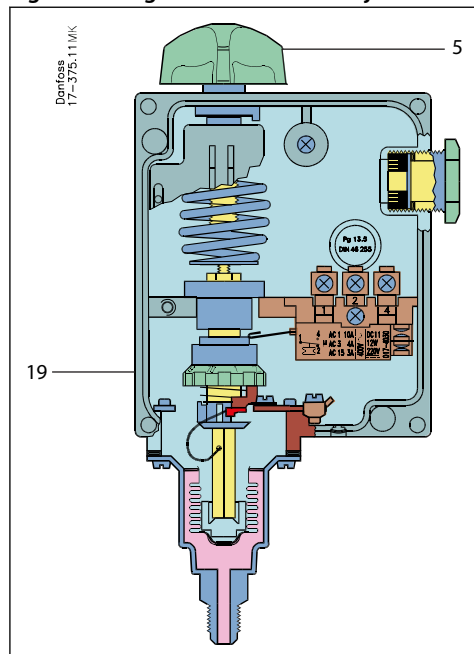


### Thermostats

The thermostatic element consists of sensor (29), capillary tube (28) and bellows element (23). Charge in the element reacts to temperature variations and increases the pressure in the bellows when temperature rises. By turning the setting knob (5) the main spring (12) can be set to balance the pressure in the element. A rise in temperature of the sensor compresses the bellows and moves the main spindle (15) upwards until spring force and element pressure are in equilibrium. Such movement is transferred to the switch (16) and causes its on or off action.

## Adjustment

Figure 4: Range and differential adjustment



The range is set by using setting knob (5). Tools must be used to set switches fitted with seal cap. To read the range scale the front cover must be removed. On the units with adjustable differential, differential disc (19) must be set after removing front cover. For proper adjustment differential roller must be used. Detailed information can be found in RT data sheets, non-explosive version.

## Safety requirements

RT-E pressure, differential pressure switches and thermostats comply with the requirements for explosive atmosphere 2014/34/EU acc. to ATEX, zone 1.

Only apparatus designed, constructed and released by Danfoss must be used for application concerned. Danfoss can accept no responsibility in case of alterations made on the switches or the use of them against the Danfoss instructions. Original Danfoss spare parts approved for use in explosive atmosphere can only be used.

The application covers systems that must be located within the EU or EFTA and comply with the existing EU legislation, such as Pressure Equipment Directive (PED) 2014/68/EU, the directive concerning potential explosive atmosphere (ATEX) 2014/34/EU and other related EU standards. The system where RT-E is mounted must always comply with local directives, legislation or any other regulation applying in the area of installation.

The Danfoss products comply with the requirements of ATEX directive, but Danfoss takes no responsibility for the classification of explosive zone.

## Electrical connection

The RT-E pressure switch placed in explosive zone must always be wired through reliable zener barrier, placed outside ex-zone, to ensure insufficient energy supply to cause the ignition of surrounding atmosphere by an electrical spark or the heating of components of circuitry.

The equipment to be used for electrical load limiting must always be approved for use in the zone concerned. Cables and cable entries approved for the application must be used and can not be in contact with sharp edges. Cables must be connected with adequate stress relief that way that pulling forces can not be carried through the cable to the terminal.

**Wire dimension:** min. 0,75mm<sup>2</sup>

**NOTE:**

A particular system can be classified in different zones, for different parts of the system.

**Intrinsic safety protection method**

Table 2: Electrical data for intrinsically safe specification

EX - zone	Non EX - zone	Electrical data for intrinsically safe specification (for all RT-E types):
<p>Danfoss 17-508.11</p>	<p>Zener barrier</p>	<p>Ui: 29 V                      Ii: 0.5 A                      Pi: 1W                      Ci: 0.5 nF                      Li: 0.2 µH</p>

**Installation and maintenance**

Only authorised persons, who are certified in installing and maintaining the systems may do the installation, maintenance and change of the switch.

In the event of strong pulsation in the system, bellows must be protected against fatigue failure by use of damping coil.

The cycle frequency of the RT-E switch must be kept as low as possible. The vibration level must be kept as low as possible.

Any overload of the RT-E switch must be prevented. Overloaded or damaged apparatus must be exchanged.

**Dimensions and weights**

Figure 5: RT-E housing (pressure switches and thermostats)

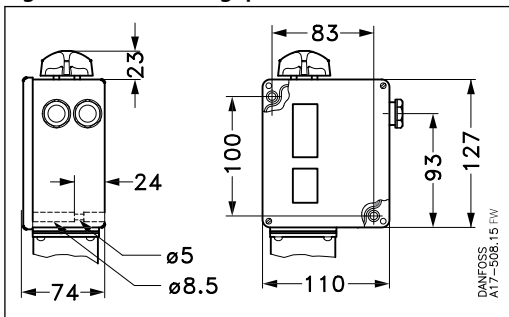
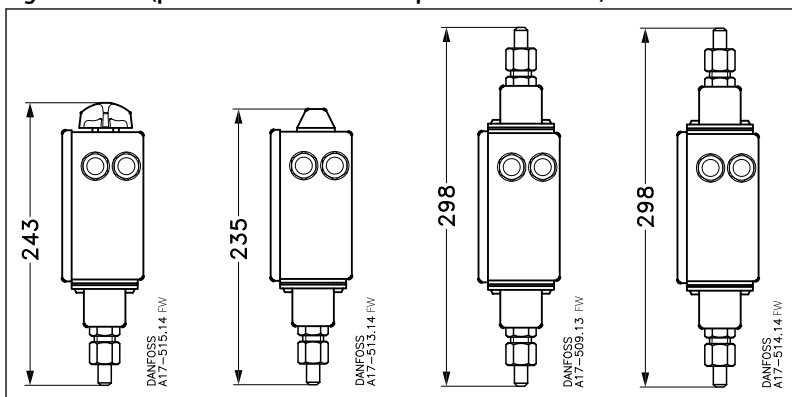


Figure 6: RT-E (pressure and differential pressure switches)



## Ordering

**Table 3: Pressure switches for R717 <sup>1)</sup>, HCFC, HFC and HC refrigerants**

Type	Regulating range	Differential $\Delta p$	Max. working pressure PS	Reset	Code no.	
					Connection	
	[bar]	[bar]	[bar]		G 3/8 A + welded nipple $\varnothing 6.5/10$ mm	G 3/8 A
RT 112E	0.1 – 1.1	0.07 – 0.16	7	Auto	—	017-518566
RT 113E	0.0 – 0.3	0.01 – 0.05	0.4	Auto	—	017-519566
RT 121E	-1.0 – 0.0	0.09 – 0.40	7	Auto	—	017-618466
RT 1AE	-0.8 – 5.0	0.5 – 1.6	22	Auto	017-500966	—
RT 116E	1 – 10	0.3 – 1.3	22	Auto	—	017-520166
RT 5E	4 – 17	1.2 – 4	22	Auto	—	017-525266
RT 6AEW <sup>(1)</sup>	5 – 25	3	34 <sup>(2)</sup>	Auto	017-513866	—
RT 6AEB <sup>(1)</sup>	10 – 28	1.5	34 <sup>(2)</sup>	Man. (Max.)	017-513466	—
RT 6AES <sup>(1)</sup>	10 – 28	1.5	34 <sup>(2)</sup>	Man. (Max.)	017-502166	—
RT 117E	10 – 30	1 – 4	42	Auto	—	017-529866

<sup>(1)</sup> W=Wächter (pressure control); B = Begrenzer (pressure control with external reset); S = Sicherheitsdruckbegrenzer (pressure control with internal reset)

<sup>(2)</sup> Max. working pressure acc. to PED is limited to 28 bar

<sup>1)</sup> Only types with letter A are suitable for R717

**Table 4: Differential pressure switches for R717, HCFC, HFC and HC refrigerants**

Type	Regulating range	Differential $\Delta p$	Operating range for LP bellows	Max. working pressure PS	Pressure connection	Code no.
	[bar]	[bar]	[bar]	[bar]		
RT 260AE	0.5 – 4	0.3	-1 – 18	22	G 3/8 A + welded nipple $\varnothing 6.5/10$ mm	017D003666
RT 262AE	0.1 – 1.5	0.1	-1 – 9	11		017D003066

**Table 5: Thermostats**

Type	Regulating range	Differential $\Delta p$		Max. sensor temperature	Type of charge	Capillary tube length	Code no.
		at lowest range setting	at highest range setting				
	[°C]	[°C]	[°C]	[°C]		[m]	
RT 9E	-45 – -15	2.2 – 10	1 – 4.5	150	State Vapour	5	017-617866
RT 14E	-5 – 30	2 – 8	2 – 10	150	Adsorption	2	017-509866
RT 14E	-5 – 30	2 – 8	2 – 10	150	Adsorption	5	017-617966
RT 101E	25 – 90	2.4 – 10	3.5 – 20	300	Adsorption	2	017-512666
RT 101E	25 – 90	2.4 – 10	3.5 – 20	300	Adsorption	5	017-618066
RT 107E	70 – 150	6 – 25	1.8 – 8	215	Partial	2	017-515366
RT 107E	70 – 150	6 – 25	1.8 – 8	215	Partial	5	017-618266
RT 123E	150 – 250	6.5 – 30	1.8 – 9	300	Partial	2	017-521666
RT 123E	150 – 250	6.5 – 30	1.8 – 9	300	Partial	5	017-618366

**Table 6: Sensor pockets of RT-E thermostats**

Type	Material	Code no.
RT 14E, RT 107E, RT 123E, RT 101E	Brass	017-437066
	18/8 stainless steel	017-436966

## Certificates, declarations and approvals

The list contains all certificates, declarations, and approvals for this product type. Individual code number may have some or all of these approvals, and certain local approvals may not appear on the list.

Some approvals may change over time. You can check the most current status at [danfoss.com](http://danfoss.com) or contact your local Danfoss representative if you have any questions.

**Table 7: Certificates, declarations and approvals**

Document name	Document type	Document topic	Approval authority
10146.D.00075-19	UA Declaration	EMCD/LVD	LLC CDC EURO TYSK

## Online support

Danfoss offers a wide range of support along with our products, including digital product information, software, mobile apps, and expert guidance. See the possibilities below.

### The Danfoss Product Store



The Danfoss Product Store is your one-stop shop for everything product related—no matter where you are in the world or what area of the cooling industry you work in. Get quick access to essential information like product specs, code numbers, technical documentation, certifications, accessories, and more.

Start browsing at [store.danfoss.com](https://store.danfoss.com).

### Find technical documentation



Find the technical documentation you need to get your project up and running. Get direct access to our official collection of data sheets, certificates and declarations, manuals and guides, 3D models and drawings, case stories, brochures, and much more.

Start searching now at [www.danfoss.com/en/service-and-support/documentation](https://www.danfoss.com/en/service-and-support/documentation).

### Danfoss Learning



Danfoss Learning is a free online learning platform. It features courses and materials specifically designed to help engineers, installers, service technicians, and wholesalers better understand the products, applications, industry topics, and trends that will help you do your job better.

Create your Danfoss Learning account for free at [www.danfoss.com/en/service-and-support/learning](https://www.danfoss.com/en/service-and-support/learning).

### Get local information and support



Local Danfoss websites are the main sources for help and information about our company and products. Find product availability, get the latest regional news, or connect with a nearby expert—all in your own language.

Find your local Danfoss website here: [www.danfoss.com/en/choose-region](https://www.danfoss.com/en/choose-region).