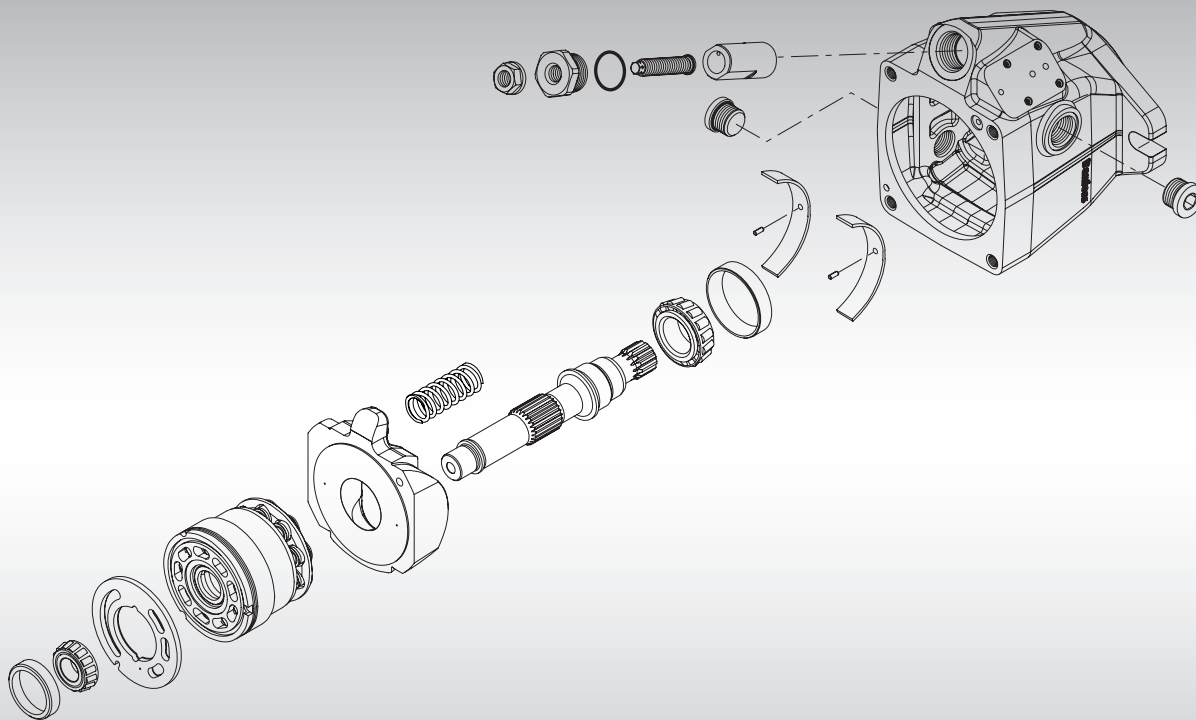




Parts Manual

Open Circuit Pumps Series 45 Frame K2, 25-45 cc





Contents



Contents

General Information	Service parts identification	4
	Nameplate	4
	Date code	5
	Service bulletins.....	5
	Procedure to identify a part.....	5
	Adobe Acrobat 2-page viewing	6
	Order code	7
Control	Electric proportional	8-15
	Electric on/off	16-21
	Electric dump.....	22-23
	Load sensing	24-25
	Pressure compensating.....	26-27
	Remote pressure compensating.....	26-27
	De-stroking valve	28-31
Choke orifice	Orifice	32-33
Gain orifice	Gain orifice.....	32-33
Input shaft	Shaft	34-69
End cap	End cap.....	34-69
Auxiliary mounting	Auxiliary mounting flange	34-69
Housing/shaft seal	Housing/shaft seal	70-71
Displacement limiter	Displacement limiter.....	70-71
Special hardware	Special hardware	72-73
Displacement	Displacement.....	72-73
Seal kit	Overhaul seal kit	74



General information

Service parts identification

The following information and procedure is used to identify the module group, item number, manufacture date, part number, and part name of the parts included in the Frame J open circuit pump. The Frame K2 includes the 25, 30, 38, 40 and 45 cc displacement pumps.

The parts listed include all parts which may be used when performing either "Minor Repairs", "Major Repairs" or "Conversions" Frame K2 open circuit pumps.

Nameplate

Each unit will have a nameplate affixed to the housing. The nameplate will include the following information.

Model Number

The Sauer-Danfoss model number is used by the factory in manufacturing. On repeat orders, a complete unit can be ordered by the model number.

Model Code

The Sauer-Danfoss model code completely defines the specific unit and must be used when ordering parts to service this product.

Serial Number

The Sauer-Danfoss serial number is used to identify the manufacture date and the unit sequence in the build. The serial number is also used to identify the units warranty time period.

The letter code indicates the location of original manufacture (assembly). "DC" indicates the unit was originally assembled in Slovakia.

The first 2 digits indicates the year of manufacture. ("02" would indicate the unit was manufactured in 2002)

The second 2 digits indicates the calendar week of manufacture.

The last 5 digits are a sequential number used to identify a specific unit.





General information

Date code

The date code is defined as the year and week of manufacture. The same item number may list more than one part number. This indicates that there is more than one configuration for that item number. You will see that there are different date codes for the different part numbers. Find the date code of your unit from the nameplate to determine which service part number you need to order.

EXAMPLE: The service part desired is Item C090

Order Code	Item	Date Begin	Date End	Part Number	Part Name	Qty. per Model/Kit
LB	C090	98-02		4570245	Spool	1
	C090	94-34	98-01	4570025	Spool (SB-1995-006)	1

Service bulletins

All units using this order code with a date code of 94-34 and up to and including 98-01, must use part number "4570025". All units with a date code of 98-02 and newer must use part number "4570245".

A Service Bulletin Number (SB-____-____) may follow the "Part Name" of the part you desire. You must read that Service Bulletin prior to ordering that part. The information contained in these Service Bulletins, as of the print date of this bulletin, are included at the end of this manual. Service Bulletins contain more detailed information such as interchangeability, what additional parts are involved, etc. It is suggested that you add additional Service Bulletins to this manual as you receive them.

Procedure to identify a part

General

The modular design of Series 45 units results in a simplified service parts list and part number identification procedure.

The same item numbers are used for same part names on all units within a product type. (Example: The lip seal - Item K020 has the same item number on all pumps.)

A part number that has another number following it in parentheses is done to make this a world wide manual. The first number is sold in Europe. The number in parentheses is sold in the United States. (Example: 016014 (9006200-0206), customers would order 9006200-0206 if ordering the part in the United States.)

Example of a Part Identification

The nameplate on a Series 45 pump has an Order Code of K2-R-038C-LS-25-25-NN-N-3-C2MR-A5N-PLB-NNN-NNN. Do this to determine the part number of the drive shaft used on this pump.

- 1) Referring to the input shaft module in the Order Code (see page 7), the input shaft option for this pump is identified by the code **C2MR** (K2-R-038C-LS-25-25-NN-N-3-**C2MR**-A5N-PLB-NNN-NNN)
- 2) Referring to the Service Parts List, find the shaft group.
- 3) Find the order code that relates to this unit, which is **C2MR**.
- 4) The shaft is item J010.
- 5) The part number is 1700058.

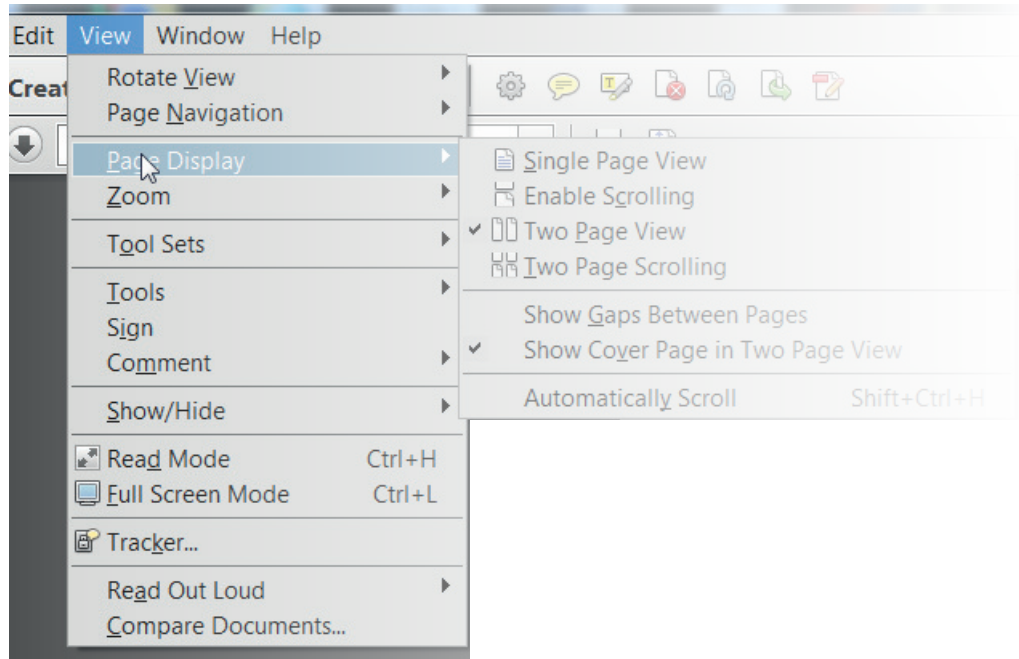


Adobe Acrobat 2-page viewing

Adobe Acrobat 2-page viewing

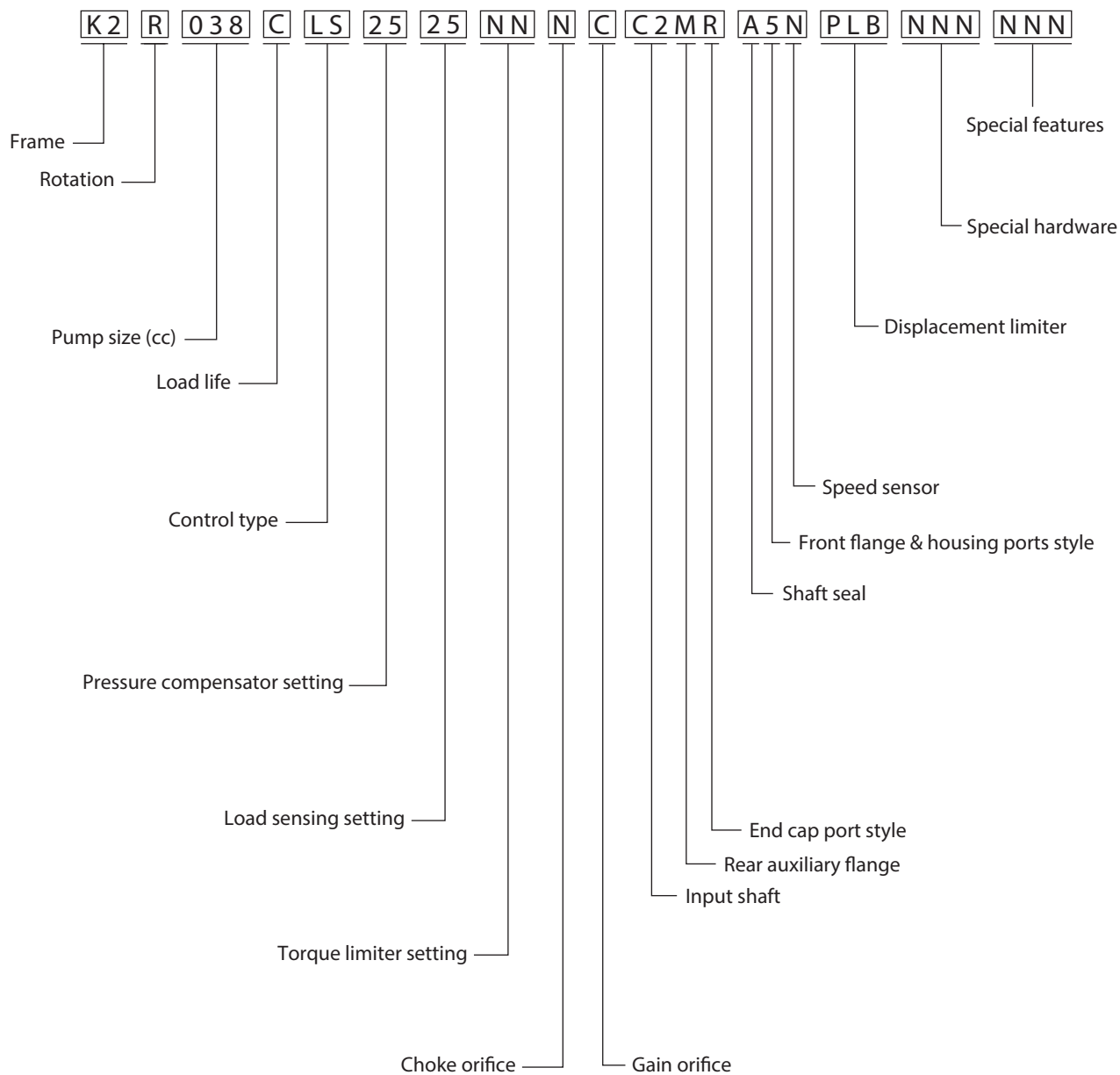
While viewing manual in Adobe Acrobat, the following settings need to be applied to ensure proper page display.

1. Select "View" --> "Page Display" --> "Two Page View"
2. Select "View" --> "Page Display" --> "Show Cover Page in Two Page View"





Order code

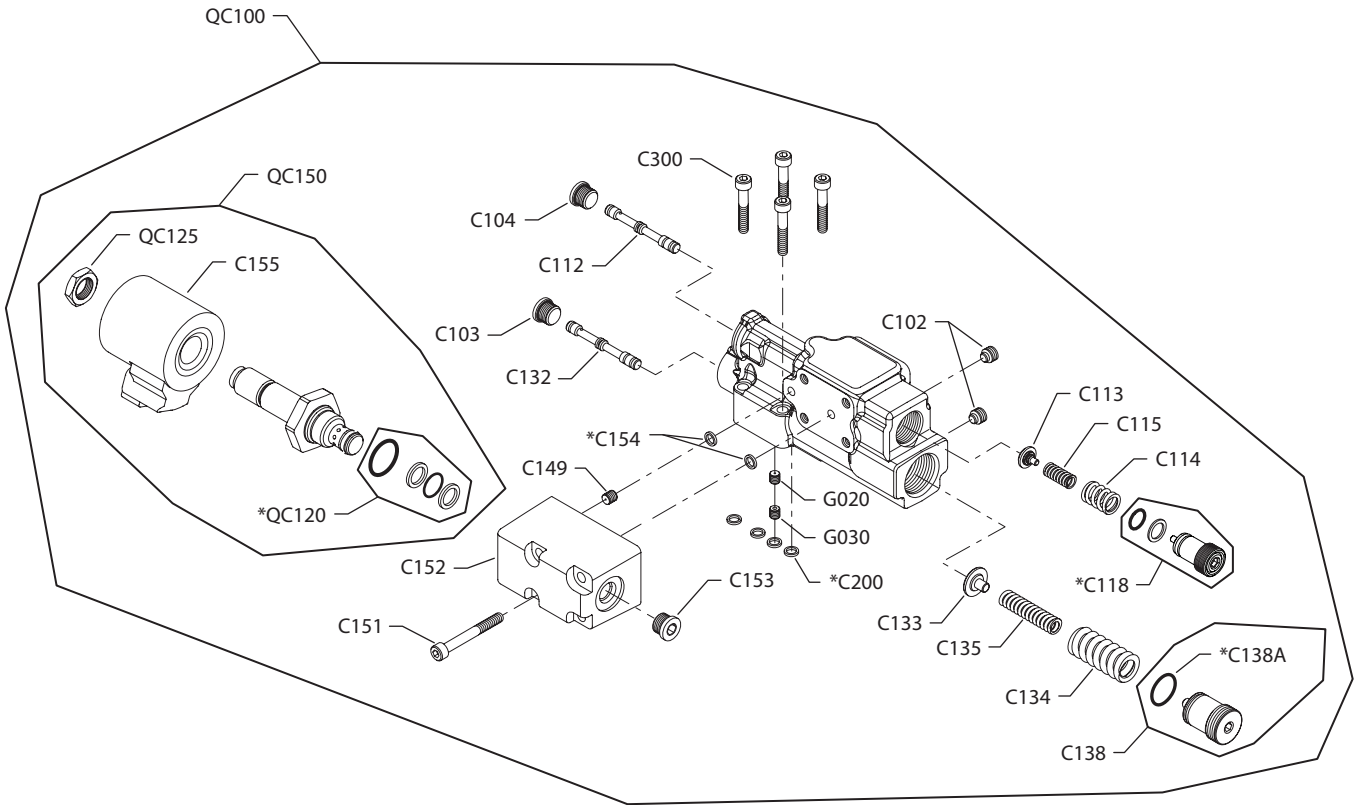


P109 512E



Control

(AH)



E101 621E

* = included in base motor seal kit Q210

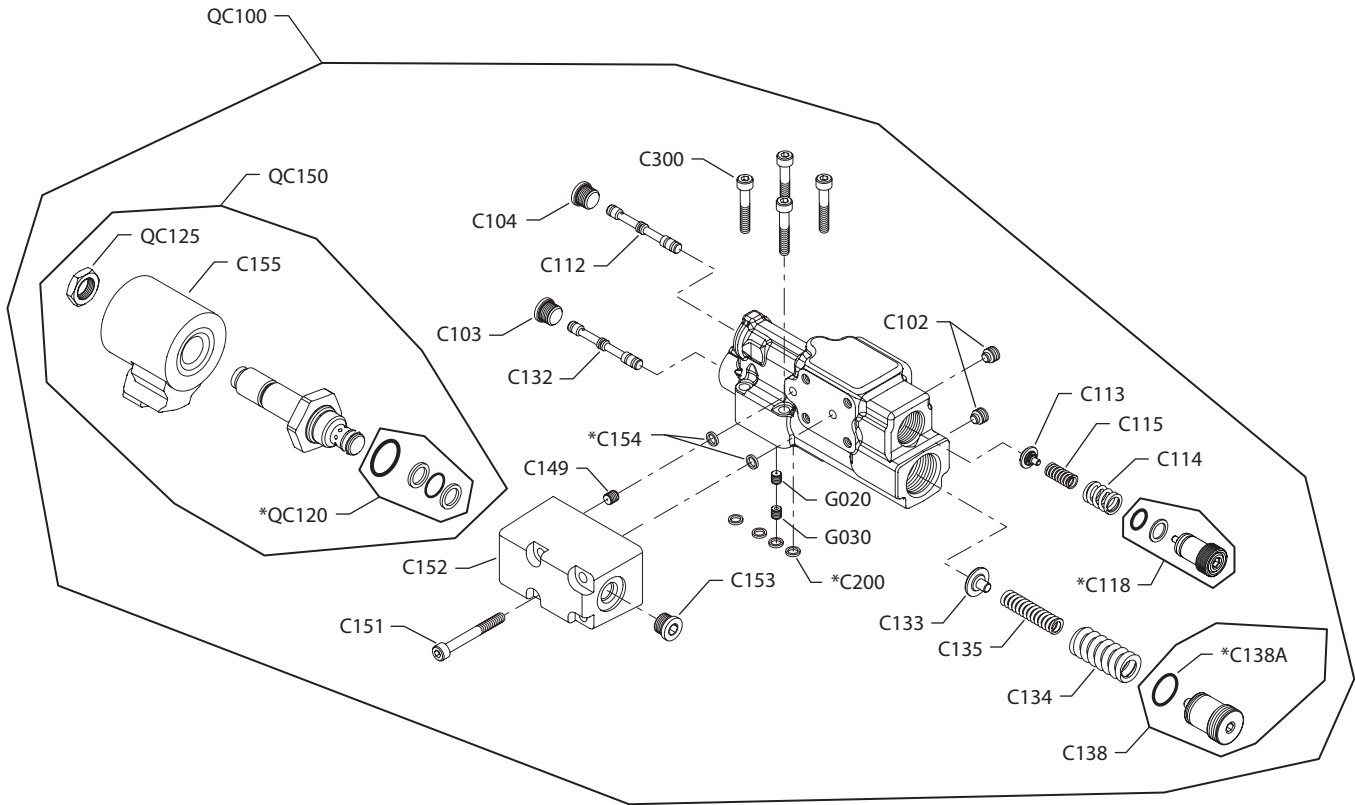

Control
Electric proportional control

Order code	Item	Date begin	Date end	Part number	Part name	Qty. per model/kit
AH	C102	17-14		4740064	Set screw	2
	C103	17-14		327007 (9005110-4400)	Plug assembly	1
	C104	17-14		327007 (9005110-4400)	Plug assembly	1
	C112	17-14		1701439	Spool	1
	C113	17-14		4740301	Spring guide	1
	C114	17-14		4740061	Spring	1
	C115	17-14		4740062	Spring	1
	C118	17-14		11062214	Adjusting plug assembly	1
	C132	17-14		1701124	Spool	1
	C133	17-14		4740247	Spring guide	1
	C134	17-14		4740051	Spring, PC outer	1
	C135	17-14		4740052	Spring, PC inner	1
	C138	17-14		11062379	Adjusting plug assembly	1
	C138A	17-14		5000656	O-ring	1
	C149	17-14		739144	Orifice plug, 0.8mm	1
	C151	17-14		9007315-0510	Screw	4
	C152	17-14		11150082	Solenoid valve adapter	1
	C153	17-14		327007 (9005110-4400)	Plug assembly	1
	C154	17-14		4740154	Seal ring	2
	C155	17-14		1701291	Coil, 12 volt	1
	C200	17-14		4740154	Seal ring	4
	C300	17-14		5000164 (9007315-0507)	Screw	4
	G020	17-14		739144	Orifice, 0.8mm	1
	G020	17-14		519659	Orifice, 1.0mm	1
	G030	17-14		518215	Orifice plug	1
	QC100	17-14		11112221	Control Kit, electric prop. 12 volt, NC	1
	QC120	17-14		11103621	Solenoid valve seal kit	1
	QC125	17-14		11104460	Nut	1
	QC150	17-14		11104467	Solenoid valve kit, 12 volt	1



Control

(AL)



E101 621E

* = included in base motor seal kit Q210

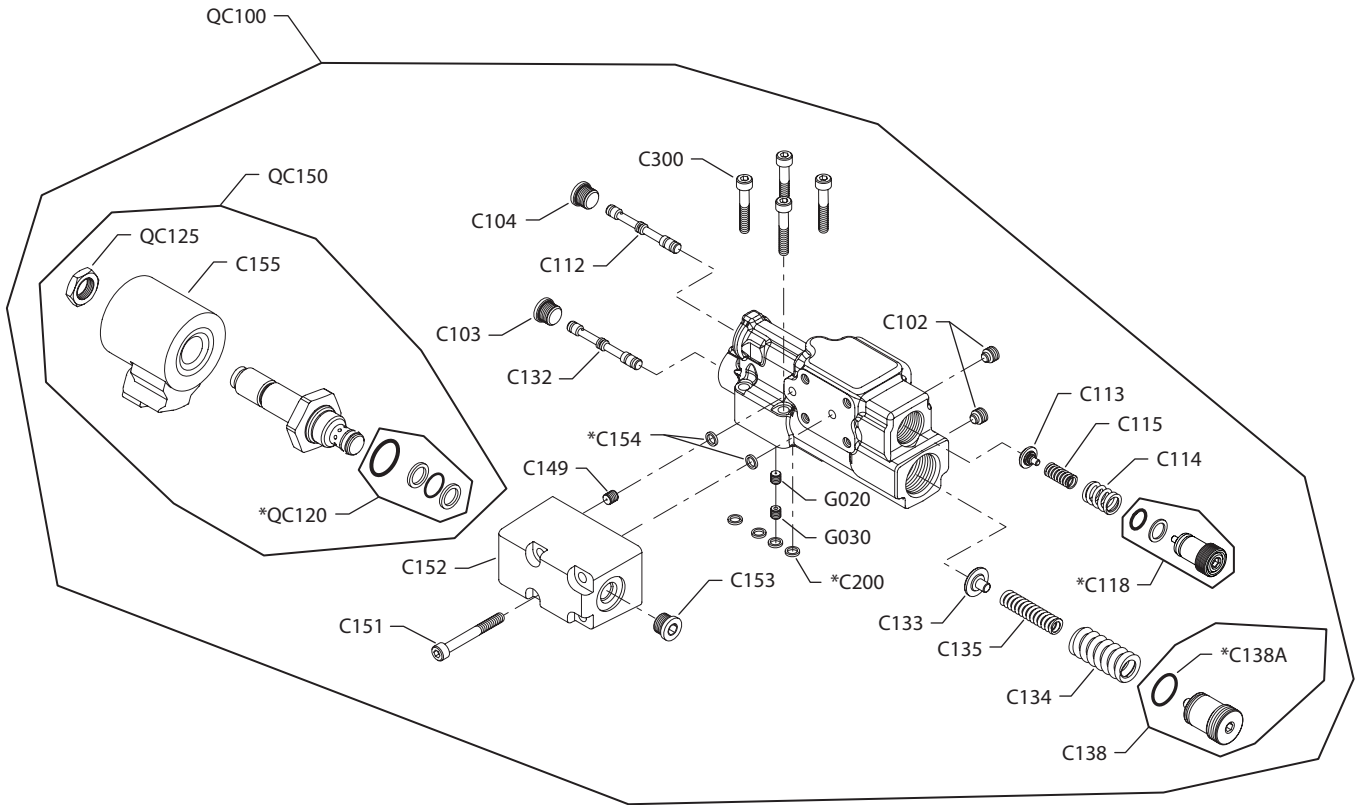

Control
Electric proportional control

Order code	Item	Date begin	Date end	Part number	Part name	Qty. per model/kit
AL	C102	17-14		4740064	Set screw	2
	C103	17-14		327007 (9005110-4400)	Plug assembly	1
	C104	17-14		327007 (9005110-4400)	Plug assembly	1
	C112	17-14		1701439	Spool	1
	C113	17-14		4740301	Spring guide	1
	C114	17-14		4740061	Spring	1
	C115	17-14		4740062	Spring	1
	C118	17-14		11062214	Adjusting plug assembly	1
	C132	17-14		1701124	Spool	1
	C133	17-14		4740247	Spring guide	1
	C134	17-14		4740051	Spring, PC outer	1
	C135	17-14		4740052	Spring, PC inner	1
	C138	17-14		11062379	Adjusting plug assembly	1
	C138A	17-14		5000656	O-ring	1
	C149	17-14		739144	Orifice plug, 0.8mm	1
	C151	17-14		9007315-0510	Screw	4
	C152	17-14		11150082	Solenoid valve adapter	1
	C153	17-14		327007 (9005110-4400)	Plug assembly	1
	C154	17-14		4740154	Seal ring	2
	C155	17-14		1701563	Coil, 24 volt	1
	C200	17-14		4740154	Seal ring	4
	C300	17-14		5000164 (9007315-0507)	Screw	4
	G020	17-14		739144	Orifice, 0.8mm	1
	G020	17-14		519659	Orifice, 1.0mm	1
	G030	17-14		518215	Orifice plug	1
	QC100	17-14		11112218	Control Kit, electric prop. 24 volt, NC	1
	QC120	17-14		11103621	Solenoid valve seal kit	1
	QC125	17-14		11104460	Nut	1
	QC150	17-14		11104468	Solenoid valve kit, 24 volt	1



Control

(AX)



E101 621E

* = included in base motor seal kit Q210

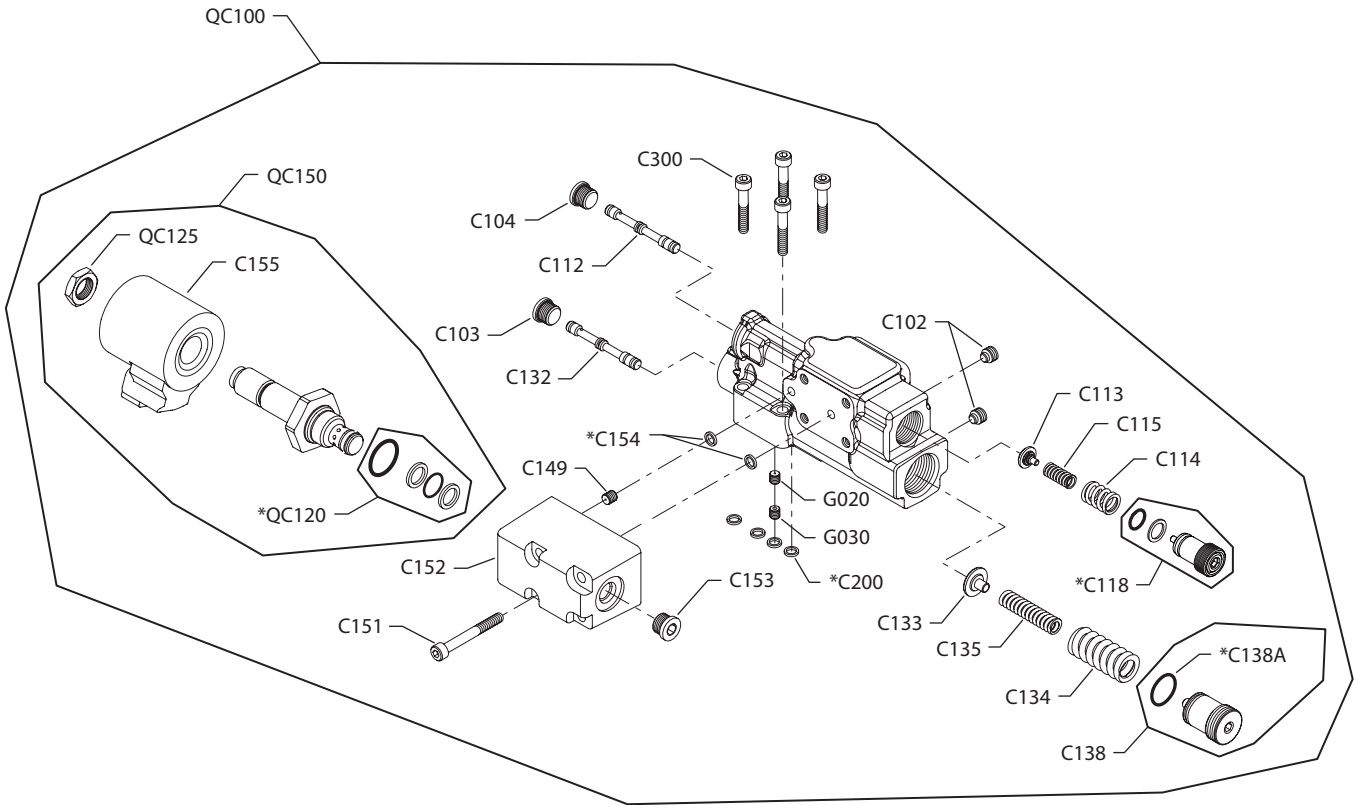

Control
Electric proportional control

Order code	Item	Date begin	Date end	Part number	Part name	Qty. per model/kit
AX	C102	17-14		4740064	Set screw	2
	C103	17-14		327007 (9005110-4400)	Plug assembly	1
	C104	17-14		327007 (9005110-4400)	Plug assembly	1
	C112	17-14		1701439	Spool	1
	C113	17-14		4740301	Spring guide	1
	C114	17-14		4740061	Spring	1
	C115	17-14		4740062	Spring	1
	C118	17-14		11062214	Adjusting plug assembly (SB-2010-026)	1
	C132	17-14		1701124	Spool	1
	C133	17-14		4740247	Spring guide	1
	C134	17-14		4740051	Spring, PC outer	1
	C135	17-14		4740052	Spring, PC inner	1
	C138	17-14		11062379	Adjusting plug assembly (SB-2010-026)	1
	C138A	17-14		5000656	O-ring	1
	C149	17-14		739144	Orifice plug, 0.8mm	1
	C151	17-14		9007315-0510	Screw	4
	C152	17-14		11150082	Solenoid valve adapter (SB-2016-007)	1
	C153	17-14		327007 (9005110-4400)	Plug assembly	1
	C154	17-14		4740154	Seal ring	2
	C155	17-14		1701291	Coil, 12 volt	1
	C200	17-14		4740154	Seal ring	4
	C300	17-14		5000164 (9007315-0507)	Screw	4
	G020	17-14		739144	Orifice, 0.8mm (SB-2012-011)	1
	G020	17-14		519659	Orifice, 1.0mm (SB-2012-011)	1
	G030	17-14		518215	Orifice plug (SB-2012-011)	1
	QC100	17-14		11112230	Control Kit, electric prop. 12 v, NO (SB-2012-011)	1
	QC120	17-14		11103621	Solenoid valve seal kit	1
	QC125	17-14		11104459	Nut	1
	QC150	17-14		11104465	Solenoid valve kit, 12 volt	1



Control

(CL)



E101 621E

* = included in base motor seal kit Q210

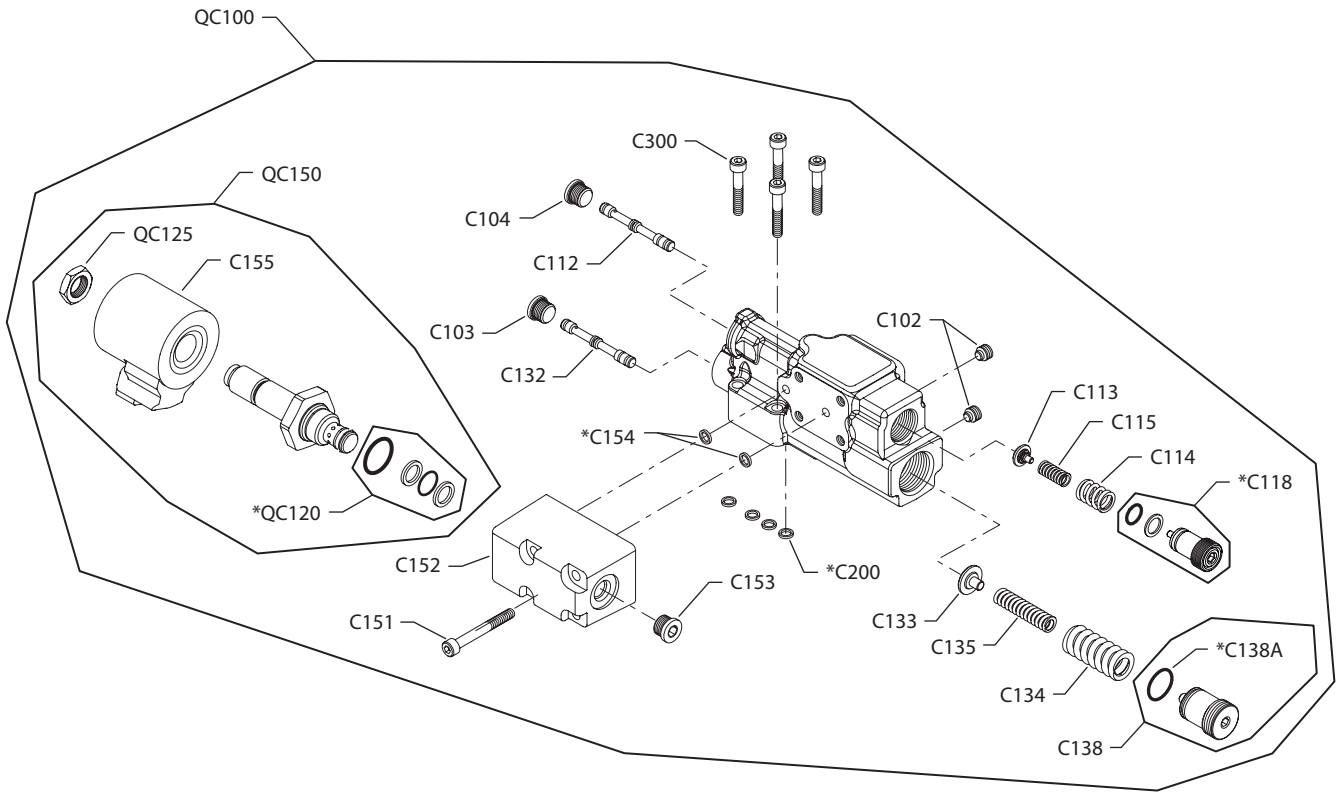

Control
Electric proportional control

Order code	Item	Date begin	Date end	Part number	Part name	Qty. per model/kit
CL	C102	17-14		4740064	Set screw	2
	C103	17-14		327007 (9005110-4400)	Plug assembly	1
	C104	17-14		327007 (9005110-4400)	Plug assembly	1
	C112	17-14		1701439	Spool	1
	C113	17-14		4740301	Spring guide	1
	C114	17-14		4740061	Spring	1
	C115	17-14		4740062	Spring	1
	C118	17-14		11062214	Adjusting plug assembly (SB-2010-026)	1
	C132	17-14		1701124	Spool	1
	C133	17-14		4740247	Spring guide	1
	C134	17-14		4740051	Spring, PC outer	1
	C135	17-14		4740052	Spring, PC inner	1
	C138	17-14		11062379	Adjusting plug assembly (SB-2010-026)	1
	C138A	17-14		5000656	O-ring	1
	C149	17-14		739144	Orifice plug, 0.8mm	1
	C151	17-14		9007315-0510	Screw	4
	C152	17-14		11150082	Solenoid valve adapter (SB-2016-007)	1
	C153	17-14		327007 (9005110-4400)	Plug assembly	1
	C154	17-14		4740154	Seal ring	2
	C155	17-14		1701563	Coil, 24 volt	1
	C200	17-14		4740154	Seal ring	4
	C300	17-14		5000164 (9007315-0507)	Screw	4
	G020	17-14		739144	Orifice, 0.8mm (SB-2012-011)	1
	G020	17-14		519659	Orifice, 1.0mm (SB-2012-011)	1
	G030	17-14		518215	Orifice plug (SB-2012-011)	1
	QC100	17-14		11112231	Control Kit, electric prop., 24v, NO (SB-2012-011)	1
	QC120	17-14		11103621	Solenoid valve seal kit	1
	QC125	17-14		11104459	Nut	1
	QC150	17-14		11104466	Solenoid valve kit, 24 volt	1



Control

(AN)



E101 622E

* = included in base motor seal kit Q210

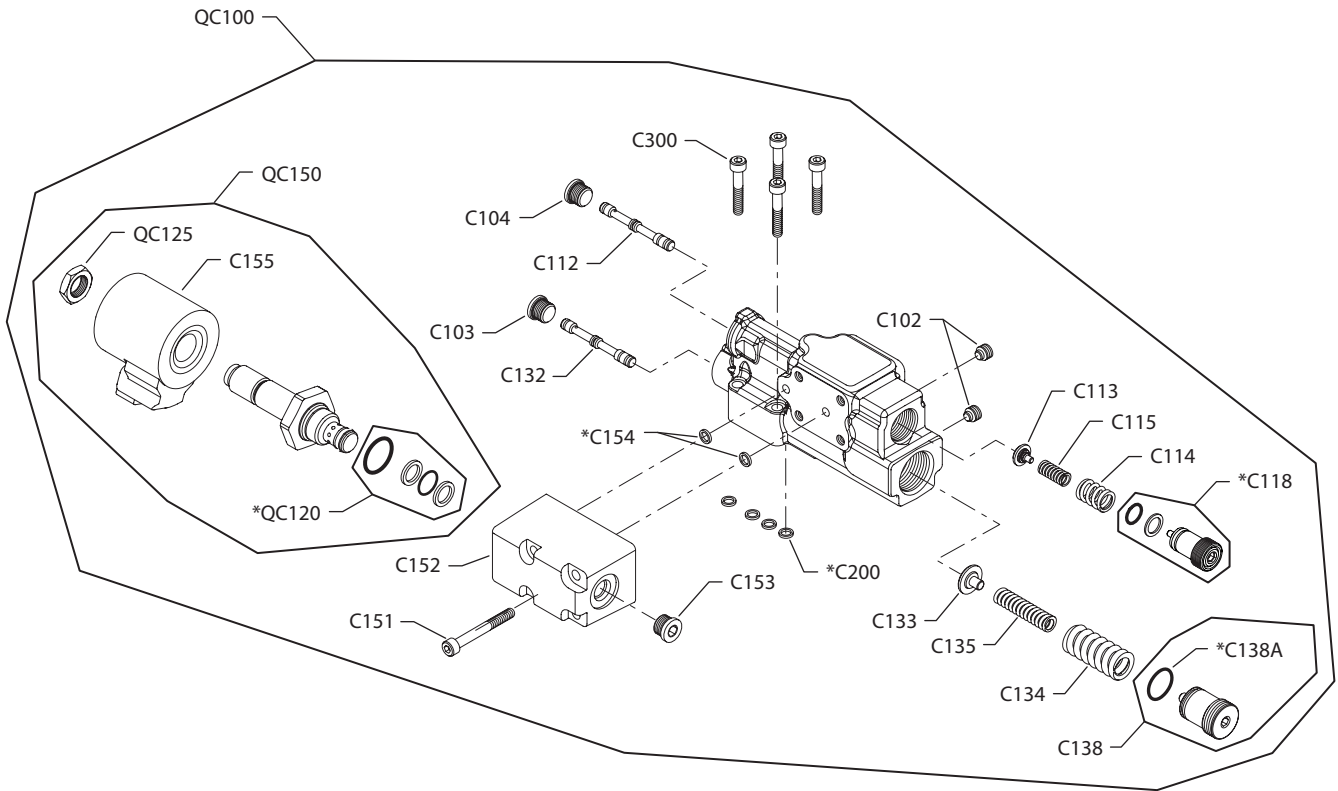

Control
Electric on/off control

Order code	Item	Date begin	Date end	Part number	Part name	Qty. per model/kit
AN	C102	17-14		4740064	Set screw	2
	C103	17-14		327007 (9005110-4400)	Plug assembly	1
	C104	17-14		327007 (9005110-4400)	Plug assembly	1
	C112	17-14		4740300	Spool	1
	C113	17-14		4740301	Spring guide	1
	C114	17-14		4740061	Spring	1
	C115	17-14		4740062	Spring	1
	C118	17-14		11062214	Adjusting plug assembly (SB-2010-026)	1
	C132	17-14		1701124	Spool	1
	C133	17-14		4740247	Spring guide	1
	C134	17-14		4740051	Spring, PC outer	1
	C135	17-14		4740052	Spring, PC inner	1
	C138	17-14		11062379	Adjusting plug assembly (SB-2010-026)	1
	C138A	17-14		5000656	O-ring	1
	C151	17-14		9007315-0510	Screw	4
	C152	17-14		11150082	Solenoid valve adapter (SB-2016-007)	1
	C153	17-14		327007 (9005110-4400)	Plug assembly	1
	C154	17-14		4740154	Seal ring	2
	C155	17-14		1701291	Coil, 12 volt	1
	C200	17-14		4740154	Seal ring	4
	C300	17-14		5000164 (9007315-0507)	Screw	4
	QC100	17-14		11112229	Control Kit, electric on/off 12 volt, NO (SB-2012-011)	1
	QC120	17-14		11103621	Solenoid valve seal kit	1
	QC125	17-14		11104457	Nut	1
	QC150	17-14		11104461	Solenoid valve kit, 12 volt	1



Control

(AR)



E101 622E

* = included in base motor seal kit Q210

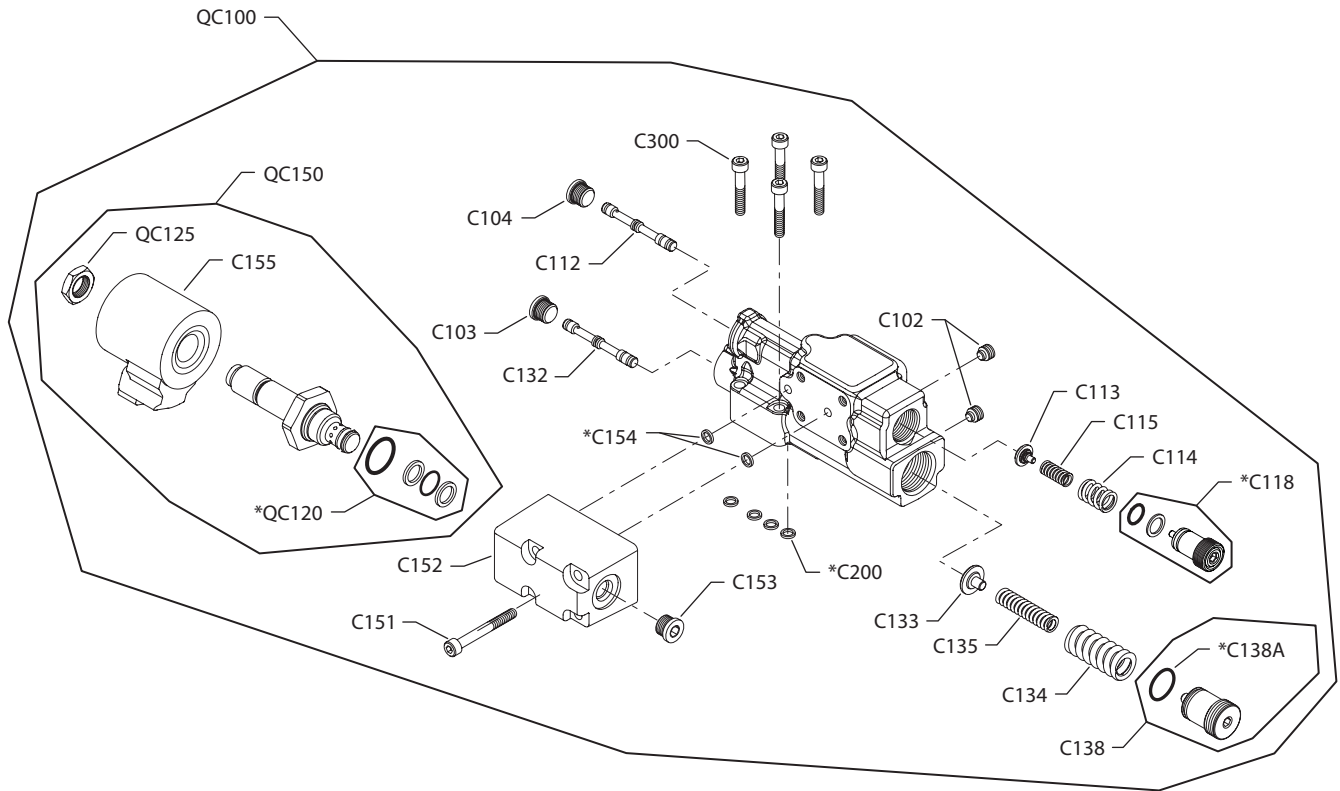

Control
Electric on/off control

Order code	Item	Date begin	Date end	Part number	Part name	Qty. per model/kit
AR	C102	17-14		4740064	Set screw	2
	C103	17-14		327007 (9005110-4400)	Plug assembly	1
	C104	17-14		327007 (9005110-4400)	Plug assembly	1
	C112	17-14		4740300	Spool	1
	C113	17-14		4740301	Spring guide	1
	C114	17-14		4740061	Spring	1
	C115	17-14		4740062	Spring	1
	C118	17-14		11062214	Adjusting plug assembly (SB-2010-026)	1
	C132	17-14		1701124	Spool	1
	C133	17-14		4740247	Spring guide	1
	C134	17-14		4740051	Spring, PC outer	1
	C135	17-14		4740052	Spring, PC inner	1
	C138	17-14		11062379	Adjusting plug assembly (SB-2010-026)	1
	C138A	17-14		5000656	O-ring	1
	C151	17-14		9007315-0510	Screw	4
	C152	17-14		11150082	Solenoid valve adapter (SB-2016-007)	1
	C153	17-14		327007 (9005110-4400)	Plug assembly	1
	C154	17-14		4740154	Seal ring	2
	C155	17-14		1701291	Coil, 12 volt	1
	C200	17-14		4740154	Seal ring	4
	C300	17-14		5000164 (9007315-0507)	Screw	4
	QC100	17-14		11112220	Control Kit, electric on/off 12 volt, NC (SB-2012-011)	1
	QC120	17-14		11103621	Solenoid valve seal kit	1
	QC125	17-14		11104457	Nut	1
	QC150	17-14		11104463	Solenoid valve kit, 12 volt	1



Control

(CN & CR)



E101 622E

* = included in base motor seal kit Q210

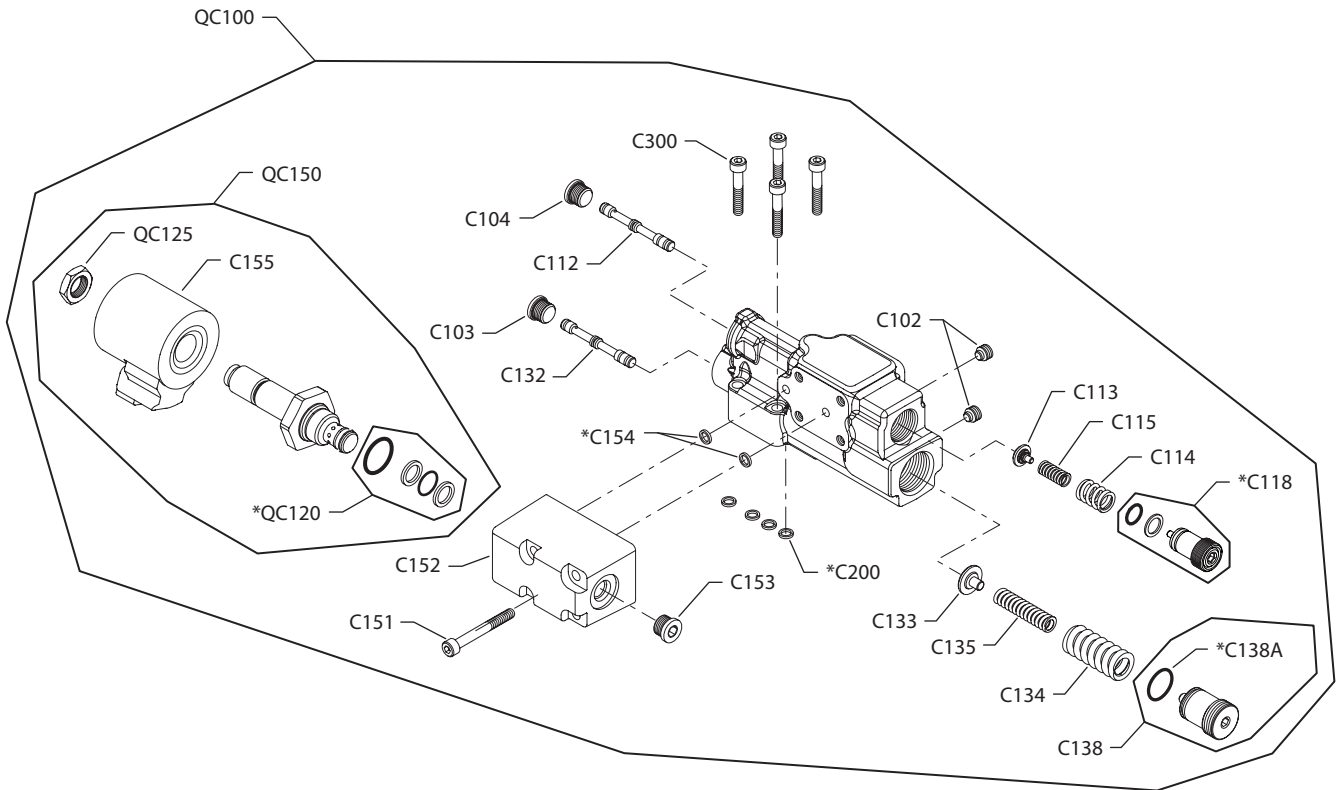

Control
Electric on/off control

Order code	Item	Date begin	Date end	Part number	Part name	Qty. per model/kit	
CN	C102	17-14		4740064	Set screw	2	
	C103	17-14		327007 (9005110-4400)	Plug assembly	1	
	C104	17-14		327007 (9005110-4400)	Plug assembly	1	
	C112	17-14		4740300	Spool	1	
	C113	17-14		4740301	Spring guide	1	
	C114	17-14		4740061	Spring	1	
	C115	17-14		4740062	Spring	1	
	C118	17-14		11062214	Adjusting plug assembly (SB-2010-026)	1	
	C132	17-14		1701124	Spool	1	
	C133	17-14		4740247	Spring guide	1	
	C134	17-14		4740051	Spring, PC outer	1	
	C135	17-14		4740052	Spring, PC inner	1	
	C138	17-14		11062379	Adjusting plug assembly (SB-2010-026)	1	
	C138A	17-14		5000656	O-ring	1	
	C151	17-14		9007315-0510	Screw	4	
	C152	17-14		11150082	Solenoid valve adapter (SB-2016-007)	1	
	C153	17-14		327007 (9005110-4400)	Plug assembly	1	
	C154	17-14		4740154	Seal ring	2	
	C155	17-14		1701563	Coil, 24 volt	1	
	C200	17-14		4740154	Seal ring	4	
	C300	17-14		5000164 (9007315-0507)	Screw	4	
	QC100	17-14		11112226	Control Kit, electric on/off 24v, NO (SB-2012-011)	1	
	QC120	17-14		11103621	Solenoid valve seal kit	1	
	QC125	17-14		11104457	Nut	1	
	QC150	17-14		11104462	Solenoid valve kit, 24 volt	1	
	CR	C102	17-14		4740064	Set screw	2
		C103	17-14		327007 (9005110-4400)	Plug assembly	1
		C104	17-14		327007 (9005110-4400)	Plug assembly	1
		C112	17-14		4740300	Spool	1
		C113	17-14		4740301	Spring guide	1
C114		17-14		4740061	Spring	1	
C115		17-14		4740062	Spring	1	
C118		17-14		11062214	Adjusting plug assembly (SB-2010-026)	1	
C132		17-14		1701124	Spool	1	
C133		17-14		4740247	Spring guide	1	
C134		17-14		4740051	Spring, PC outer	1	
C135		17-14		4740052	Spring, PC inner	1	
C138		17-14		11062379	Adjusting plug assembly (SB-2010-026)	1	
C138A		17-14		5000656	O-ring	1	
C151		17-14		9007315-0510	Screw	4	
C152		17-14		11150082	Solenoid valve adapter (SB-2016-007)	1	
C153		17-14		327007 (9005110-4400)	Plug assembly	1	
C154		17-14		4740154	Seal ring	2	
C155		17-14		1701563	Coil, 24 volt	1	
C200		17-14		4740154	Seal ring	4	
C300		17-14		5000164 (9007315-0507)	Screw	4	
QC100		17-14		11112217	Control Kit, electric on/off 24v, NC (SB-2012-011)	1	
QC120		17-14		11103621	Solenoid valve seal kit	1	
QC125		17-14		11104457	Nut	1	
QC150		17-14		11104464	Solenoid valve kit, 24 volt	1	



Control

(FB)



E101 622E

* = included in base motor seal kit Q210

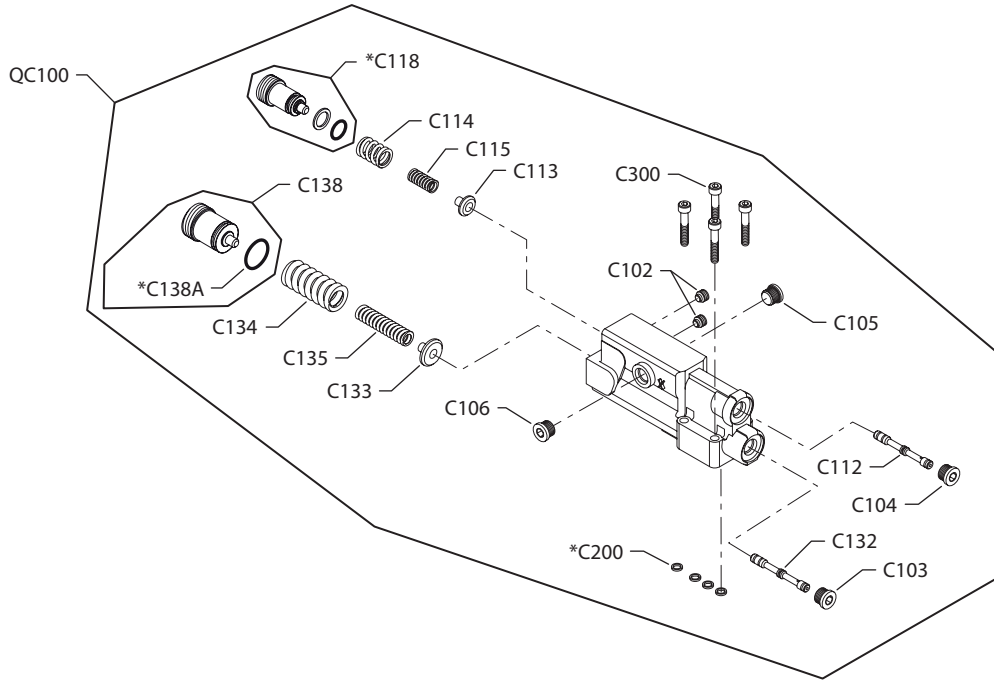

Control
Electric dump control

Order code	Item	Date begin	Date end	Part number	Part name	Qty. per model/kit
FB	C102	17-14		4740064	Set screw	2
	C103	17-14		327007 (9005110-4400)	Plug assembly	1
	C104	17-14		327007 (9005110-4400)	Plug assembly	1
	C112	17-14		1701124	Spool	1
	C113	17-14		4740246	Spring guide	1
	C114	17-14		4740061	Spring	1
	C115	17-14		4740062	Spring	1
	C118	17-14		11062214	Adjusting plug assembly	1
	C132	17-14		1701124	Spool	1
	C133	17-14		4740247	Spring guide	1
	C134	17-14		4740051	Spring, PC outer	1
	C135	17-14		4740052	Spring, PC inner	1
	C138	17-14		11062379	Adjusting plug assembly	1
	C138A	17-14		5000656	O-ring	1
	C151	17-14		9007315-0510	Screw	4
	C152	17-14		11150082	Solenoid valve adapter (SB-2016-007)	1
	C153	17-14		327007 (9005110-4400)	Plug assembly	1
	C154	17-14		4740154	Seal ring	2
	C155	17-14		1701291	Coil, 12 volt	1
	C200	17-14		4740154	Seal ring	4
	C300	17-14		5000164 (9007315-0507)	Screw	4
	QC100	17-14		11112223	Control Kit, electric dump 12v, NC (SB-2012-011)	1
	QC120	17-14		11103621	Solenoid valve seal kit	1
	QC125	17-14		11104457	Nut	1
	QC150	17-14		11104463	Solenoid valve kit, 12 volt	1



Control

(LB, LJ & LS)



E100 536E

* = included in base motor seal kit Q210


Control
Common load sensing control parts

Order Code	Item	Date Begin	Date End	Part Number	Part Name	Qty. per Model/Kit
	C102	17-14		4740064	Set screw	2
	C103	17-14		327007 (9005110-4400)	Plug assembly	1
	C104	17-14		327007 (9005110-4400)	Plug assembly	1
	C113	17-14		4740246	Spring guide	1
	C114	17-14		4740061	Spring	1
	C115	17-14		4740062	Spring	1
	C118	17-14		11062214	Adjusting plug assembly	1
	C132	17-14		1701124	Spool	1
	C133	17-14		4740247	Spring guide	1
	C134	17-14		4740051	Spring, outer	1
	C135	17-14		4740052	Spring, inner	1
	C138	17-14		11062379	Adjusting plug assembly	1
	C138A	17-14		5000656	O-ring	1
	C200	17-14		4740154	Seal ring	4
	C300	17-14		5000164 (9007315-0507)	Screw, M5 x 30	4

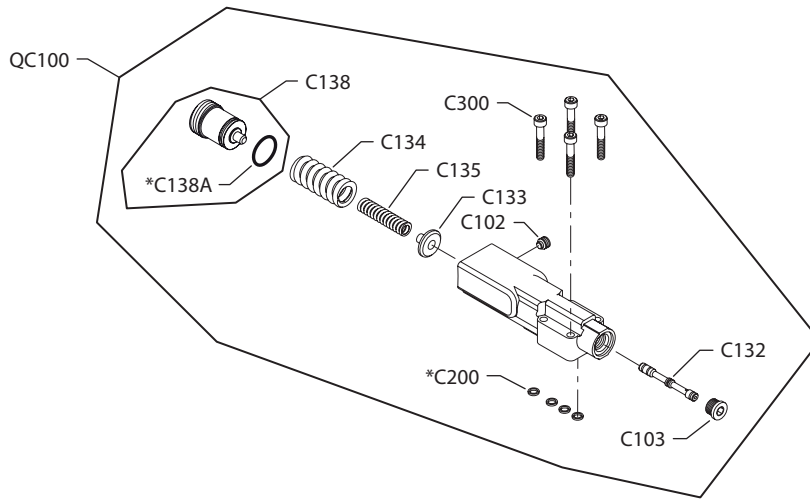
Load sensing control

LB	C105	17-14		327007 (9005110-4400)	Plug assembly	1
	C106	17-14		327007 (9005110-4400)	Plug assembly	1
	C112	17-14		4740309	Spool	1
	QC100	17-14		11112205	Control Kit	1
LJ	C105	17-14		5000572	Plug assembly, M12	1
	C106	17-14		5000572	Plug assembly, M12	1
	C112	17-14		1701124	Spool	1
	QC100	17-14		4510444	Control kit, load sensing, metric	1
LS	C105	17-14		327007 (9005110-4400)	Plug assembly	1
	C106	17-14		327007 (9005110-4400)	Plug assembly	1
	C112	17-14		1701124	Spool	1
	QC100	17-14		11112208	Control kit, load sensing (SB-2012-011)	1

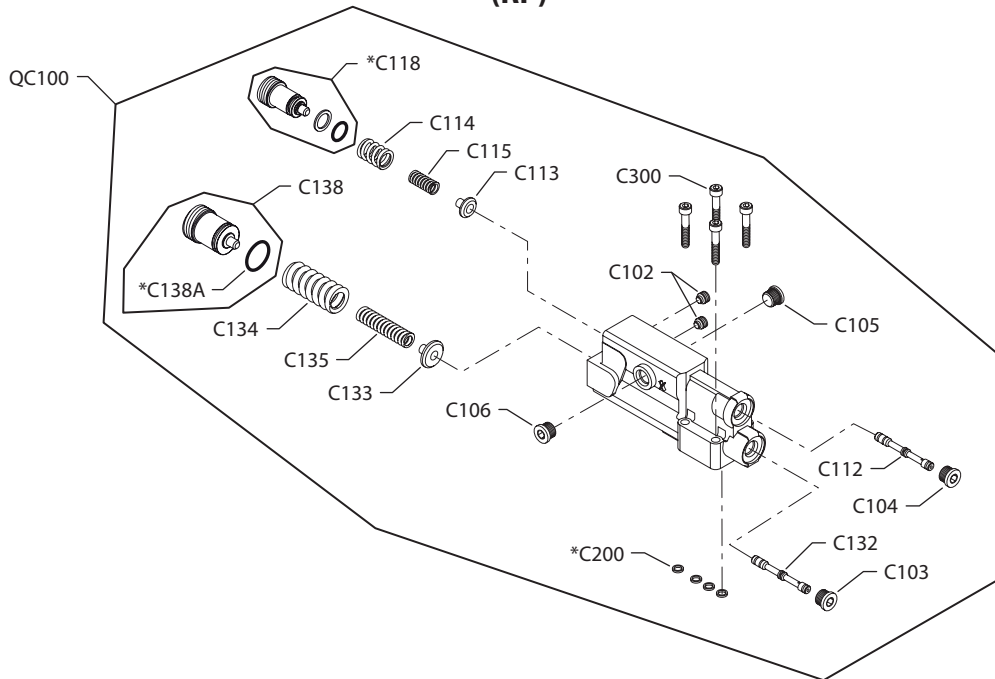


Control

(PC)



(RP)



E103 594E

* = included in base motor seal kit Q210

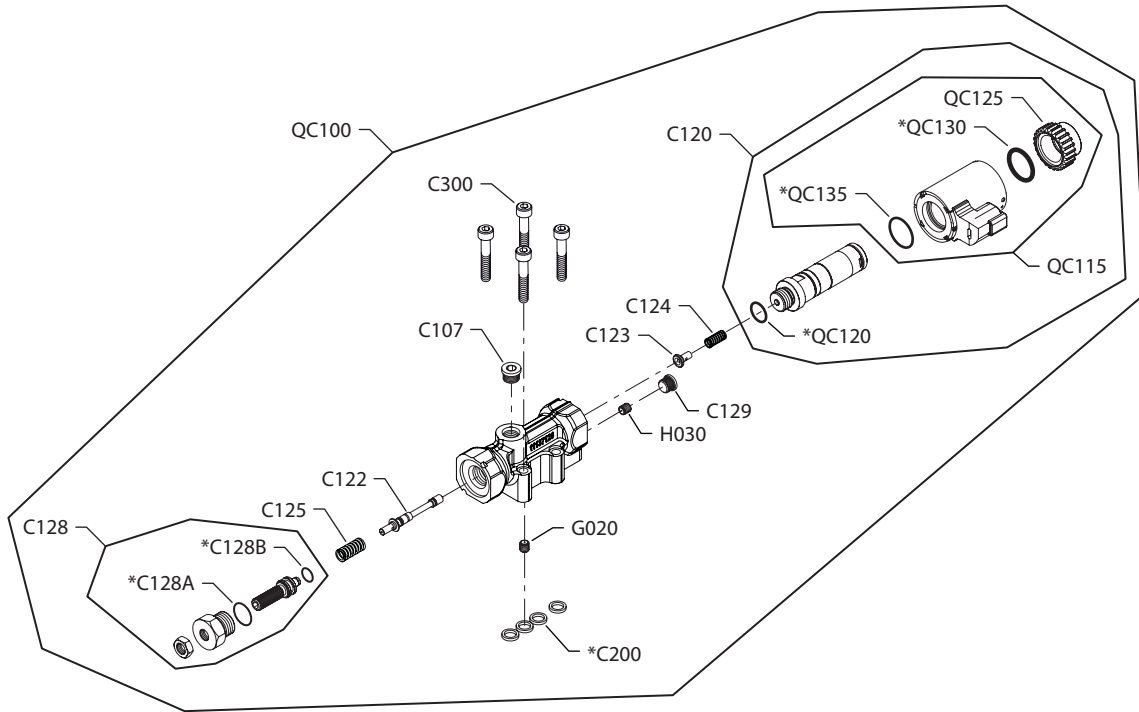

Control
Pressure compensating control

Order code	Item	Date begin	Date end	Part number	Part name	Qty. per model/kit
PC	C102	17-14		4740064	Set screw	1
	C103	17-14		327007 (9005110-4400)	Plug assembly	1
	C132	17-14		1701124	Spool	1
	C133	17-14		4740247	Spring guide (SB-2002-034)	1
	C134	17-14		4740051	Spring, outer	1
	C135	17-14		4740052	Spring, inner	1
	C138	17-14		11062379	Adjusting plug assembly	1
	C138A	17-14		5000656	O-ring	1
	C200	17-14		4740154	Seal ring	4
	C300	17-14		5000164 (9007315-0507)	Screw	4
	QC100	17-14		4510422	Control kit, PC	1
	RP	C102	17-14		4740064	Set screw
C103		17-14		327007 (9005110-4400)	Plug assembly	1
C104		17-14		327007 (9005110-4400)	Plug assembly	1
C105		17-14		327007 (9005110-4400)	Plug assembly	1
C106		17-14		327007 (9005110-4400)	Plug assembly	1
C112		17-14		4740300	Spool	1
C113		17-14		4740301	Spring guide	1
C114		17-14		4740061	Spring	1
C115		17-14		4740062	Spring	1
C118		17-14		11062214	Adjusting plug	1
C132		17-14		1701124	Spool	1
C133		17-14		4740247	Spring guide	1
C134		17-14		4740051	Spring, PC outer	1
C135		17-14		4740052	Spring, PC inner	1
C138		17-14		11062379	Adjusting plug assembly	1
C138A		17-14		5000656	O-ring	1
C200		17-14		4740154	Seal ring	4
C300		17-14		5000164 (9007315-0507)	Screw	4
QC100		17-14		11112213	Control Kit, remote PC	1



Control

(SA & SB)



E103 508E

* = included in base motor seal kit Q210

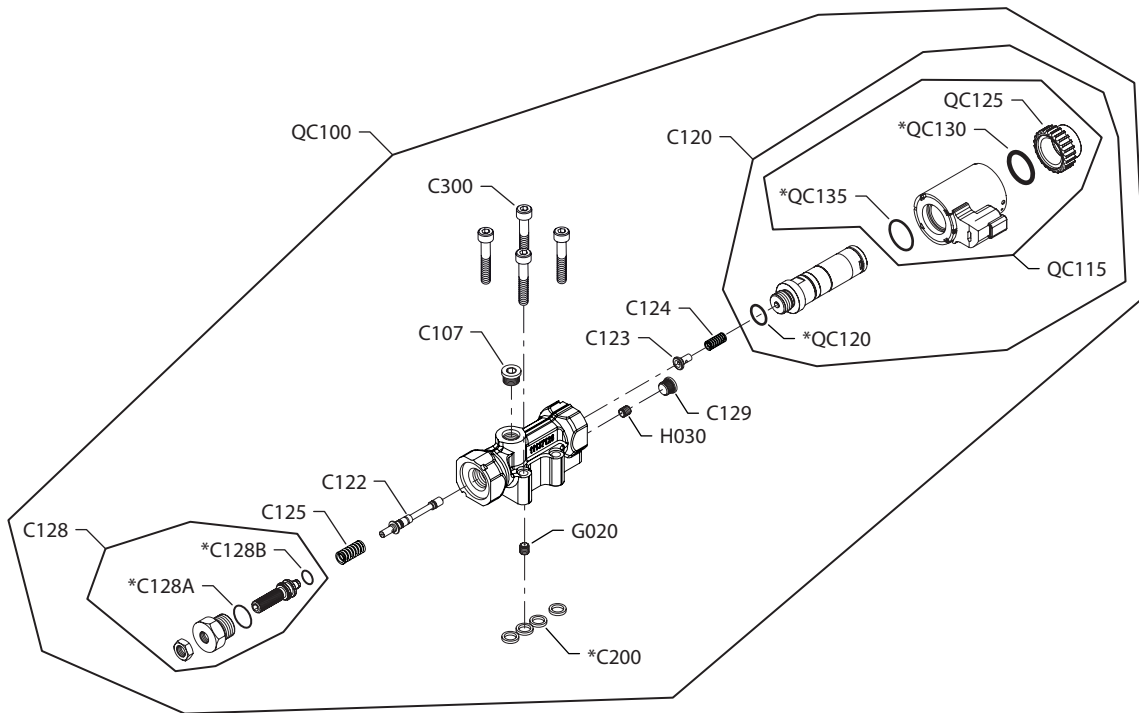

Control
Fan drive control

Order code	Item	Date begin	Date end	Part number	Part name	Qty. per model/kit	
SA	C107	17-14		327007 (9005110-4400)	Plug assembly	1	
	C120	17-14		11013613	Solenoid valve, 12 volt	1	
	C122	17-14		11168804	Spool	1	
	C123	17-14		11168807	Spring guide	1	
	C124	17-14		11167423	Spring	1	
	C125	17-14		11167424	Spring	1	
	C128	17-14		11145569	Pressure adjuster assembly	1	
	C128A	17-14		085043 (9004201-3700)	O-ring	1	
	C128B	17-14		732479	O-ring	1	
	C129	17-14		11040532	Plug assembly	1	
	C200	17-14		4740154	Seal ring	4	
	C300	17-14		5000164 (9007315-0507)	Screw	4	
	G020	17-14		739144	Orifice plug, 0.8mm	1	
	G020	17-14		519659	Orifice plug, 1.0mm	1	
	H030	17-14		639146	Orifice plug, 1.2mm	1	
	QC100	17-14		11168932	Control Kit, FDC, 12 volt, left, LP, NC	1	
	QC115	17-14		11031751	Coil kit, 12 volt	1	
	QC120	17-14		085043 (9004201-3700)	O-ring	1	
	QC125	17-14		11027046	Nut	1	
	QC130	17-14		063172	O-ring	1	
	QC135	17-14		11031608	O-ring	1	
	SB	C107	17-14		327007 (9005110-4400)	Plug assembly	1
		C120	17-14		11013614	Solenoid valve, 24 volt	1
		C122	17-14		11168804	Spool	1
		C123	17-14		11168807	Spring guide	1
C124		17-14		11167423	Spring	1	
C125		17-14		11167424	Spring	1	
C128		17-14		11145569	Pressure adjuster assembly	1	
C128A		17-14		085043 (9004201-3700)	O-ring	1	
C128B		17-14		732479	O-ring	1	
C129		17-14		11040532	Plug assembly	1	
C200		17-14		4740154	Seal ring	4	
C300		17-14		5000164 (9007315-0507)	Screw	4	
G020		17-14		739144	Orifice plug, 0.8mm	1	
G020		17-14		519659	Orifice plug, 1.0mm	1	
H030		17-14		639146	Orifice plug, 1.2mm	1	
QC100		17-14		11168933	Control Kit, FDC, 24 volt, left, LP, NC	1	
QC115		17-14		11031762	Coil kit, 24 volt	1	
QC120		17-14		085043 (9004201-3700)	O-ring	1	
QC125		17-14		11027046	Nut	1	
QC130		17-14		063172	O-ring	1	
QC135		17-14		11031608	O-ring	1	



Control

(SC & SD)



E103 508E

* = included in base motor seal kit Q210

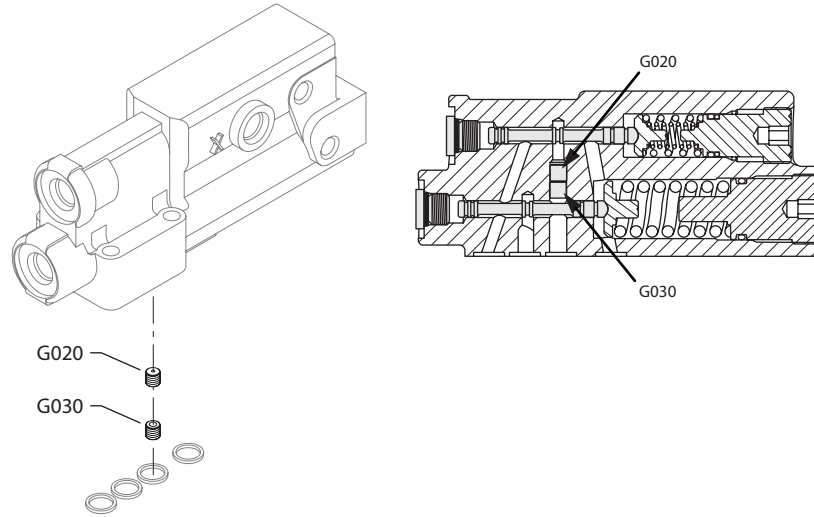

Control
Fan drive control

Order code	Item	Date begin	Date end	Part number	Part name	Qty. per model/kit
SC	C107	17-14		327007 (9005110-4400)	Plug assembly	1
	C120	17-14		11013613	Solenoid valve, 12 volt	1
	C122	17-14		11168804	Spool	1
	C123	17-14		11168807	Spring guide	1
	C124	17-14		11167423	Spring	1
	C125	17-14		11167425	Spring	1
	C128	17-14		11145569	Pressure adjuster assembly	1
	C128A	17-14		085043 (9004201-3700)	O-ring	1
	C128B	17-14		732479	O-ring	1
	C129	17-14		11040532	Plug assembly	1
	C200	17-14		4740154	Seal ring	4
	C300	17-14		5000164 (9007315-0507)	Screw	4
	G020	17-14		739144	Orifice plug, 0.8mm	1
	G020	17-14		519659	Orifice plug, 1.0mm	1
	H030	17-14		639146	Orifice plug, 1.2mm	1
	QC100	17-14		11168934	Control Kit, FDC, 12 volt, left, HP, NC	1
	QC115	17-14		11031751	Coil kit, 12 volt	1
	QC120	17-14		085043 (9004201-3700)	O-ring	1
	QC125	17-14		11027046	Nut	1
	QC130	17-14		063172	O-ring	1
QC135	17-14		11031608	O-ring	1	
SD	C107	17-14		327007 (9005110-4400)	Plug assembly	1
	C120	17-14		11013614	Solenoid valve, 24 volt	1
	C122	17-14		11168804	Spool	1
	C123	17-14		11168807	Spring guide	1
	C124	17-14		11167423	Spring	1
	C125	17-14		11167424	Spring	1
	C128	17-14		11145569	Pressure adjuster assembly	1
	C128A	17-14		085043 (9004201-3700)	O-ring	1
	C128B	17-14		732479	O-ring	1
	C129	17-14		11040532	Plug assembly	1
	C200	17-14		4740154	Seal ring	4
	C300	17-14		5000164 (9007315-0507)	Screw	4
	G020	17-14		739144	Orifice plug, 0.8mm	1
	G020	17-14		519659	Orifice plug, 1.0mm	1
	H030	17-14		639146	Orifice plug, 1.2mm	1
	QC100	17-14		11168935	Control Kit, FDC, 24 volt, left, HP, NC	1
	QC115	17-14		11031762	Coil kit, 24 volt	1
	QC120	17-14		085043 (9004201-3700)	O-ring	1
	QC125	17-14		11027046	Nut	1
	QC130	17-14		063172	O-ring	1
QC135	17-14		11031608	O-ring	1	

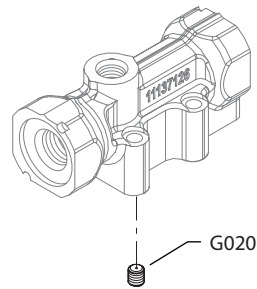


Orifice

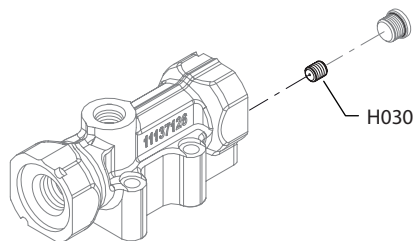
(E, F & G)



(R & S)



(E, F & G)





Orifice

Choke orifice

Order code	Item	Date begin	Date end	Part number	Part name	Qty. per model/kit
E	G020	17-14		739144	Orifice plug, 0.8mm	1
	G030	17-14		518215	Orifice plug, 2.2mm	1
F	G020	17-14		519659	Orifice plug, 1.0mm	1
	G030	17-14		518215	Orifice plug, 2.2mm	1
G	G020	17-14		511825	Orifice plug, 0.6mm	1
	G030	17-14		518215	Orifice plug, 2.2mm	1
N		17-14		none		
R	G020	17-14		739144	Orifice plug, 0.8mm	1
S	G020	17-14		519659	Orifice plug, 1.0mm	1

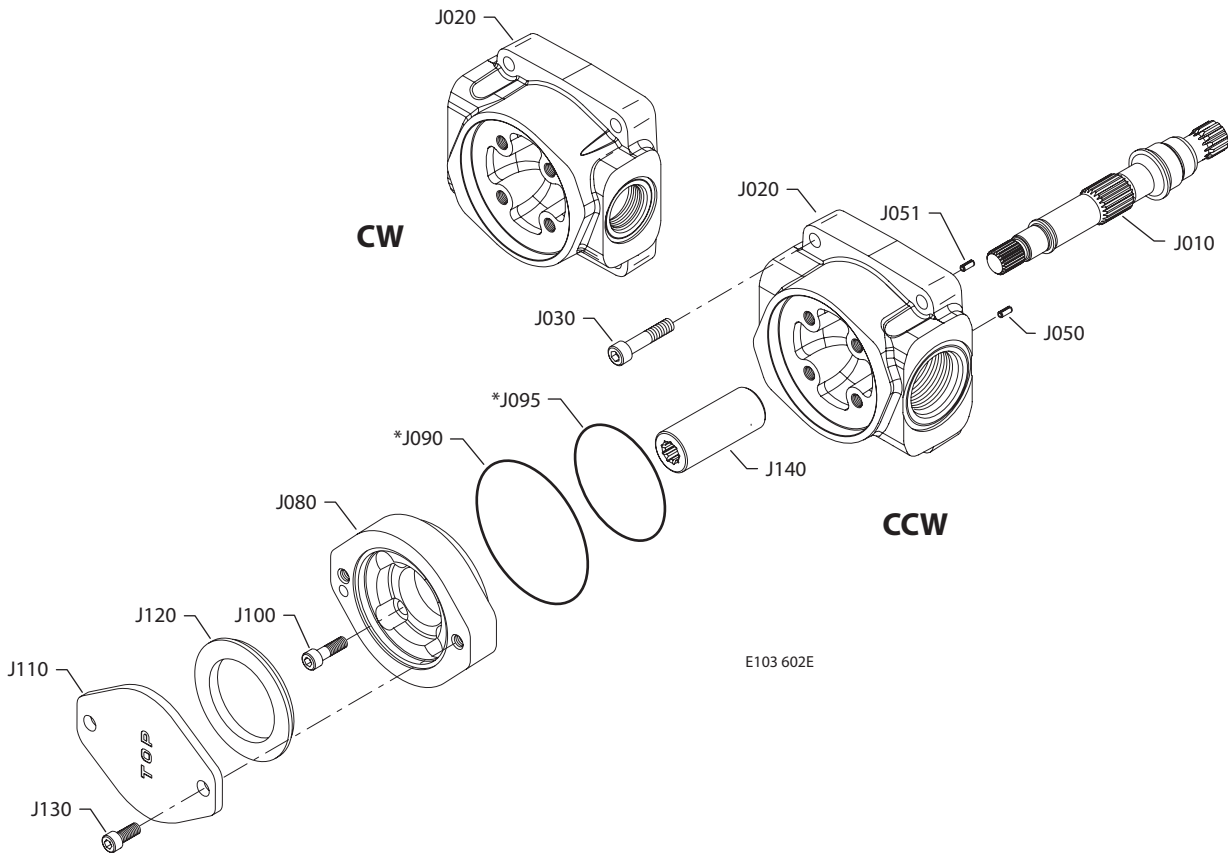
Gain orifice

3				none		
E	H030	17-14		639146	Orifice plug, 1.2mm	1
F	H030	17-14		639120	Orifice plug, 1.0mm	1
G	H030	17-14		598292	Orifice plug, 1.2mm	1

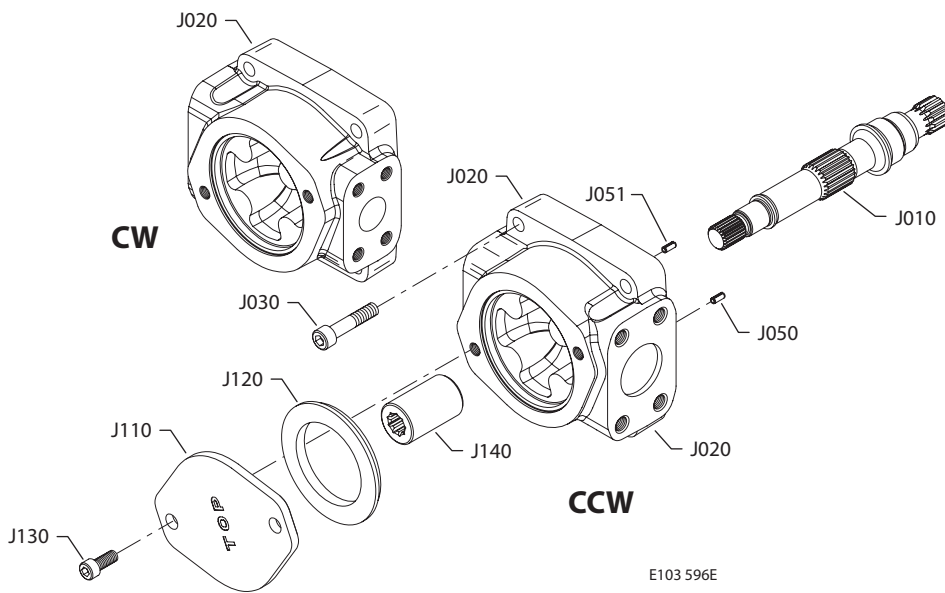


Shaft and Drive Flange/Endcap

(C2AB & C2AG)



(C2AK)



* = included in base motor seal kit Q210

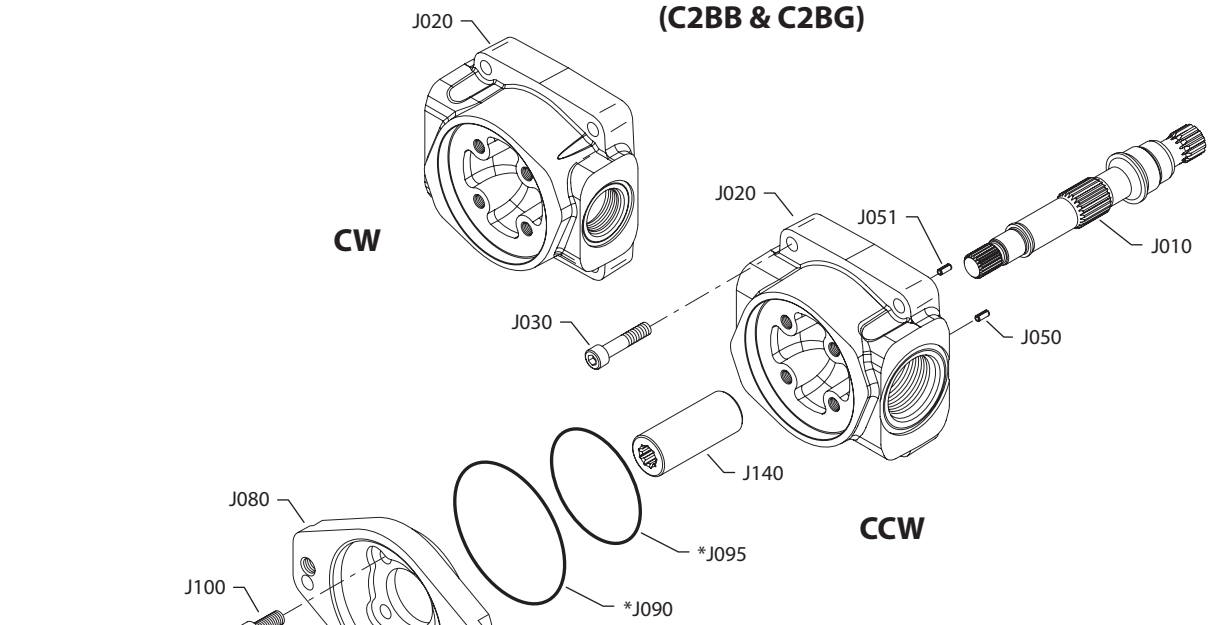

Shaft/auxiliary flange/end cap
Shaft/auxiliary flange/end cap

Order code	Item	Date begin	Date end	Part number	Part name	Qty. per model/kit
C2AB	J010	17-14		1700178	Shaft, 13 tooth spline, w/21 tooth auxiliary drive	1
	J020	17-14		11178104	End cap, CW, radial ports, K2	1
	J020	17-14		11175319	End cap, CCW, radial ports, K2	1
	J030	17-14		672295 (9007314-1010)	Screw, M10 x 45	4
	J050	17-14		9004700-1907	Slotted pin	1
	J051	17-14		9004700-1907	Slotted pin	1
	J080	17-14		4570430	Adapter, A flange	1
	J090	17-14		9004100-1550	O-ring	1
	J095	17-14		545434	O-ring	1
	J100	1700		5000489	Screw, M10 x 25	4
	J110	17-14		4460586	Cover plate	1
	J120	17-14		4800482	A pad seal	1
	J130	17-14		5000622	Screw, M10 x 20	2
	J140	17-14		1701364	Coupling, 9 tooth	1
C2AG	J010	17-14		1700178	Shaft, 13 tooth spline, w/21 tooth auxiliary drive	1
	J020	17-14		11164307	End cap, CW, radial ports, K2	1
	J020	17-14		11164305	End cap, CCW, radial ports, K2	1
	J030	17-14		672295 (9007314-1010)	Screw, M10 x 45	4
	J050	17-14		9004700-1907	Slotted pin	1
	J051	17-14		9004700-1907	Slotted pin	1
	J080	17-14		4570430	Adapter, A flange, metric	1
	J090	17-14		9004100-1550	O-ring	1
	J095	17-14		545434	O-ring	1
	J100	1700		5000489	Screw, M10 x 25	4
	J110	17-14		4460586	Cover plate	1
	J120	17-14		4800482	A pad seal	1
	J130	17-14		5000622	Screw, M10 x 20	2
	J140	17-14		1701364	Coupling, 9 tooth	1
C2AK	J010	17-14		11183984	Shaft, 13 tooth spline, w/9 tooth auxiliary drive	1
	J020	17-14		11175342	End cap, CW, radial ports, K2	1
	J020	17-14		11175320	End cap, CCW, radial ports, K2	1
	J030	17-14		672295 (9007314-1010)	Screw, M10 x 45	4
	J050	17-14		9004700-1907	Slotted pin	1
	J051	17-14		9004700-1907	Slotted pin	1
	J110	17-14		4460586	Cover plate	1
	J120	17-14		4800482	A pad seal	1
	J130	17-14		5000622	Screw, M10 x 20	2
	J140	17-14		11158651	Coupling, 9 tooth	1



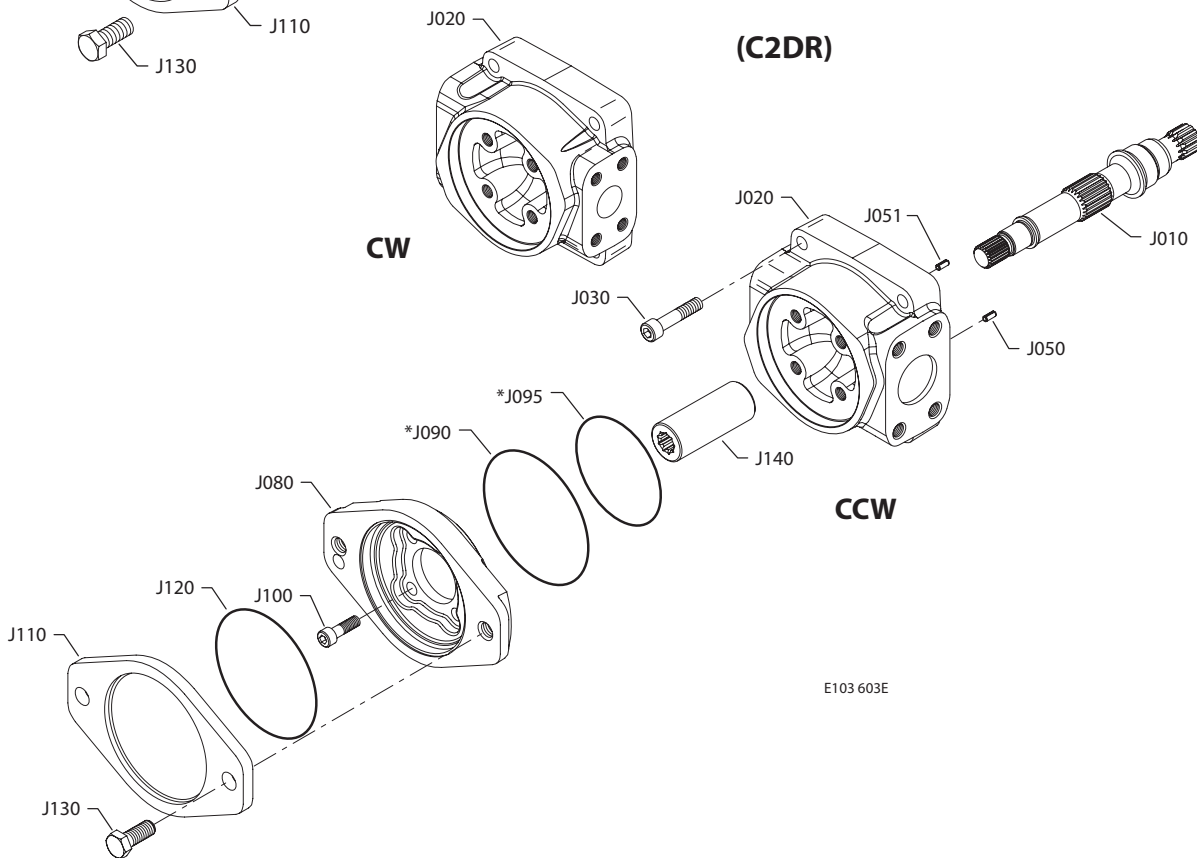
Shaft and Drive Flange/Endcap

(C2BB & C2BG)



E103 624E

(C2DR)



E103 603E

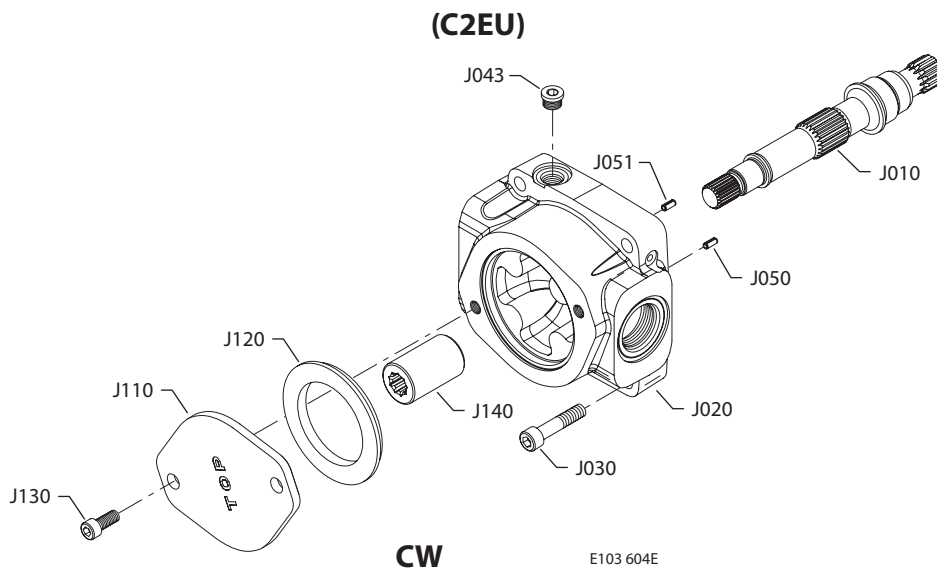
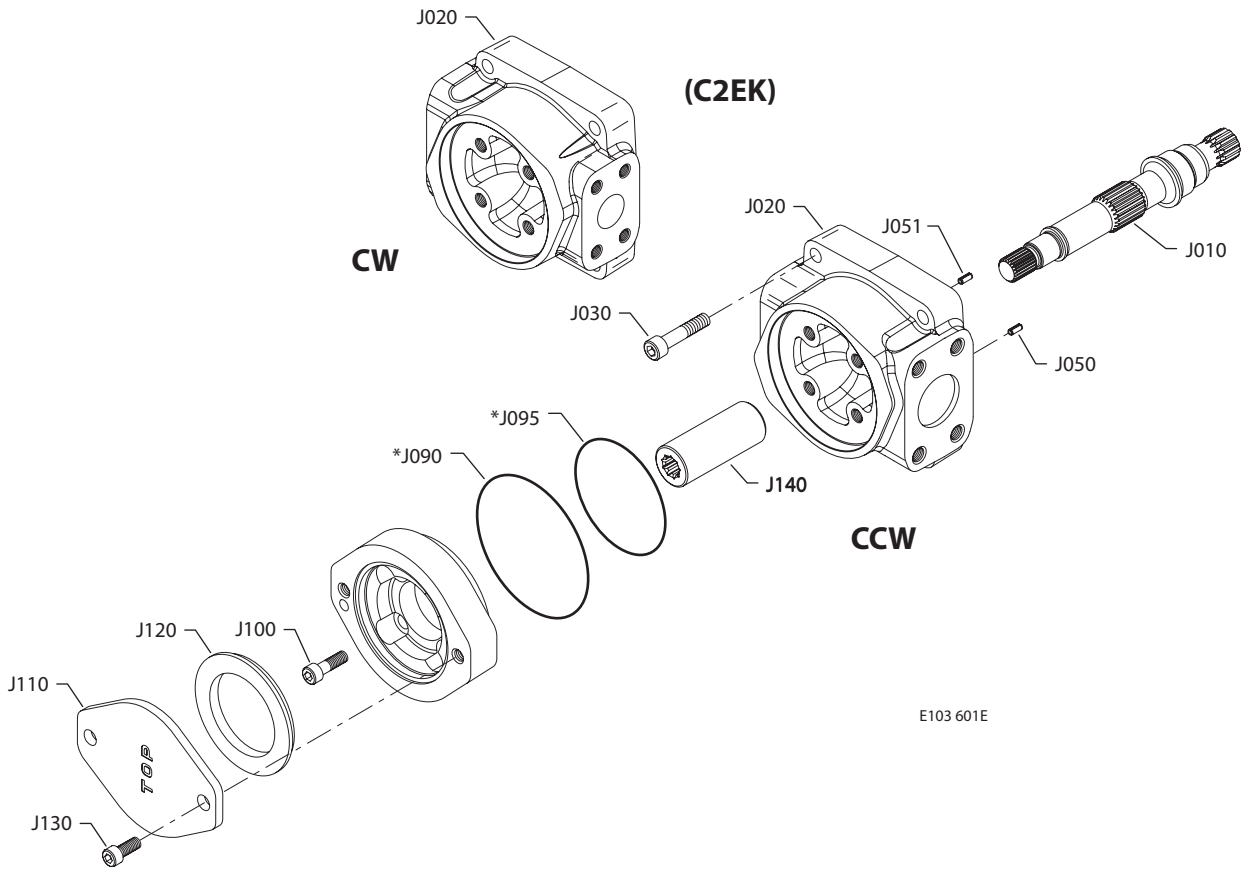
* = included in base motor seal kit Q210


Shaft/auxiliary flange/end cap
Shaft/auxiliary flange/end cap

Order code	Item	Date begin	Date end	Part number	Part name	Qty. per model/kit
C2BB	J010	17-14		1700178	Shaft, 13 tooth spline, w/21 tooth auxiliary drive	1
	J020	17-14		11178104	End cap, CW, radial ports, K2	1
	J020	17-14		11175319	End cap, CCW, radial ports, K2	1
	J030	17-14		672295 (9007314-1010)	Screw, M10 x 45	4
	J050	17-14		9004700-1907	Slotted pin	1
	J051	17-14		9004700-1907	Slotted pin	1
	J080	17-14		4570390	Adapter,B flange, metric	1
	J090	17-14		9004100-1550	O-ring	1
	J095	17-14		545434	O-ring	1
	J100	1700		5000489	Screw, M10 x 25	4
	J110	17-14		4460370	Cover plate, B flange	1
	J120	17-14		9004104-0440	O-ring	1
	J130	17-14		370320	Screw, M12 x 25	2
	J140	17-14		1701365	Coupling, 13 tooth	1
C2BG	J010	17-14		1700178	Shaft, 13 tooth spline, w/21 tooth auxiliary drive	1
	J020	17-14		11164307	End cap, CW, radial ports, K2	1
	J020	17-14		11164305	End cap, CCW, radial ports, K2	1
	J030	17-14		672295 (9007314-1010)	Screw, M10 x 45	4
	J050	17-14		9004700-1907	Slotted pin	1
	J051	17-14		9004700-1907	Slotted pin	1
	J080	17-14		4570390	Adapter,B flange, metric	1
	J090	17-14		9004100-1550	O-ring	1
	J095	17-14		545434	O-ring	1
	J100	1700		5000489	Screw, M10 x 25	4
	J110	17-14		4460370	Cover plate, B flange	1
	J120	17-14		9004104-0440	O-ring	1
	J130	17-14		370320	Screw, M12 x 25	2
	J140	17-14		1701365	Coupling, 13 tooth	1
C2DR	J010	17-14		1700178	Shaft, 13 tooth spline, w/21 tooth auxiliary drive	1
	J020	17-14		11171411	End cap, CW, radial ports, K2	1
	J020	17-14		11173919	End cap, CCW, radial ports, K2	1
	J030	17-14		672295 (9007314-1010)	Screw, M10 x 45	4
	J050	17-14		9004700-1907	Slotted pin	1
	J051	17-14		9004700-1907	Slotted pin	1
	J080	17-14		4570390	Adapter,B flange, metric	1
	J090	17-14		9004100-1550	O-ring	1
	J095	17-14		545434	O-ring	1
	J100	1700		5000489	Screw, M10 x 25	4
	J110	17-14		4460370	Cover plate, B flange	1
	J120	17-14		9004104-0440	O-ring	1
	J130	17-14		370320	Screw, M12 x 25	2
	J140	17-14		1701365	Coupling, 13 tooth	1



Shaft, auxiliary flange and end cap



* = included in base motor seal kit Q210

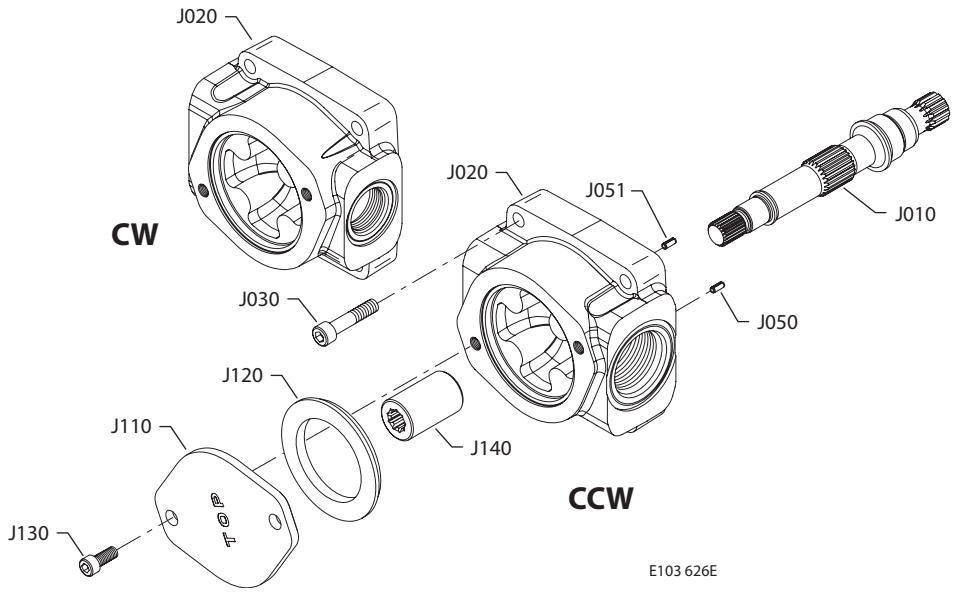

Shaft, auxiliary flange and end cap
Shaft/auxiliary flange/end cap

Order code	Item	Date begin	Date end	Part number	Part name	Qty. per model/kit
C2EK	J010	17-14		1700178	Shaft, 13 tooth spline, w/21 tooth auxiliary drive	1
	J020	17-14		11171411	End cap, CW, radial ports, K2	1
	J020	17-14		11173919	End cap, CCW, radial ports, K2	1
	J030	17-14		672295 (9007314-1010)	Screw, M10 x 45	4
	J050	17-14		9004700-1907	Slotted pin	1
	J051	17-14		9004700-1907	Slotted pin	1
	J080	17-14		4570430	Adapter,A flange, metric	1
	J090	17-14		9004100-1550	O-ring	1
	J095	17-14		545434	O-ring	1
	J100	1700		5000489	Screw, M10 x 25	4
	J110	17-14		4460586	Cover plate, A flange	1
	J120	17-14		4800482	A pad seal	1
	J130	17-14		5000622	Screw, M10 x 20	2
	J140	17-14		1701364	Coupling, 9 tooth	1
C2EU	J010	17-14		11183984	Shaft, 13 tooth spline, w/9 tooth auxiliary drive	1
	J020	17-14		11191000	End cap assembly, CW, radial ports, K2	1
	J030	17-14		672295 (9007314-1010)	Screw, M10 x 45	4
	J043	17-14		5000438	Plug assembly	
	J050	17-14		9004700-1907	Slotted pin	1
	J051	17-14		9004700-1907	Slotted pin	1
	J110	17-14		4460586	Cover plate	1
	J120	17-14		4800482	A pad seal	1
	J130	17-14		5000622	Screw, M10 x 20	2
	J140	17-14		11158651	Coupling, 9 tooth	1

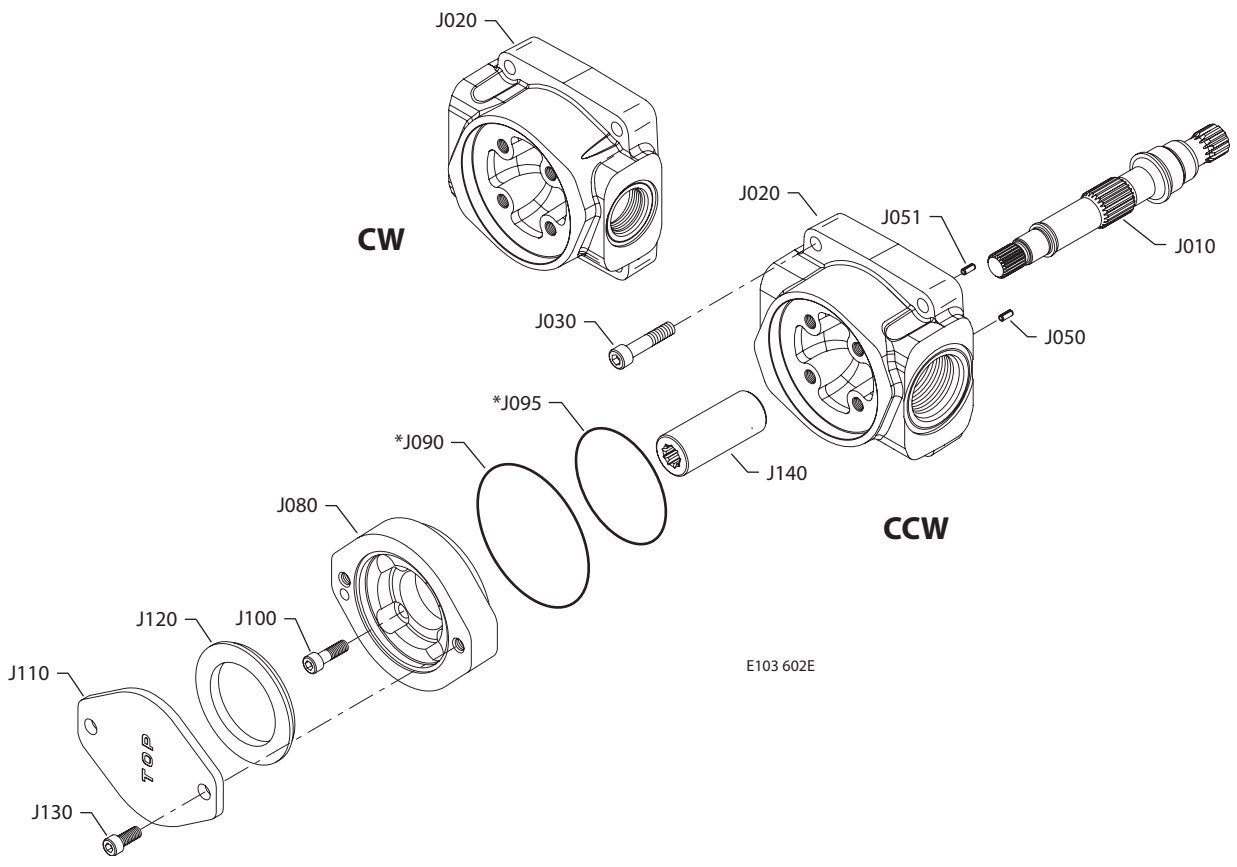


Shaft, auxiliary flange and end cap

(C2FB & C2FG)



(C2GG & C2GT)



* = included in base motor seal kit Q210

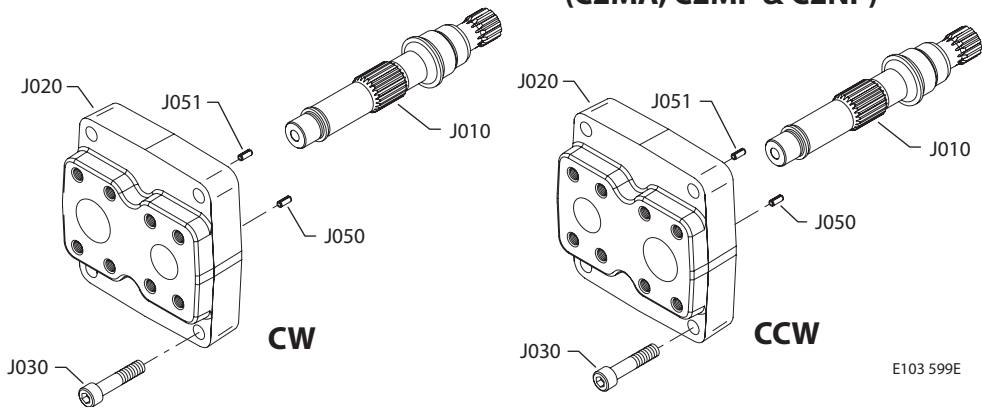

Shaft, auxiliary flange and end cap
Shaft/auxiliary flange/end cap

Order code	Item	Date begin	Date end	Part number	Part name	Qty. per model/kit	
C2FB	J010	17-14		11183984	Shaft, 13 tooth spline, w/9 tooth auxiliary drive	1	
	J020	17-14		11175321	End cap, CW, radial ports, K2	1	
	J020	17-14		11170900	End cap, CCW, radial ports, K2	1	
	J030	17-14		672295 (9007314-1010)	Screw, M10 x 45	4	
	J050	17-14		9004700-1907	Slotted pin	1	
	J051	17-14		9004700-1907	Slotted pin	1	
	J110	17-14		4460586	Cover plate	1	
	J120	17-14		4800482	A pad seal	1	
	J130	17-14		5000622	Screw, M10 x 20	2	
	J140	17-14		11158651	Coupling, 9 tooth	1	
	C2FG	J010	17-14		11183984	Shaft, 13 tooth spline, w/9 tooth auxiliary drive	1
		J020	17-14		11171121	End cap, CW, radial ports, K2	1
		J020	17-14		11175318	End cap, CCW, radial ports, K2	1
		J030	17-14		672295 (9007314-1010)	Screw, M10 x 45	4
J050		17-14		9004700-1907	Slotted pin	1	
J051		17-14		9004700-1907	Slotted pin	1	
J110		17-14		4460586	Cover plate	1	
J120		17-14		4800482	A pad seal	1	
J130		17-14		5000622	Screw, M10 x 20	2	
J140		17-14		11158651	Coupling, 9 tooth	1	
C2GG		J010	17-14		1700178	Shaft, 13 tooth spline, w/21 tooth auxiliary drive	1
		J020	17-14		11164307	End cap, CW, radial ports, K2	1
		J020	17-14		11164305	End cap, CCW, radial ports, K2	1
		J030	17-14		672295 (9007314-1010)	Screw, M10 x 45	4
	J050	17-14		9004700-1907	Slotted pin	1	
	J051	17-14		9004700-1907	Slotted pin	1	
	J080	17-14		4570430	Adapter, A flange	1	
	J090	17-14		9004100-1550	O-ring	1	
	J095	17-14		545434	O-ring	1	
	J100	1700		5000489	Screw, M10 x 25	4	
	J110	17-14		4460586	Cover plate	1	
	J120	17-14		4800482	A pad seal	1	
	J130	17-14		5000622	Screw, M10 x 20	2	
	J140	17-14		11017433	Coupling, 11 tooth	1	
	C2GT	J010	17-14		1700178	Shaft, 13 tooth spline, w/21 tooth auxiliary drive	1
		J020	17-14		11178104	End cap, CW, radial ports, K2	1
		J020	17-14		11175319	End cap, CCW, radial ports, K2	1
		J030	17-14		672295 (9007314-1010)	Screw, M10 x 45	4
J050		17-14		9004700-1907	Slotted pin	1	
J051		17-14		9004700-1907	Slotted pin	1	
J080		17-14		4570430	Adapter, A flange, metric	1	
J090		17-14		9004100-1550	O-ring	1	
J095		17-14		545434	O-ring	1	
J100		1700		5000489	Screw, M10 x 25	4	
J110		17-14		4460586	Cover plate	1	
J120		17-14		4800482	A pad seal	1	
J130		17-14		5000622	Screw, M10 x 20	2	
J140		17-14		11017433	Coupling, 11 tooth	1	

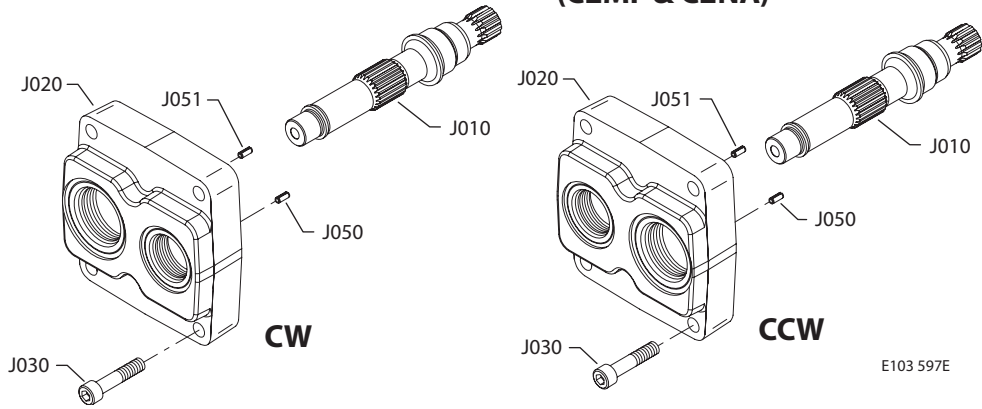


Shaft/auxiliary flange/end cap

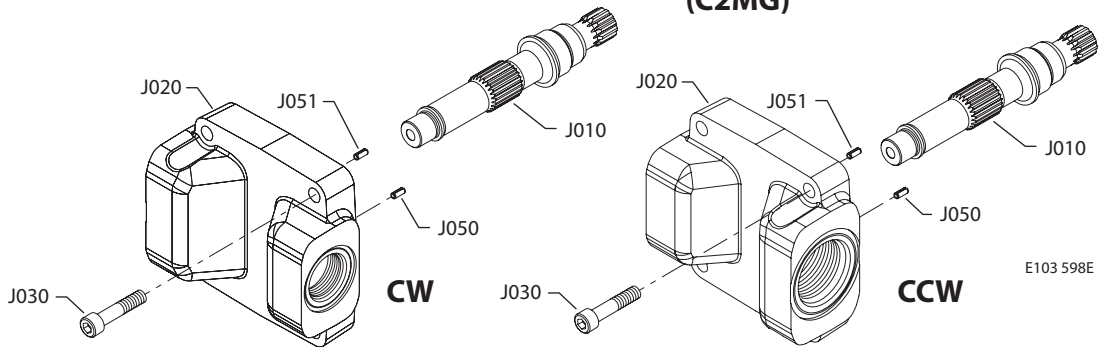
(C2MA, C2MP & C2NP)



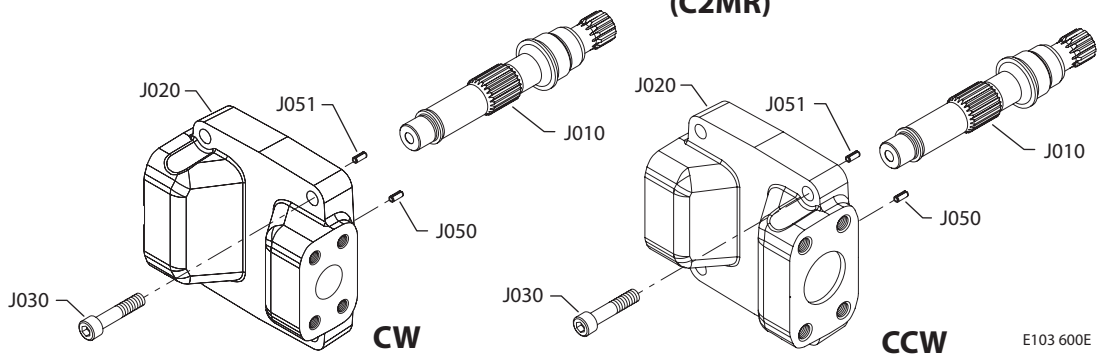
(C2MF & C2NA)



(C2MG)



(C2MR)





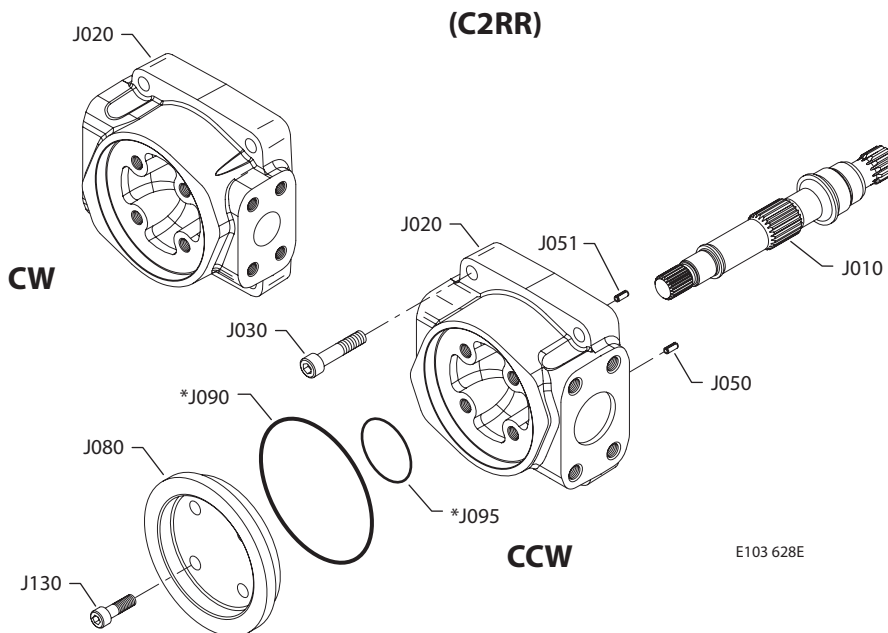
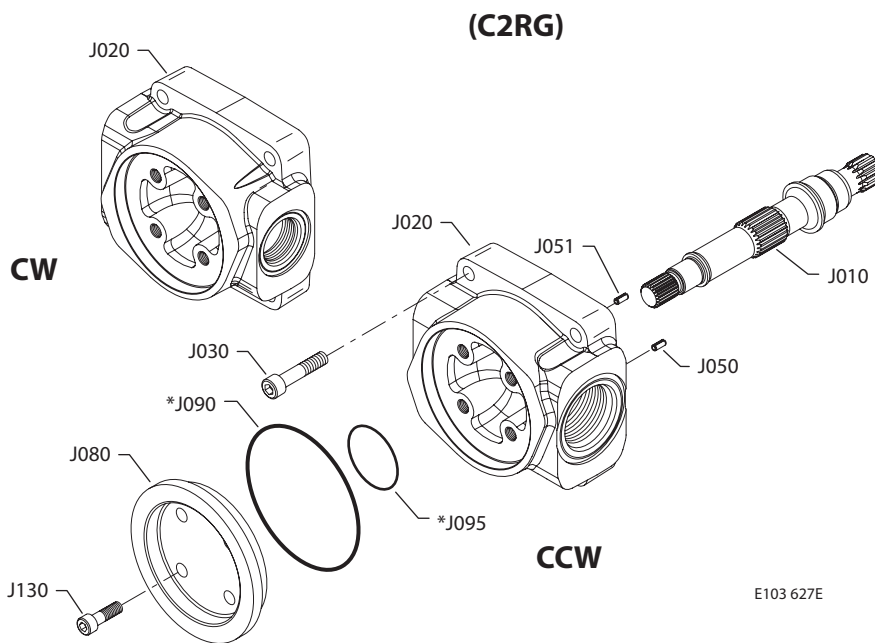
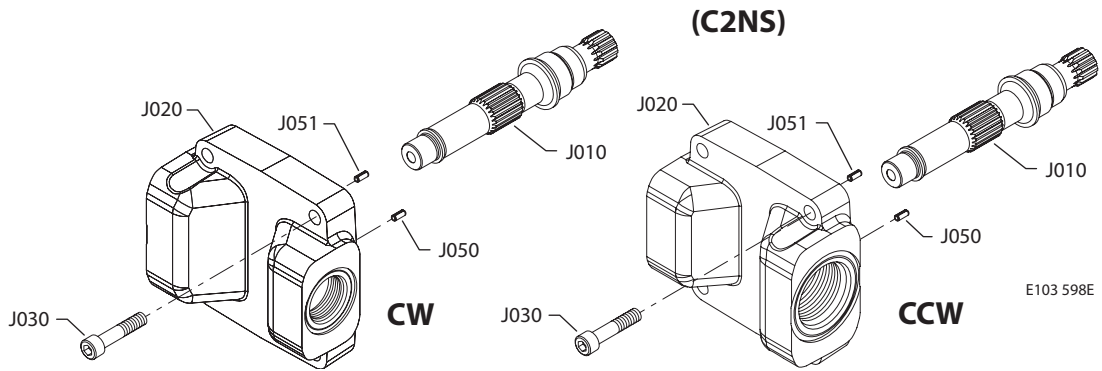
Shaft/auxiliary flange/end cap

Shaft/auxiliary flange/end cap

Order code	Item	Date begin	Date end	Part number	Part name	Qty. per model/kit
C2MA	J010	17-14		1700058	Shaft, 13 tooth spline, no auxiliary drive	1
	J020	17-14		11189987	End cap, CCW, axial ports, K2	1
	J030	17-14		672295 (9007314-1010)	Screw, M10 x 45	4
	J050	17-14		9004700-1907	Slotted pin	1
	J051	17-14		9004700-1907	Slotted pin	1
C2MF	J010	17-14		1700058	Shaft, 13 tooth spline, no auxiliary drive	1
	J020	17-14		11173936	End cap, CW, axial ports, K2	1
	J020	17-14		11164306	End cap, CCW, axial ports, K2	1
	J030	17-14		672295 (9007314-1010)	Screw, M10 x 45	4
	J050	17-14		9004700-1907	Slotted pin	1
	J051	17-14		9004700-1907	Slotted pin	1
C2MG	J010	17-14		1700058	Shaft, 13 tooth spline, no auxiliary drive	1
	J020	17-14		11173933	End cap, CW, radial ports, K2	1
	J020	17-14		11164311	End cap, CCW, radial ports, K2	1
	J030	17-14		672295 (9007314-1010)	Screw, M10 x 45	4
	J050	17-14		9004700-1907	Slotted pin	1
	J051	17-14		9004700-1907	Slotted pin	1
C2MP	J010	17-14		1700058	Shaft, 13 tooth spline, no auxiliary drive	1
	J020	17-14		11176730	End cap, CW, axial ports, K2	1
	J020	17-14		11173934	End cap, CCW, axial ports, K2	1
	J030	17-14		672295 (9007314-1010)	Screw, M10	4
	J050	17-14		9004700-1907	Slotted pin	1
	J051	17-14		9004700-1907	Slotted pin	1
C2MR	J010	17-14		1700058	Shaft, 13 tooth spline, no auxiliary drive	1
	J020	17-14		11176729	End cap, CW, radial ports, K2	1
	J020	17-14		11173932	End cap, CCW, radial ports, K2	1
	J030	17-14		672295 (9007314-1010)	Screw, M10	4
	J050	17-14		9004700-1907	Slotted pin	1
	J051	17-14		9004700-1907	Slotted pin	1
C2NA	J010	17-14		1700058	Shaft, 13 tooth spline, no auxiliary drive	1
	J020	17-14		11178112	End cap, CW, axial ports, K2	1
	J020	17-14		11178114	End cap, CCW, axial ports, K2	1
	J030	17-14		672295 (9007314-1010)	Screw, M10 x 45	4
	J050	17-14		9004700-1907	Slotted pin	1
	J051	17-14		9004700-1907	Slotted pin	1
C2NP	J010	17-14		1700058	Shaft, 13 tooth spline, no auxiliary drive	1
	J020	17-14		11175286	End cap, CW, axial ports, K2	1
	J020	17-14		11178113	End cap, CCW, axial ports, K2	1
	J030	17-14		672295 (9007314-1010)	Screw, M10	4
	J050	17-14		9004700-1907	Slotted pin	1
	J051	17-14		9004700-1907	Slotted pin	1



Shaft, auxiliary flange and end cap



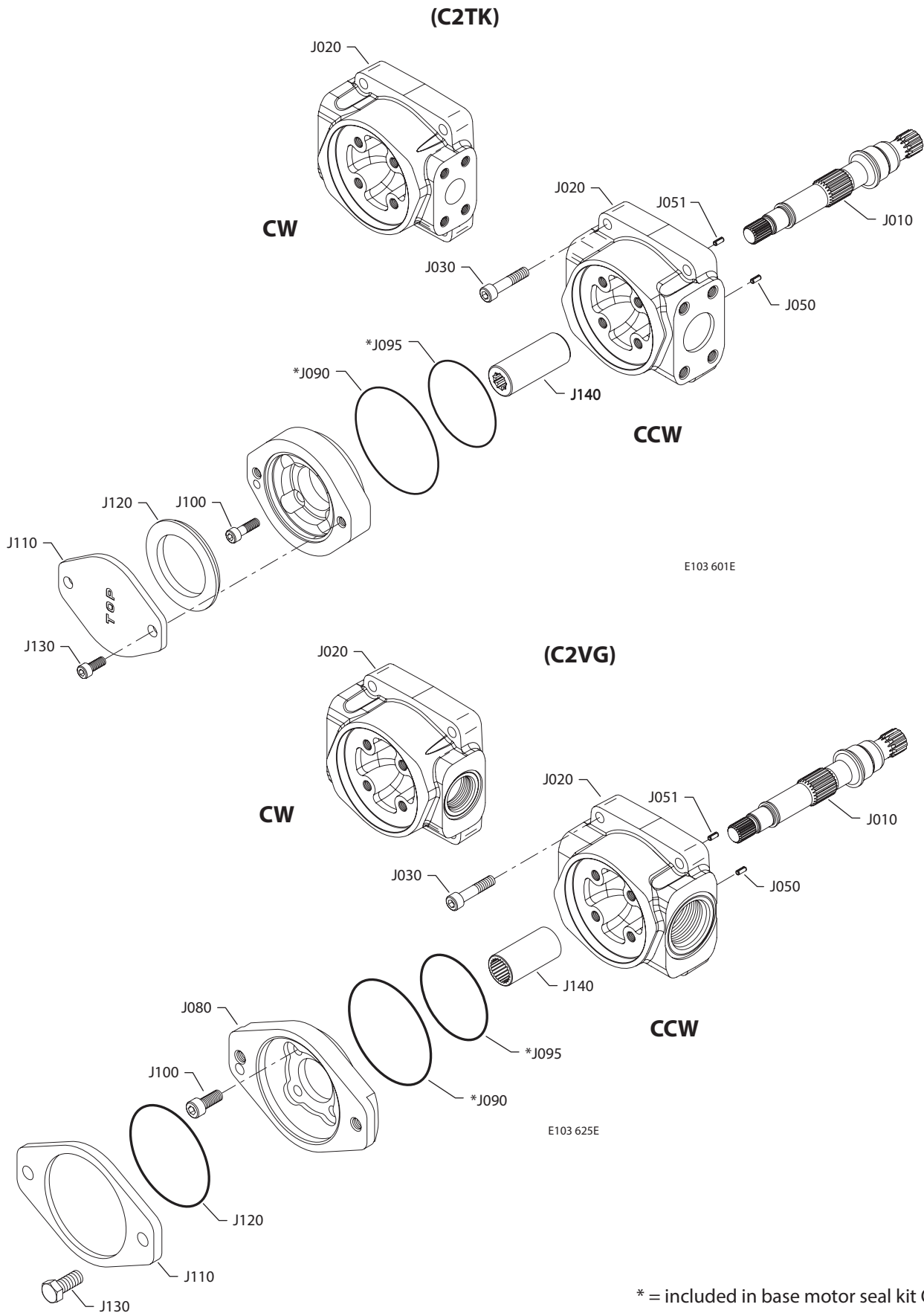
* = included in base motor seal kit Q210


Shaft, auxiliary flange and end cap
Shaft/auxiliary flange/end cap

Order code	Item	Date begin	Date end	Part number	Part name	Qty. per model/kit
C2NS	J010	17-14		1700058	Shaft, 13 tooth spline, no auxiliary drive	1
	J020	17-14		11178091	End cap, CW, radial ports, K2	1
	J020	17-14		11178110	End cap, CCW, radial ports, K2	1
	J030	17-14		672295 (9007314-1010)	Screw, M10 x 45	4
	J050	17-14		9004700-1907	Slotted pin	1
	J051	17-14		9004700-1907	Slotted pin	1
	C2RG	J010	17-14		1700178	Shaft, 13 tooth spline, w/21 tooth auxiliary drive
J020		17-14		11164307	End cap, CW, radial ports, K2	1
J020		17-14		11164305	End cap, CCW, radial ports, K2	1
J030		17-14		672295 (9007314-1010)	Screw, M10 x 45	4
J050		17-14		9004700-1907	Slotted pin	1
J051		17-14		9004700-1907	Slotted pin	1
J080		17-14		4570179	Running cover	1
J090		17-14		9004100-1550	O-ring	1
J095		17-14		9004104-0310	O-ring	1
J100		1700		5000489	Screw, M10 x 25	4
C2RR		J010	17-14		1700178	Shaft, 13 tooth spline, w/21 tooth auxiliary drive
	J020	17-14		11171411	End cap, CW, radial ports, K2	1
	J020	17-14		11173919	End cap, CCW, radial ports, K2	1
	J030	17-14		672295 (9007314-1010)	Screw, M10 x 45	4
	J050	17-14		9004700-1907	Slotted pin	1
	J051	17-14		9004700-1907	Slotted pin	1
	J080	17-14		4570179	Running cover	1
	J090	17-14		9004100-1550	O-ring	1
	J095	17-14		9004104-0310	O-ring	1
	J100	1700		5000489	Screw, M10 x 25	4



Shaft, auxiliary flange and end cap



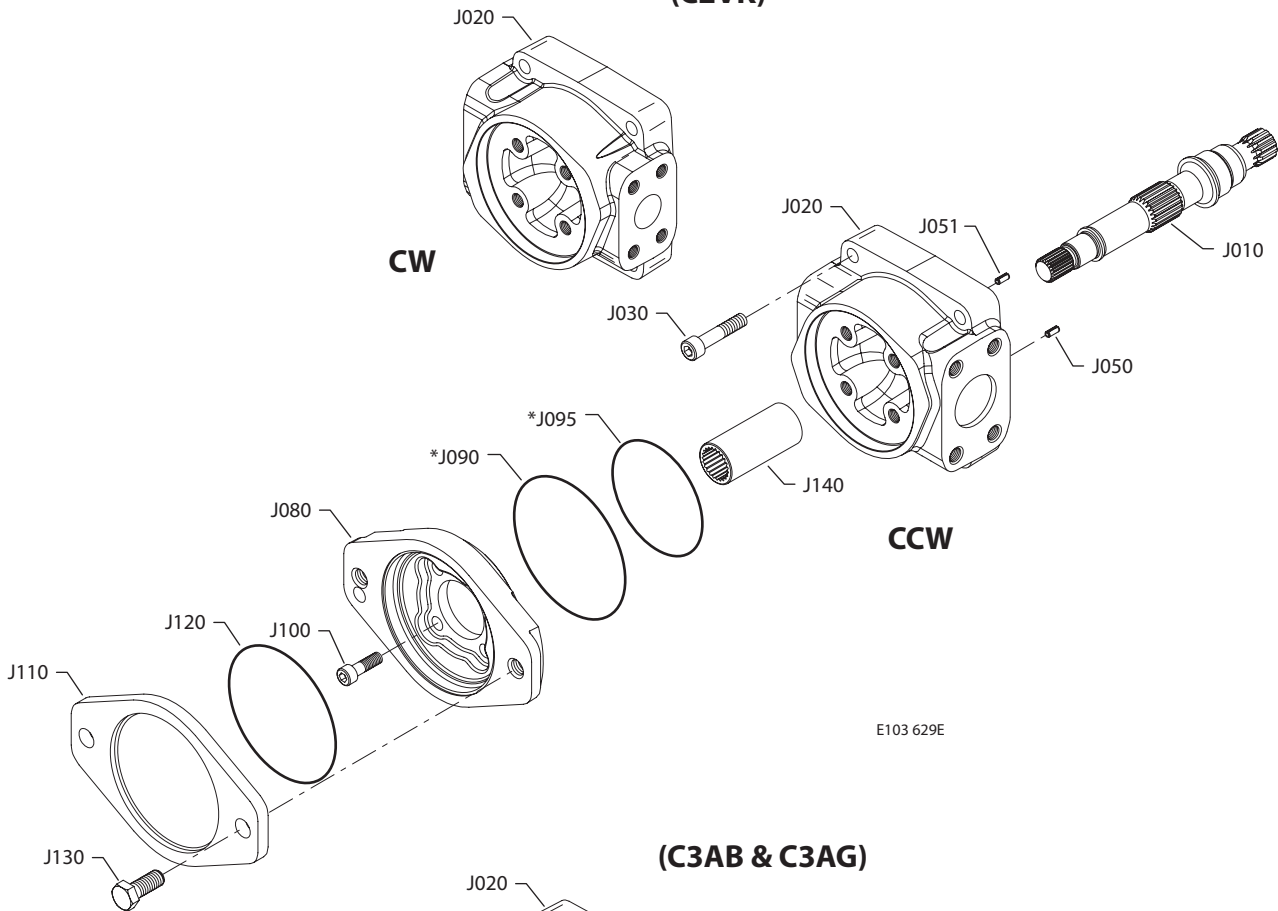

Shaft, auxiliary flange and end cap
Shaft/auxiliary flange/end cap

Order code	Item	Date begin	Date end	Part number	Part name	Qty. per model/kit
C2TK	J010	17-14		1700178	Shaft, 13 tooth spline, w/21 tooth auxiliary drive	1
	J020	17-14		11171411	End cap, CW, radial ports, K2	1
	J020	17-14		11173919	End cap, CCW, radial ports, K2	1
	J030	17-14		672295 (9007314-1010)	Screw, M10 x 45	4
	J050	17-14		9004700-1907	Slotted pin	1
	J051	17-14		9004700-1907	Slotted pin	1
	J080	17-14		4570430	Flange apadter, A pad	1
	J090	17-14		9004100-1550	O-ring	1
	J095	17-14		545434	O-ring	1
	J100	17-14		5000489	Screw, M10 x 25	4
	J110	17-14		4460586	Cover plate	1
	J120	17-14		4800482	A pad seal	1
	J130	17-14		5000622	Screw, M10 x 20	2
	J140	17-14		11017433	Coupling, 11 tooth	1
C2VG	J010	17-14		1700178	Shaft, 13 tooth spline, w/21 tooth auxiliary drive	1
	J020	17-14		11164307	End cap, CW, radial ports, K2	1
	J020	17-14		11164305	End cap, CCW, radial ports, K2	1
	J030	17-14		672295 (9007314-1010)	Screw, M10 x 45	4
	J050	17-14		9004700-1907	Slotted pin	1
	J051	17-14		9004700-1907	Slotted pin	1
	J080	17-14		4570390	Adapter,B flange, metric	1
	J090	17-14		9004100-1550	O-ring	1
	J095	17-14		545434	O-ring	1
	J100	1700		5000489	Screw, M10 x 25	4
	J110	17-14		4460370	Cover plate, B flange	1
	J120	17-14		9004104-0440	O-ring	1
	J130	17-14		370320	Screw, M12 x 25	2
	J140	17-14		11021707	Coupling, 15 tooth	1



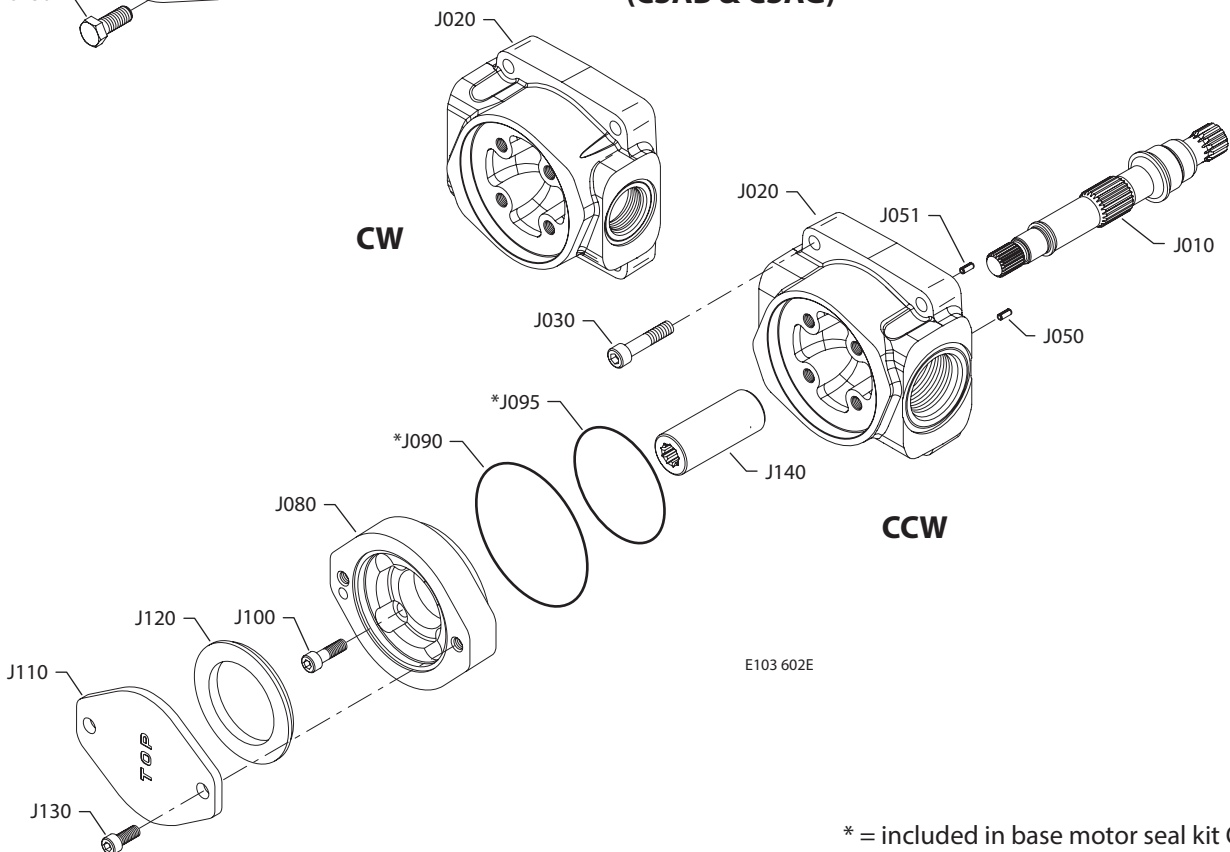
Shaft, auxiliary flange and end cap

(C2VK)



E103 629E

(C3AB & C3AG)



E103 602E

* = included in base motor seal kit Q210

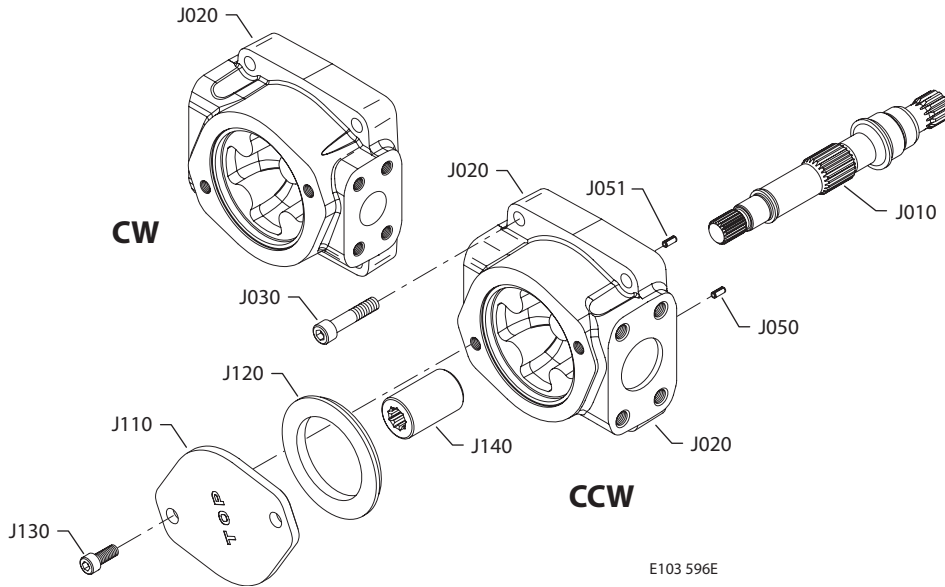
Shaft, auxiliary flange and end cap
Shaft/auxiliary flange/end cap

Order code	Item	Date begin	Date end	Part number	Part name	Qty. per model/kit
C2VK	J010	17-14		1700178	Shaft, 13 tooth spline, w/21 tooth auxiliary drive	1
	J020	17-14		11171411	End cap, CW, radial ports, K2	1
	J020	17-14		11173919	End cap, CCW, radial ports, K2	1
	J030	17-14		672295 (9007314-1010)	Screw, M10 x 45	4
	J050	17-14		9004700-1907	Slotted pin	1
	J051	17-14		9004700-1907	Slotted pin	1
	J080	17-14		4570390	Adapter,B flange, metric	1
	J090	17-14		9004100-1550	O-ring	1
	J095	17-14		545434	O-ring	1
	J100	1700		5000489	Screw, M10 x 25	4
	J110	17-14		4460370	Cover plate, B flange	1
	J120	17-14		9004104-0440	O-ring	1
	J130	17-14		370320	Screw, M12 x 25	2
	J140	17-14		11021707	Coupling, 15 tooth	1
C3AB	J010	17-14		1700261	Shaft, 15 tooth spline, w/21 tooth auxiliary drive	1
	J020	17-14		11178104	End cap, CW, radial ports, K2	1
	J020	17-14		11175319	End cap, CCW, radial ports, K2	1
	J030	17-14		672295 (9007314-1010)	Screw, M10 x 45	4
	J050	17-14		9004700-1907	Slotted pin	1
	J051	17-14		9004700-1907	Slotted pin	1
	J080	17-14		4570430	Adapter, A flange	1
	J090	17-14		9004100-1550	O-ring	1
	J095	17-14		545434	O-ring	1
	J100	1700		5000489	Screw, M10 x 25	4
	J110	17-14		4460586	Cover plate	1
	J120	17-14		4800482	A pad seal	1
	J130	17-14		5000622	Screw, M10 x 20	2
	J140	17-14		1701364	Coupling, 9 tooth	1
C3AG	J010	17-14		1700261	Shaft, 15 tooth spline, w/21 tooth auxiliary drive	1
	J020	17-14		11164307	End cap, CW, radial ports, K2	1
	J020	17-14		11164305	End cap, CCW, radial ports, K2	1
	J030	17-14		672295 (9007314-1010)	Screw, M10 x 45	4
	J050	17-14		9004700-1907	Slotted pin	1
	J051	17-14		9004700-1907	Slotted pin	1
	J080	17-14		4570430	Adapter, A flange, metric	1
	J090	17-14		9004100-1550	O-ring	1
	J095	17-14		545434	O-ring	1
	J100	1700		5000489	Screw, M10 x 25	4
	J110	17-14		4460586	Cover plate	1
	J120	17-14		4800482	A pad seal	1
	J130	17-14		5000622	Screw, M10 x 20	2
	J140	17-14		1701364	Coupling, 9 tooth	1

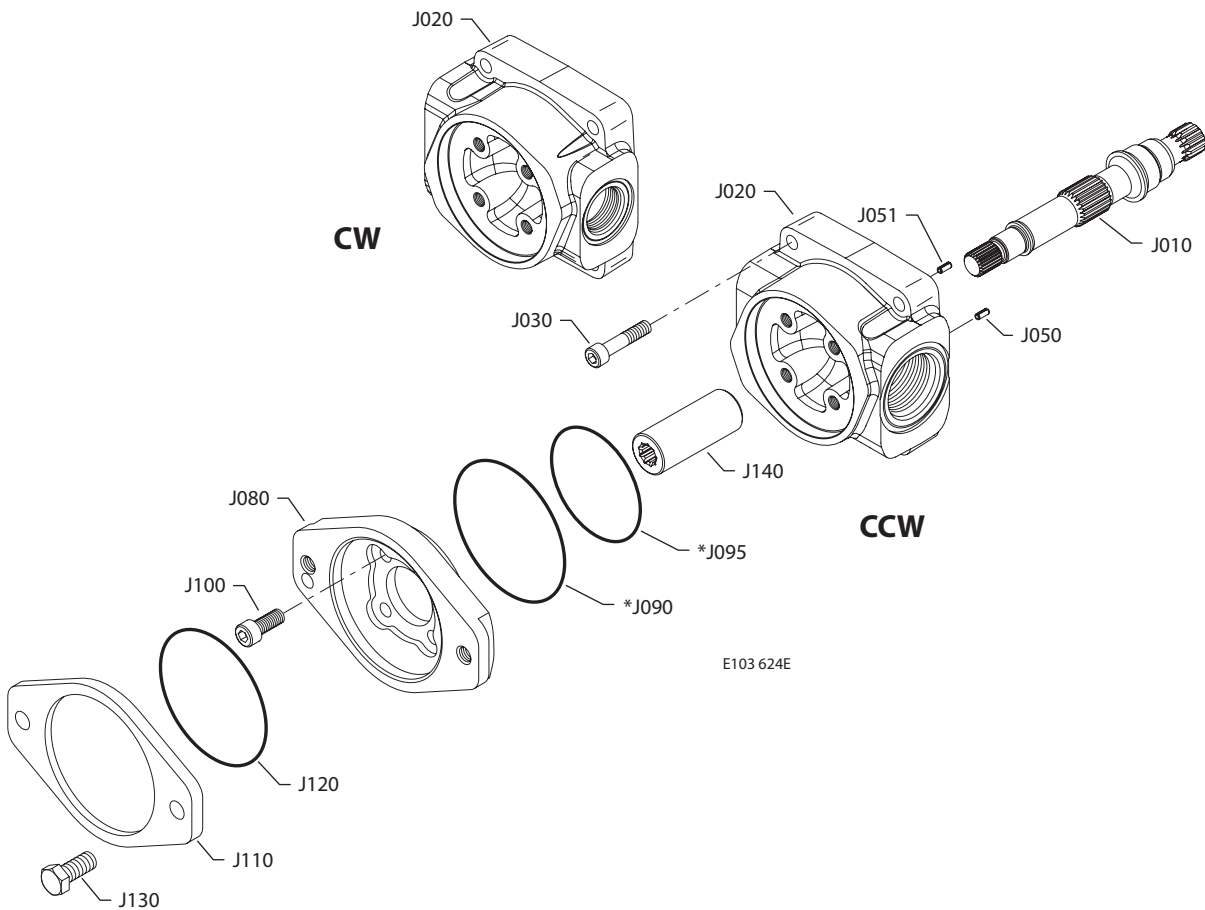


Shaft, auxiliary flange and end cap

(C3AK)



(C2BB & C2BG)



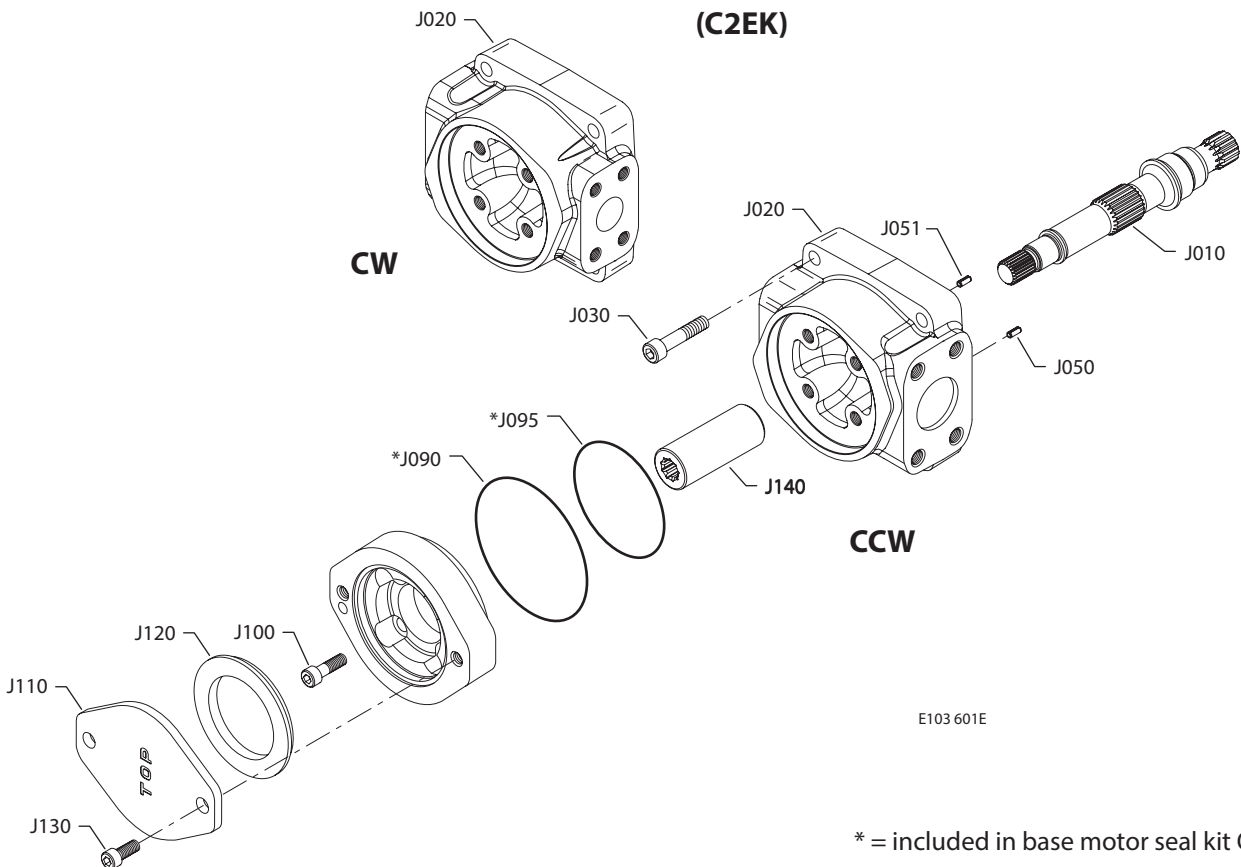
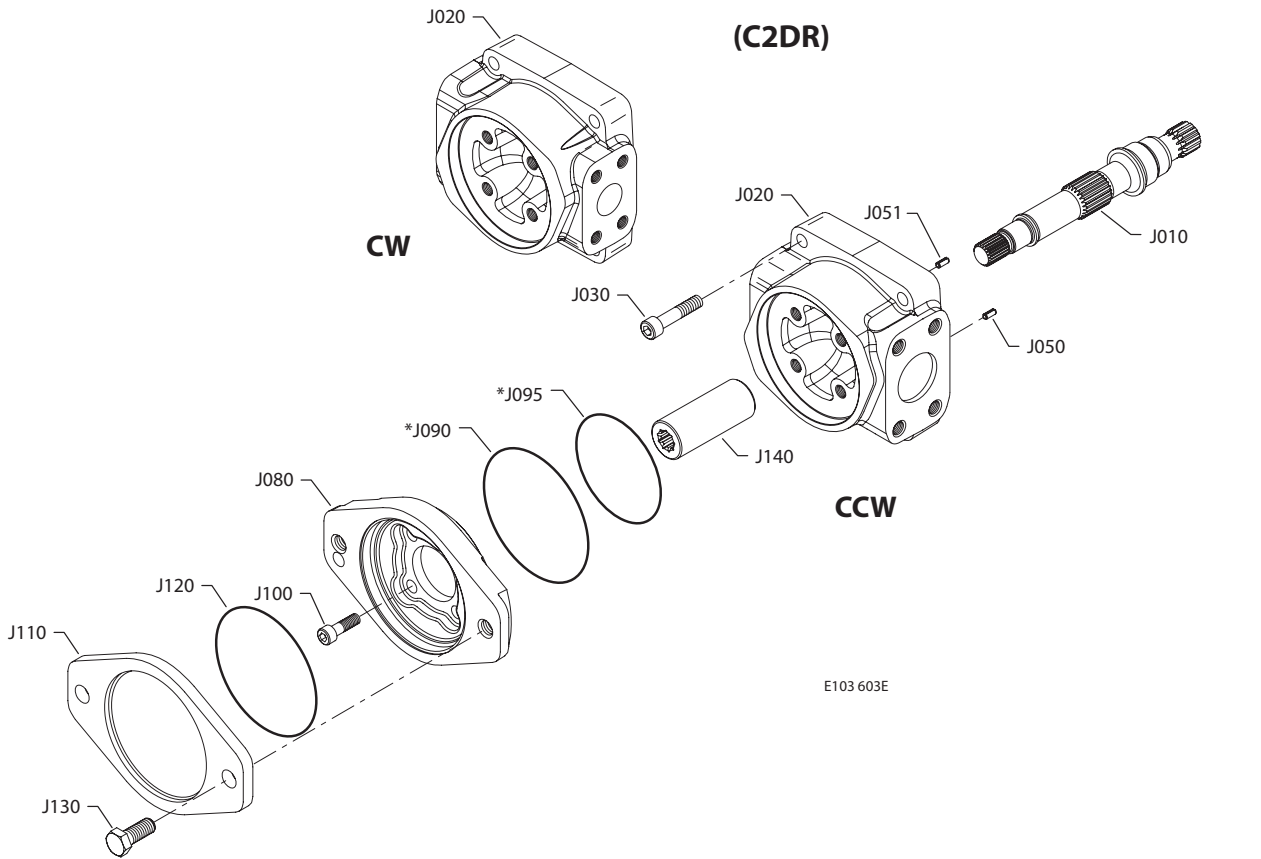
* = included in base motor seal kit Q210

Shaft, auxiliary flange and end cap
Shaft/auxiliary flange/end cap

Order code	Item	Date begin	Date end	Part number	Part name	Qty. per model/kit	
C3AK	J010	17-14		11160317	Shaft, 15 tooth spline, w/9 tooth auxiliary drive	1	
	J020	17-14		11175342	End cap, CW, radial ports, K2	1	
	J020	17-14		11175320	End cap, CCW, radial ports, K2	1	
	J030	17-14		672295 (9007314-1010)	Screw, M10 x 45	4	
	J050	17-14		9004700-1907	Slotted pin	1	
	J051	17-14		9004700-1907	Slotted pin	1	
	J110	17-14		4460586	Cover plate	1	
	J120	17-14		4800482	A pad seal	1	
	J130	17-14		5000622	Screw, M10 x 20	2	
	J140	17-14		11158651	Coupling, 9 tooth	1	
	C3BB	J010	17-14		1700261	Shaft, 15 tooth spline, w/21 tooth auxiliary drive	1
		J020	17-14		11178104	End cap, CW, radial ports, K2	1
		J020	17-14		11175319	End cap, CCW, radial ports, K2	1
		J030	17-14		672295 (9007314-1010)	Screw, M10 x 45	4
J050		17-14		9004700-1907	Slotted pin	1	
J051		17-14		9004700-1907	Slotted pin	1	
J080		17-14		4570390	Adapter,B flange, metric	1	
J090		17-14		9004100-1550	O-ring	1	
J095		17-14		545434	O-ring	1	
J100		1700		5000489	Screw, M10 x 25	4	
J110		17-14		4460370	Cover plate, B flange	1	
J120		17-14		9004104-0440	O-ring	1	
J130		17-14		370320	Screw, M12 x 25	2	
J140		17-14		1701365	Coupling, 13 tooth	1	
C2BG	J010	17-14		1700261	Shaft, 15 tooth spline, w/21 tooth auxiliary drive	1	
	J020	17-14		11164307	End cap, CW, radial ports, K2	1	
	J020	17-14		11164305	End cap, CCW, radial ports, K2	1	
	J030	17-14		672295 (9007314-1010)	Screw, M10 x 45	4	
	J050	17-14		9004700-1907	Slotted pin	1	
	J051	17-14		9004700-1907	Slotted pin	1	
	J080	17-14		4570390	Adapter,B flange, metric	1	
	J090	17-14		9004100-1550	O-ring	1	
	J095	17-14		545434	O-ring	1	
	J100	1700		5000489	Screw, M10 x 25	4	
	J110	17-14		4460370	Cover plate, B flange	1	
	J120	17-14		9004104-0440	O-ring	1	
	J130	17-14		370320	Screw, M12 x 25	2	
	J140	17-14		1701365	Coupling, 13 tooth	1	



Shaft, auxiliary flange and end cap

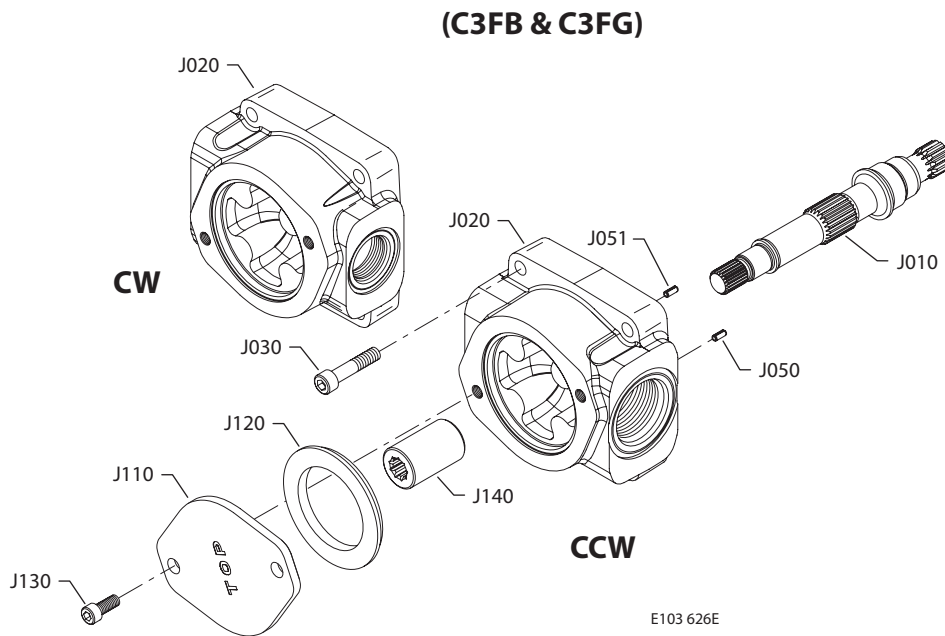
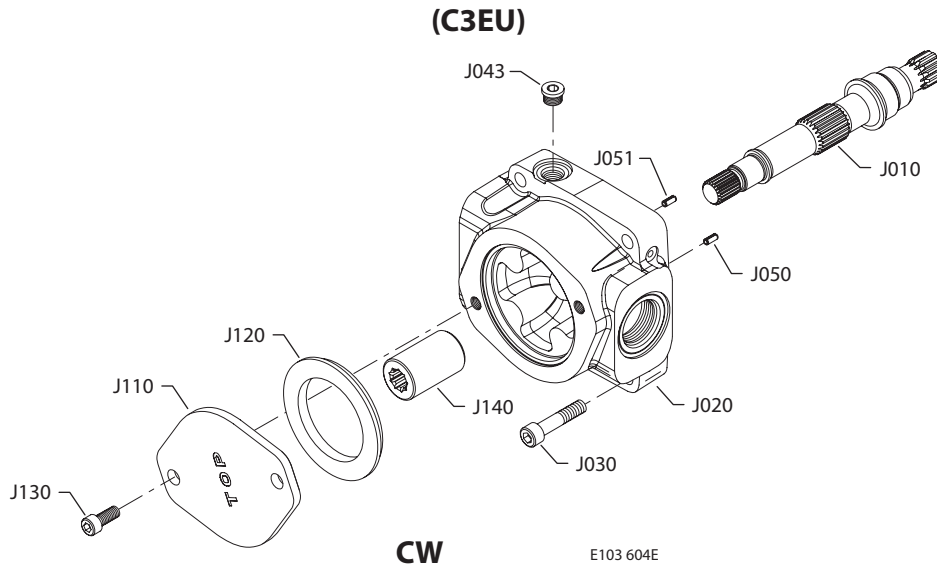



Shaft, auxiliary flange and end cap
Shaft/auxiliary flange/end cap

Order code	Item	Date begin	Date end	Part number	Part name	Qty. per model/kit
C3DR	J010	17-14		1700261	Shaft, 15 tooth spline, w/21 tooth auxiliary drive	1
	J020	17-14		11171411	End cap, CW, radial ports, K2	1
	J020	17-14		11173919	End cap, CCW, radial ports, K2	1
	J030	17-14		672295 (9007314-1010)	Screw, M10 x 45	4
	J050	17-14		9004700-1907	Slotted pin	1
	J051	17-14		9004700-1907	Slotted pin	1
	J080	17-14		4570390	Adapter,B flange, metric	1
	J090	17-14		9004100-1550	O-ring	1
	J095	17-14		545434	O-ring	1
	J100	1700		5000489	Screw, M10 x 25	4
	J110	17-14		4460370	Cover plate, B flange	1
	J120	17-14		9004104-0440	O-ring	1
	J130	17-14		370320	Screw, M12 x 25	2
	J140	17-14		1701365	Coupling, 13 tooth	1
C2EK	J010	17-14		1700261	Shaft, 15 tooth spline, w/21 tooth auxiliary drive	1
	J020	17-14		11171411	End cap, CW, radial ports, K2	1
	J020	17-14		11173919	End cap, CCW, radial ports, K2	1
	J030	17-14		672295 (9007314-1010)	Screw, M10 x 45	4
	J050	17-14		9004700-1907	Slotted pin	1
	J051	17-14		9004700-1907	Slotted pin	1
	J080	17-14		4570430	Adapter,A flange, metric	1
	J090	17-14		9004100-1550	O-ring	1
	J095	17-14		545434	O-ring	1
	J100	1700		5000489	Screw, M10 x 25	4
	J110	17-14		4460586	Cover plate, A flange	1
	J120	17-14		4800482	A pad seal	1
	J130	17-14		5000622	Screw, M10 x 20	2
	J140	17-14		1701364	Coupling, 9 tooth	1



Shaft/auxiliary flange/end cap



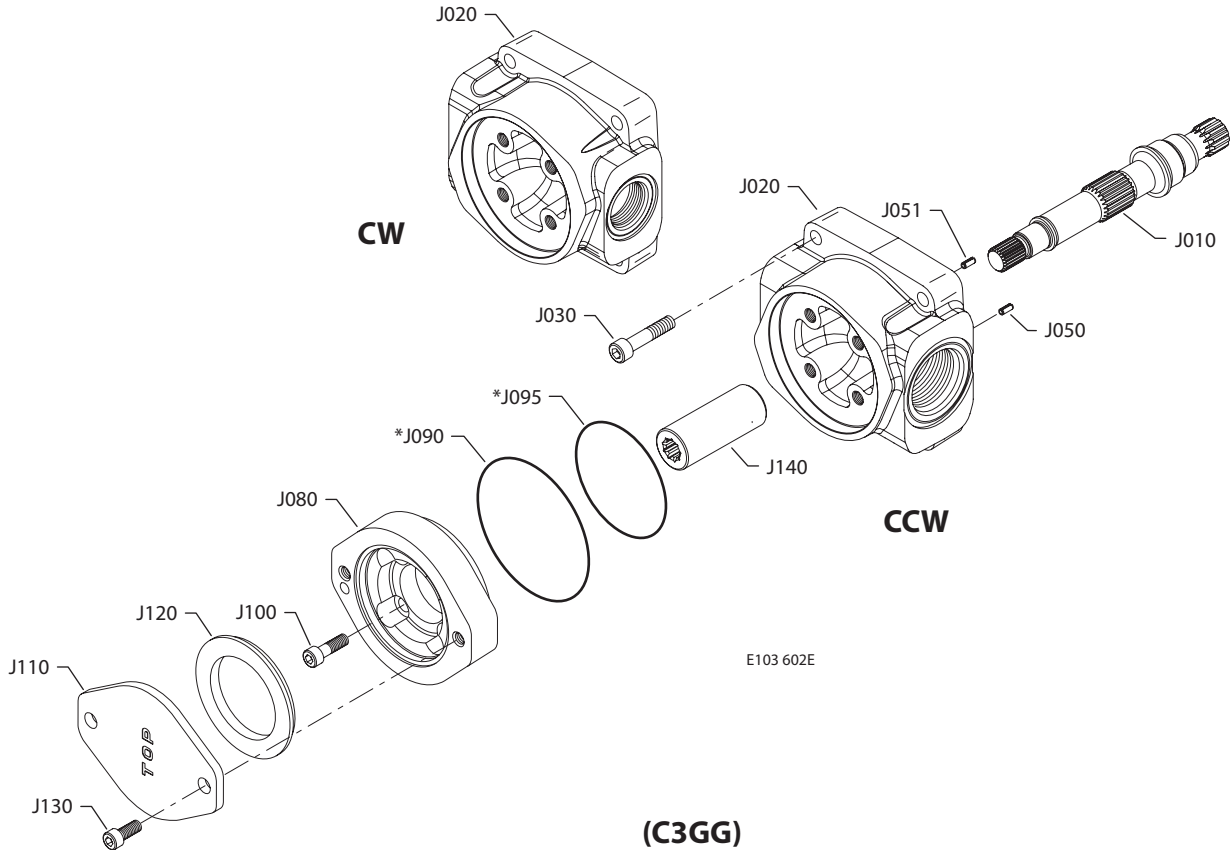

Shaft/auxiliary flange/end cap
Shaft/auxiliary flange/end cap

Order code	Item	Date begin	Date end	Part number	Part name	Qty. per model/kit
C3EU	J010	17-14		11160317	Shaft, 15 tooth spline, w/9 tooth auxiliary drive	1
	J020	17-14		11191000	End cap assembly, CW, radial ports, K2	1
	J030	17-14		672295 (9007314-1010)	Screw, M10 x 45	4
	J043	17-14		5000438	Plug assembly	
	J050	17-14		9004700-1907	Slotted pin	1
	J051	17-14		9004700-1907	Slotted pin	1
	J110	17-14		4460586	Cover plate	1
	J120	17-14		4800482	A pad seal	1
	J130	17-14		5000622	Screw, M10 x 20	2
	J140	17-14		11158651	Coupling, 9 tooth	1
C3FB	J010	17-14		11160317	Shaft, 15 tooth spline, w/9 tooth auxiliary drive	1
	J020	17-14		11175321	End cap, CW, radial ports, K2	1
	J020	17-14		11170900	End cap, CCW, radial ports, K2	1
	J030	17-14		672295 (9007314-1010)	Screw, M10 x 45	4
	J050	17-14		9004700-1907	Slotted pin	1
	J051	17-14		9004700-1907	Slotted pin	1
	J110	17-14		4460586	Cover plate	1
	J120	17-14		4800482	A pad seal	1
	J130	17-14		5000622	Screw, M10 x 20	2
	J140	17-14		11158651	Coupling, 9 tooth	1
C3FG	J010	17-14		11160317	Shaft, 15 tooth spline, w/9 tooth auxiliary drive	1
	J020	17-14		11171121	End cap, CW, radial ports, K2	1
	J020	17-14		11175318	End cap, CCW, radial ports, K2	1
	J030	17-14		672295 (9007314-1010)	Screw, M10 x 45	4
	J050	17-14		9004700-1907	Slotted pin	1
	J051	17-14		9004700-1907	Slotted pin	1
	J110	17-14		4460586	Cover plate	1
	J120	17-14		4800482	A pad seal	1
	J130	17-14		5000622	Screw, M10 x 20	2
	J140	17-14		11158651	Coupling, 9 tooth	1

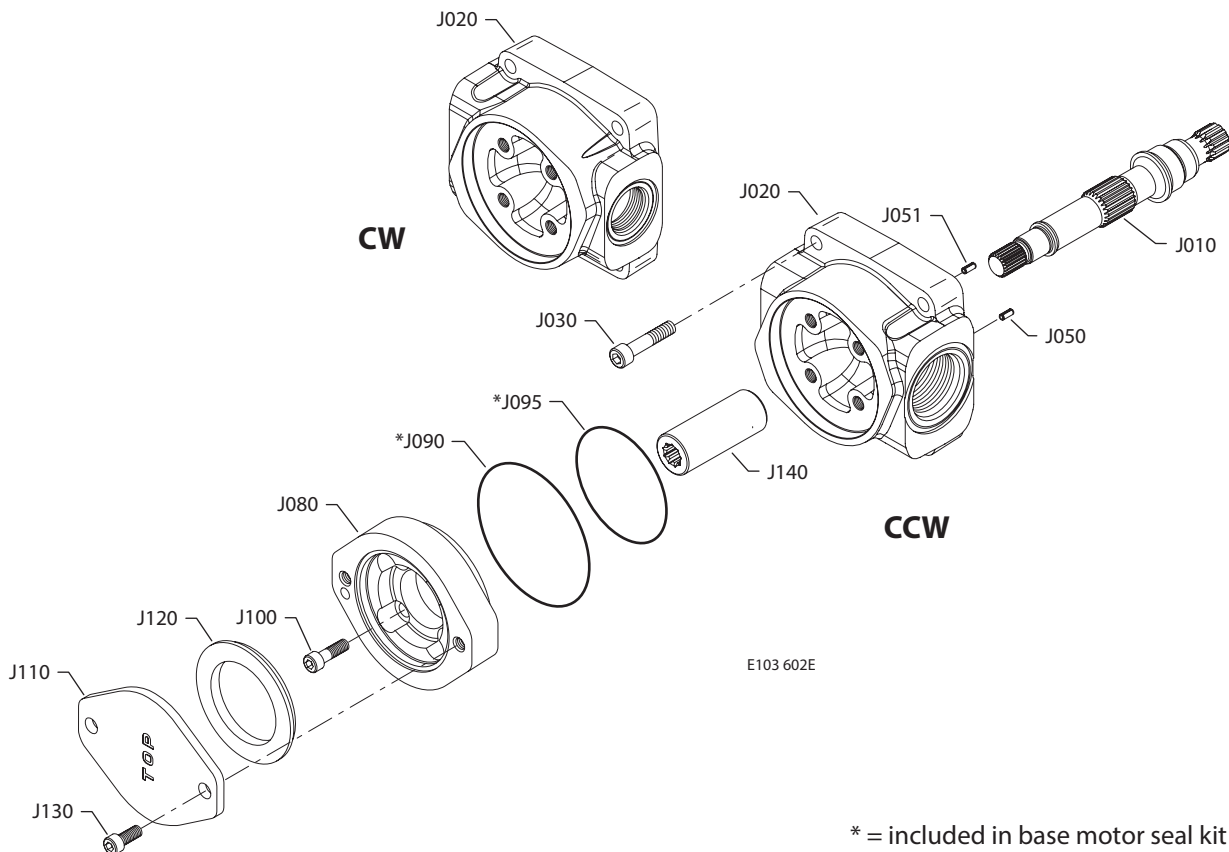


Shaft, auxiliary flange and end cap

(C3GG & C3GT)



(C3GG)



* = included in base motor seal kit Q210

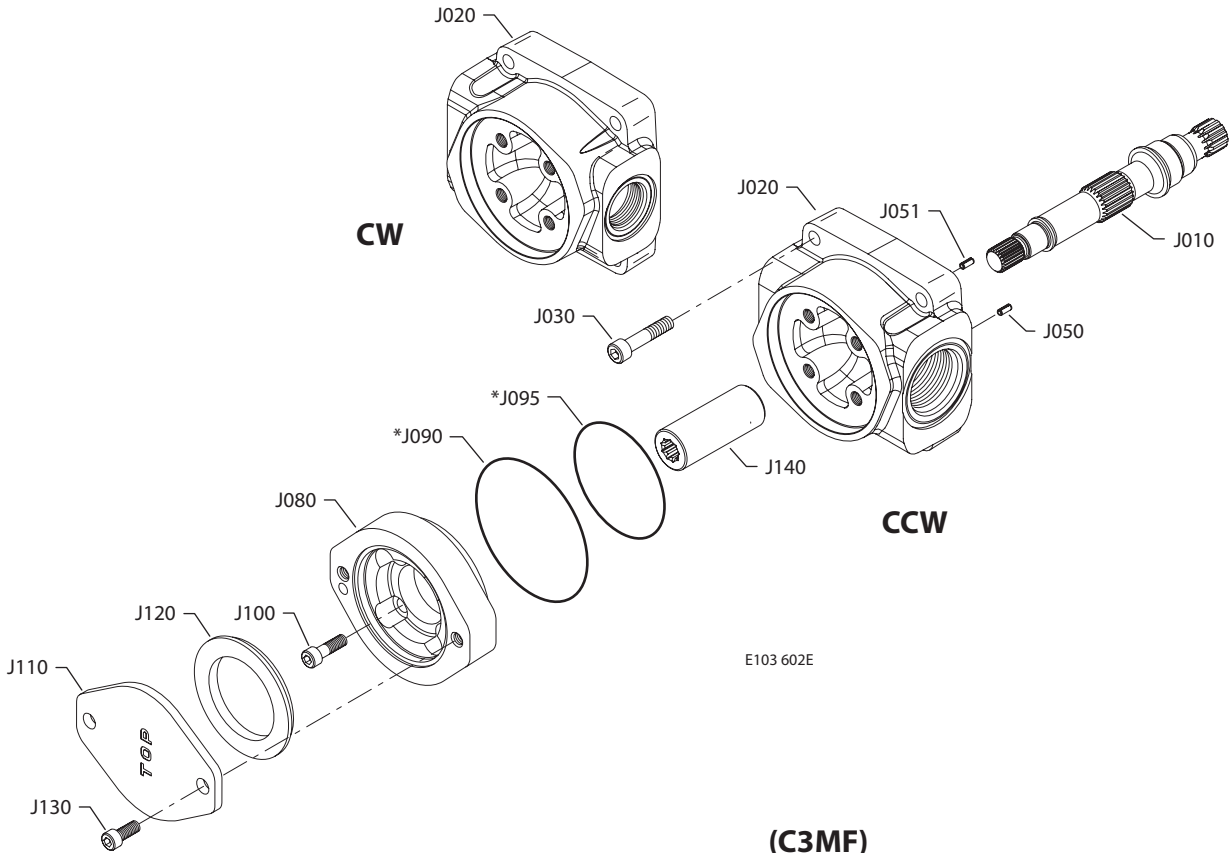
Shaft, auxiliary flange and end cap
Shaft/auxiliary flange/end cap

Order code	Item	Date begin	Date end	Part number	Part name	Qty. per model/kit
C3GG	J010	17-14		1700261	Shaft, 15 tooth spline, w/21 tooth auxiliary drive	1
	J020	17-14		11164307	End cap, CW, radial ports, K2	1
	J020	17-14		11164305	End cap, CCW, radial ports, K2	1
	J030	17-14		672295 (9007314-1010)	Screw, M10 x 45	4
	J050	17-14		9004700-1907	Slotted pin	1
	J051	17-14		9004700-1907	Slotted pin	1
	J080	17-14		4570430	Adapter, A flange	1
	J090	17-14		9004100-1550	O-ring	1
	J095	17-14		545434	O-ring	1
	J100	1700		5000489	Screw, M10 x 25	4
	J110	17-14		4460586	Cover plate	1
	J120	17-14		4800482	A pad seal	1
	J130	17-14		5000622	Screw, M10 x 20	2
	J140	17-14		11017433	Coupling, 11 tooth	1
C3GT	J010	17-14		1700261	Shaft, 15 tooth spline, w/21 tooth auxiliary drive	1
	J020	17-14		11178104	End cap, CW, radial ports, K2	1
	J020	17-14		11175319	End cap, CCW, radial ports, K2	1
	J030	17-14		672295 (9007314-1010)	Screw, M10 x 45	4
	J050	17-14		9004700-1907	Slotted pin	1
	J051	17-14		9004700-1907	Slotted pin	1
	J080	17-14		4570430	Adapter, A flange, metric	1
	J090	17-14		9004100-1550	O-ring	1
	J095	17-14		545434	O-ring	1
	J100	1700		5000489	Screw, M10 x 25	4
	J110	17-14		4460586	Cover plate	1
	J120	17-14		4800482	A pad seal	1
	J130	17-14		5000622	Screw, M10 x 20	2
	J140	17-14		11017433	Coupling, 11 tooth	1
C3GG	J010	17-14		1700261	Shaft, 15 tooth spline, w/21 tooth auxiliary drive	1
	J020	17-14		11164307	End cap, CW, radial ports, K2	1
	J020	17-14		11164305	End cap, CCW, radial ports, K2	1
	J030	17-14		672295 (9007314-1010)	Screw, M10 x 45	4
	J050	17-14		9004700-1907	Slotted pin	1
	J051	17-14		9004700-1907	Slotted pin	1
	J080	17-14		4570430	Adapter, A flange	1
	J090	17-14		9004100-1550	O-ring	1
	J095	17-14		545434	O-ring	1
	J100	1700		5000489	Screw, M10 x 25	4
	J110	17-14		4460586	Cover plate	1
	J120	17-14		4800482	A pad seal	1
	J130	17-14		5000622	Screw, M10 x 20	2
	J140	17-14		11017433	Coupling, 11 tooth	1

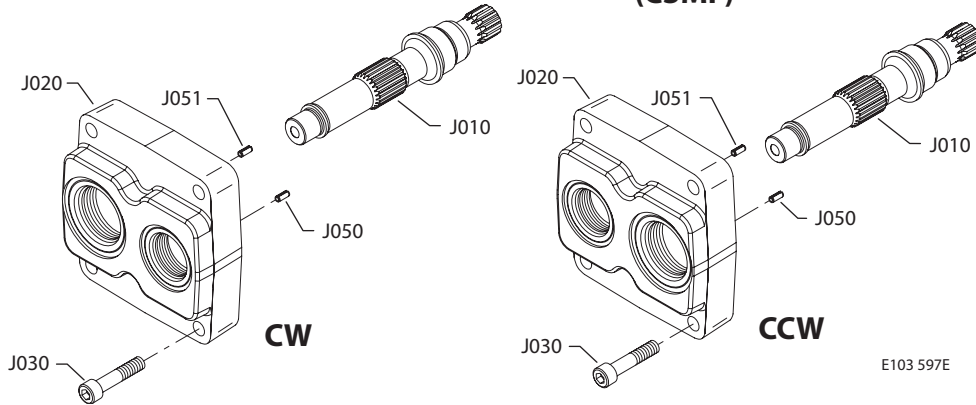


Shaft, auxiliary flange and end cap

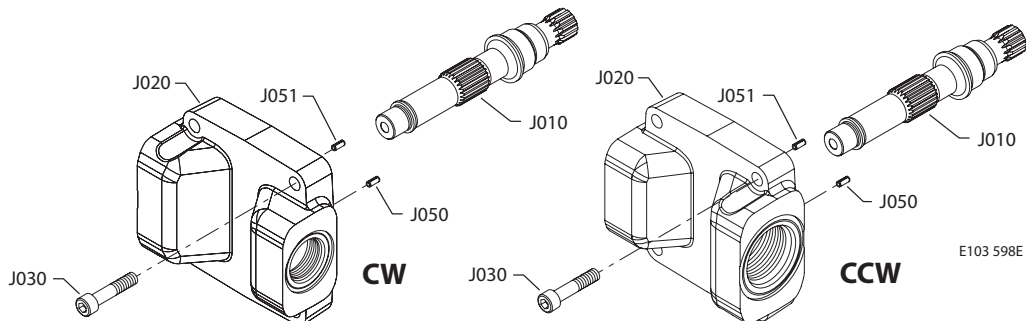
(C3GT)



(C3MF)



(C3MG)



* = included in base motor seal kit Q210

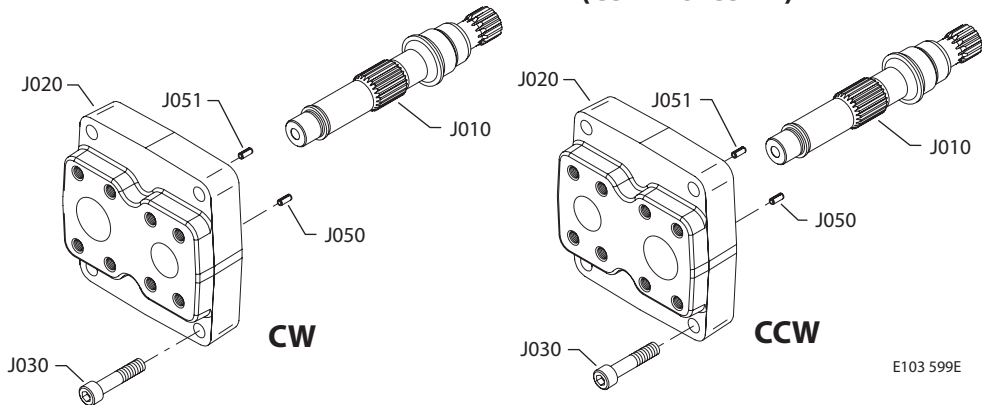

Shaft, auxiliary flange and end cap
Shaft/auxiliary flange/end cap

Order code	Item	Date begin	Date end	Part number	Part name	Qty. per model/kit
C3GT	J010	17-14		1700261	Shaft, 15 tooth spline, w/21 tooth auxiliary drive	1
	J020	17-14		11178104	End cap, CW, radial ports, K2	1
	J020	17-14		11175319	End cap, CCW, radial ports, K2	1
	J030	17-14		672295 (9007314-1010)	Screw, M10 x 45	4
	J050	17-14		9004700-1907	Slotted pin	1
	J051	17-14		9004700-1907	Slotted pin	1
	J080	17-14		4570430	Adapter, A flange, metric	1
	J090	17-14		9004100-1550	O-ring	1
	J095	17-14		545434	O-ring	1
	J100	1700		5000489	Screw, M10 x 25	4
	J110	17-14		4460586	Cover plate	1
	J120	17-14		4800482	A pad seal	1
	J130	17-14		5000622	Screw, M10 x 20	2
	J140	17-14		11017433	Coupling, 11 tooth	1
C3MF	J010	17-14		1700072	Shaft, 15 tooth spline, no auxiliary drive	1
	J020	17-14		11173936	End cap, CW, axial ports, K2	1
	J020	17-14		11164306	End cap, CCW, axial ports, K2	1
	J030	17-14		672295 (9007314-1010)	Screw, M10 x 45	4
	J050	17-14		9004700-1907	Slotted pin	1
	J051	17-14		9004700-1907	Slotted pin	1
C3MG	J010	17-14		1700072	Shaft, 15 tooth spline, no auxiliary drive	1
	J020	17-14		11173933	End cap, CW, radial ports, K2	1
	J020	17-14		11164311	End cap, CCW, radial ports, K2	1
	J030	17-14		672295 (9007314-1010)	Screw, M10 x 45	4
	J050	17-14		9004700-1907	Slotted pin	1
	J051	17-14		9004700-1907	Slotted pin	1

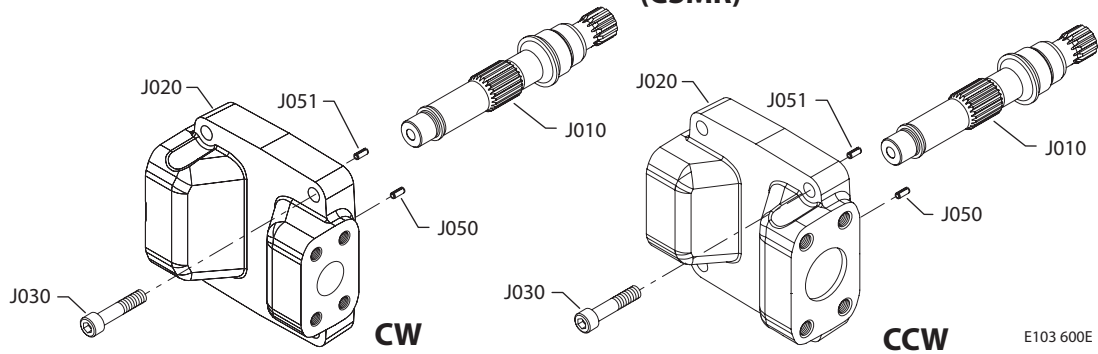


Shaft/auxiliary flange/end cap

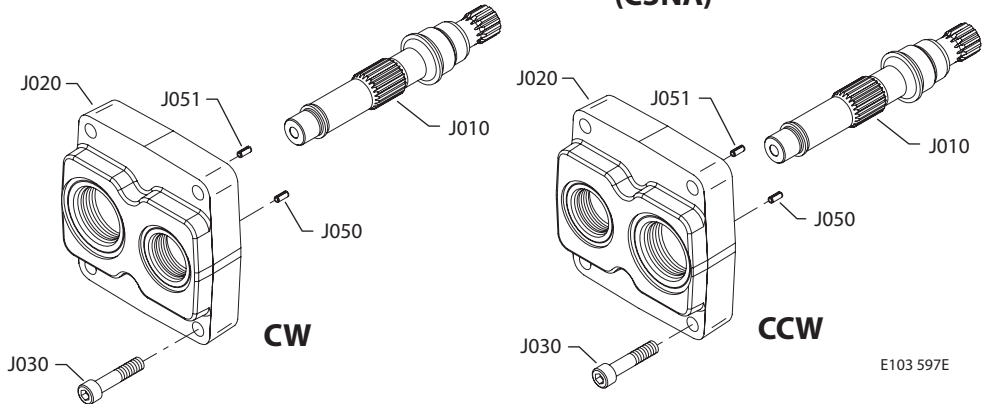
(C3MP & C3NP)



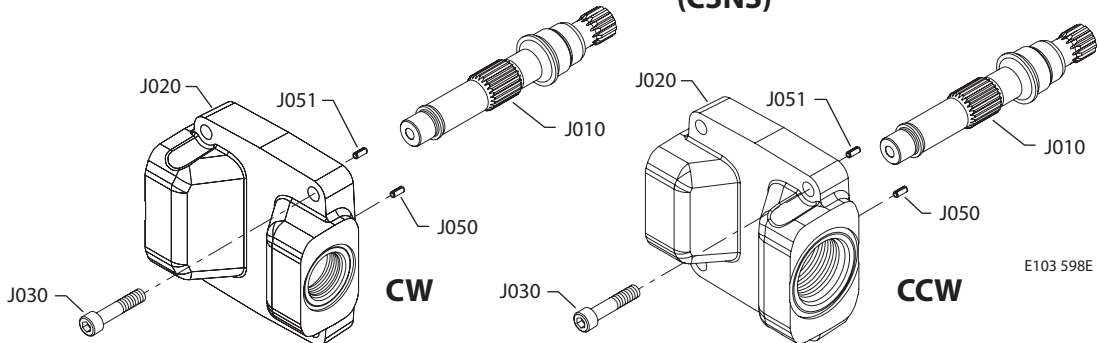
(C3MR)



(C3NA)



(C3NS)





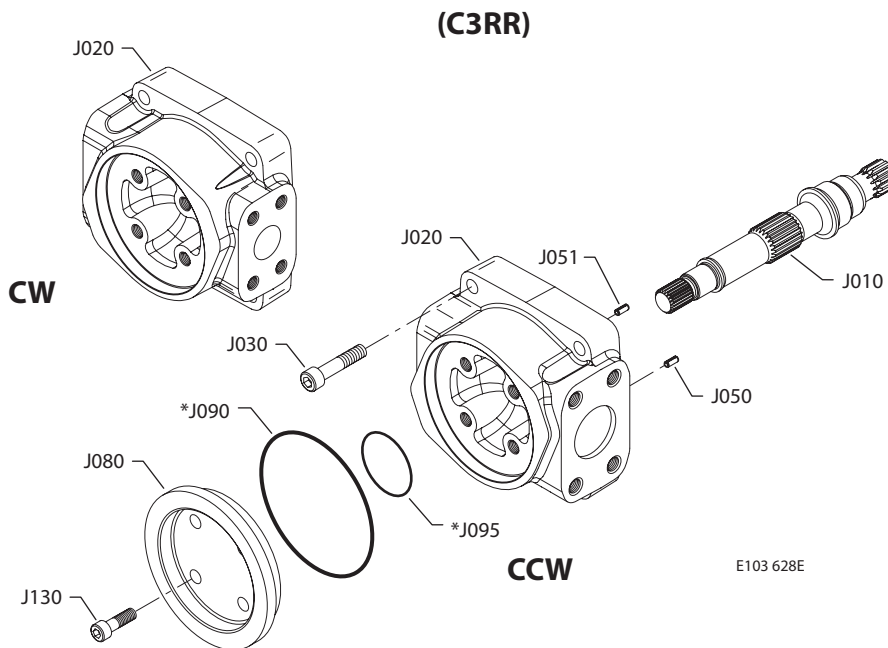
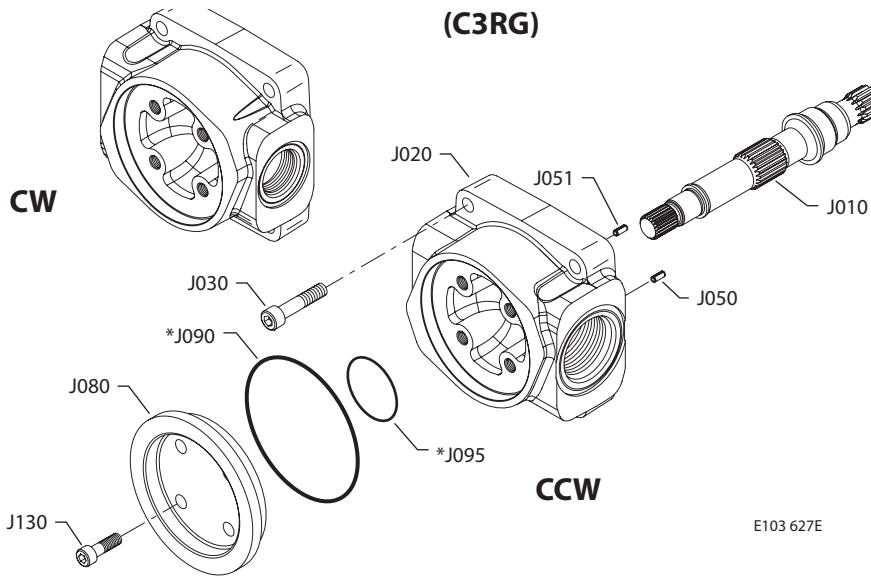
Shaft/auxiliary flange/end cap

Shaft/auxiliary flange/end cap

Order code	Item	Date begin	Date end	Part number	Part name	Qty. per model/kit
C3MP	J010	17-14		1700072	Shaft, 15 tooth spline, no auxiliary drive	1
	J020	17-14		11176730	End cap, CW, axial ports, K2	1
	J020	17-14		11173934	End cap, CCW, axial ports, K2	1
	J030	17-14		672295 (9007314-1010)	Screw, M10	4
	J050	17-14		9004700-1907	Slotted pin	1
	J051	17-14		9004700-1907	Slotted pin	1
	C3MR	J010	17-14		1700072	Shaft, 15 tooth spline, no auxiliary drive
J020		17-14		11176729	End cap, CW, radial ports, K2	1
J020		17-14		11173932	End cap, CCW, radial ports, K2	1
J030		17-14		672295 (9007314-1010)	Screw, M10	4
J050		17-14		9004700-1907	Slotted pin	1
J051		17-14		9004700-1907	Slotted pin	1
C3NA		J010	17-14		1700072	Shaft, 15 tooth spline, no auxiliary drive
	J020	17-14		11178112	End cap, CW, axial ports, K2	1
	J020	17-14		11178114	End cap, CCW, axial ports, K2	1
	J030	17-14		672295 (9007314-1010)	Screw, M10 x 45	4
	J050	17-14		9004700-1907	Slotted pin	1
	J051	17-14		9004700-1907	Slotted pin	1
	C3NP	J010	17-14		1700072	Shaft, 15 tooth spline, no auxiliary drive
J020		17-14		11175286	End cap, CW, axial ports, K2	1
J020		17-14		11178113	End cap, CCW, axial ports, K2	1
J030		17-14		672295 (9007314-1010)	Screw, M10	4
J050		17-14		9004700-1907	Slotted pin	1
J051		17-14		9004700-1907	Slotted pin	1
C2NS		J010	17-14		1700072	Shaft, 15 tooth spline, no auxiliary drive
	J020	17-14		11178091	End cap, CW, radial ports, K2	1
	J020	17-14		11178110	End cap, CCW, radial ports, K2	1
	J030	17-14		672295 (9007314-1010)	Screw, M10 x 45	4
	J050	17-14		9004700-1907	Slotted pin	1
	J051	17-14		9004700-1907	Slotted pin	1



Shaft, auxiliary flange and end cap



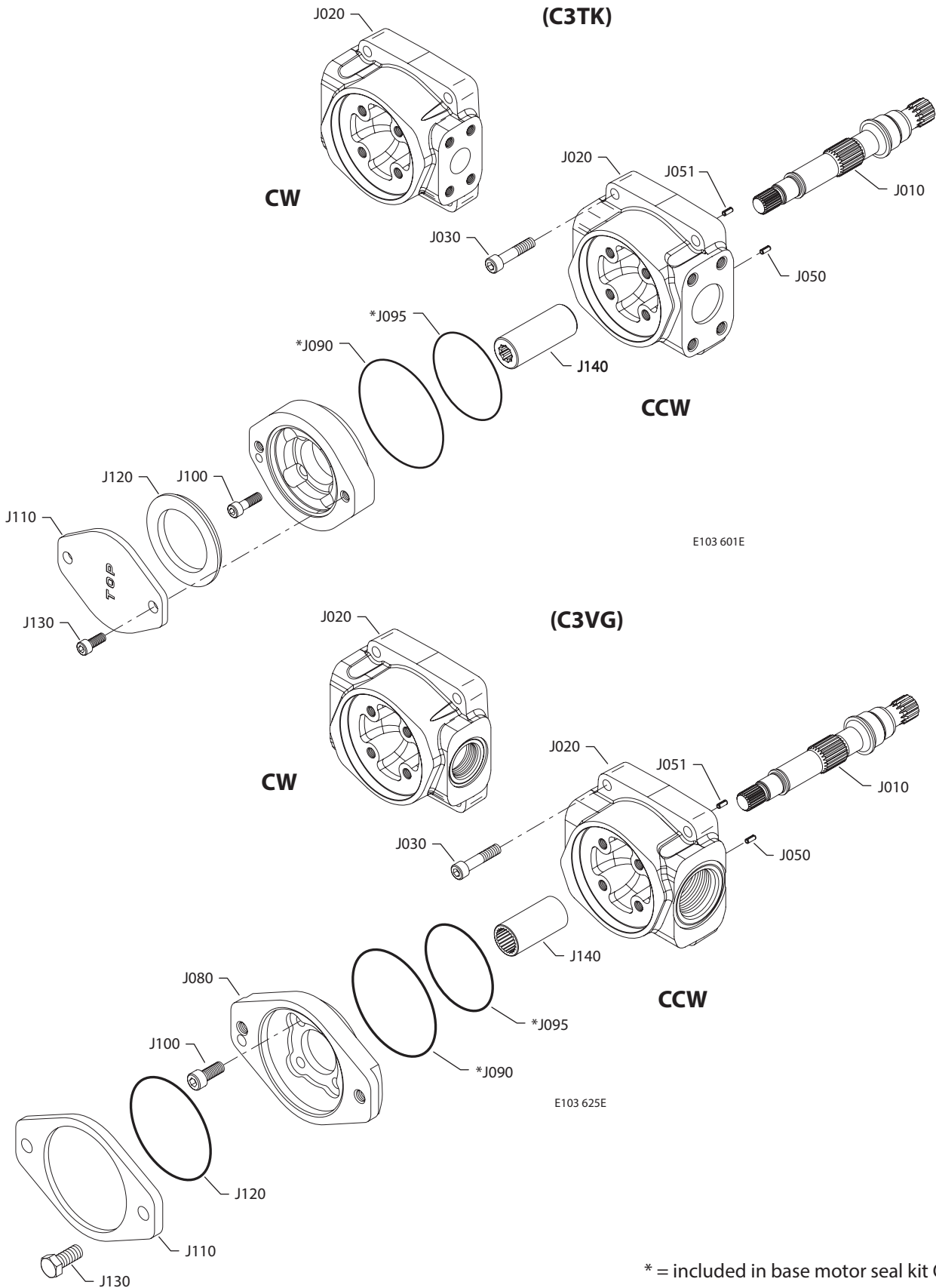
* = included in base motor seal kit Q210


Shaft, auxiliary flange and end cap
Shaft/auxiliary flange/end cap

Order code	Item	Date begin	Date end	Part number	Part name	Qty. per model/kit
C3RG	J010	17-14		1700261	Shaft, 15 tooth spline, w/21 tooth auxiliary drive	1
	J020	17-14		11164307	End cap, CW, radial ports, K2	1
	J020	17-14		11164305	End cap, CCW, radial ports, K2	1
	J030	17-14		672295 (9007314-1010)	Screw, M10 x 45	4
	J050	17-14		9004700-1907	Slotted pin	1
	J051	17-14		9004700-1907	Slotted pin	1
	J080	17-14		4570179	Running cover	1
	J090	17-14		9004100-1550	O-ring	1
	J095	17-14		9004104-0310	O-ring	1
	J100	1700		5000489	Screw, M10 x 25	4
C3RR	J010	17-14		1700261	Shaft, 15 tooth spline, w/21 tooth auxiliary drive	1
	J020	17-14		11171411	End cap, CW, radial ports, K2	1
	J020	17-14		11173919	End cap, CCW, radial ports, K2	1
	J030	17-14		672295 (9007314-1010)	Screw, M10 x 45	4
	J050	17-14		9004700-1907	Slotted pin	1
	J051	17-14		9004700-1907	Slotted pin	1
	J080	17-14		4570179	Running cover	1
	J090	17-14		9004100-1550	O-ring	1
	J095	17-14		9004104-0310	O-ring	1
	J100	1700		5000489	Screw, M10 x 25	4



Shaft, auxiliary flange and end cap

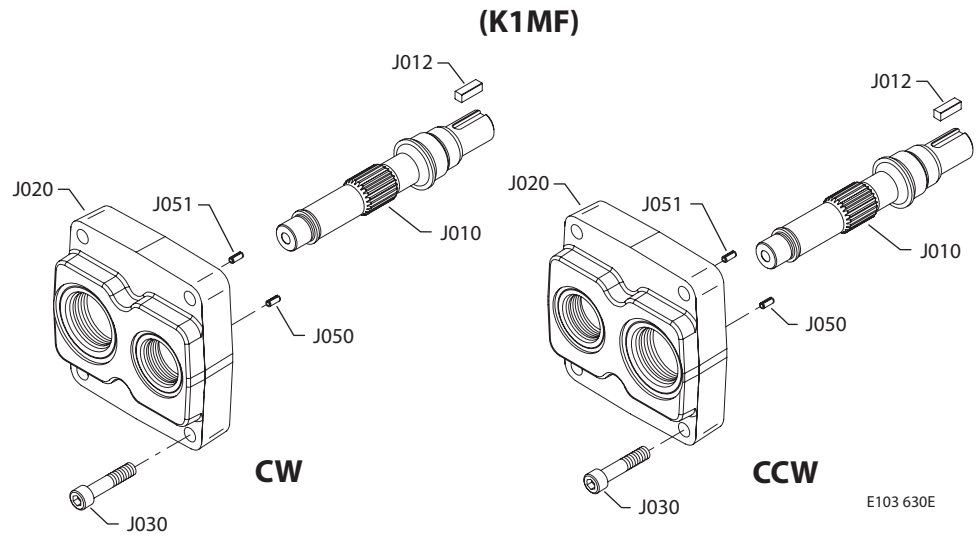
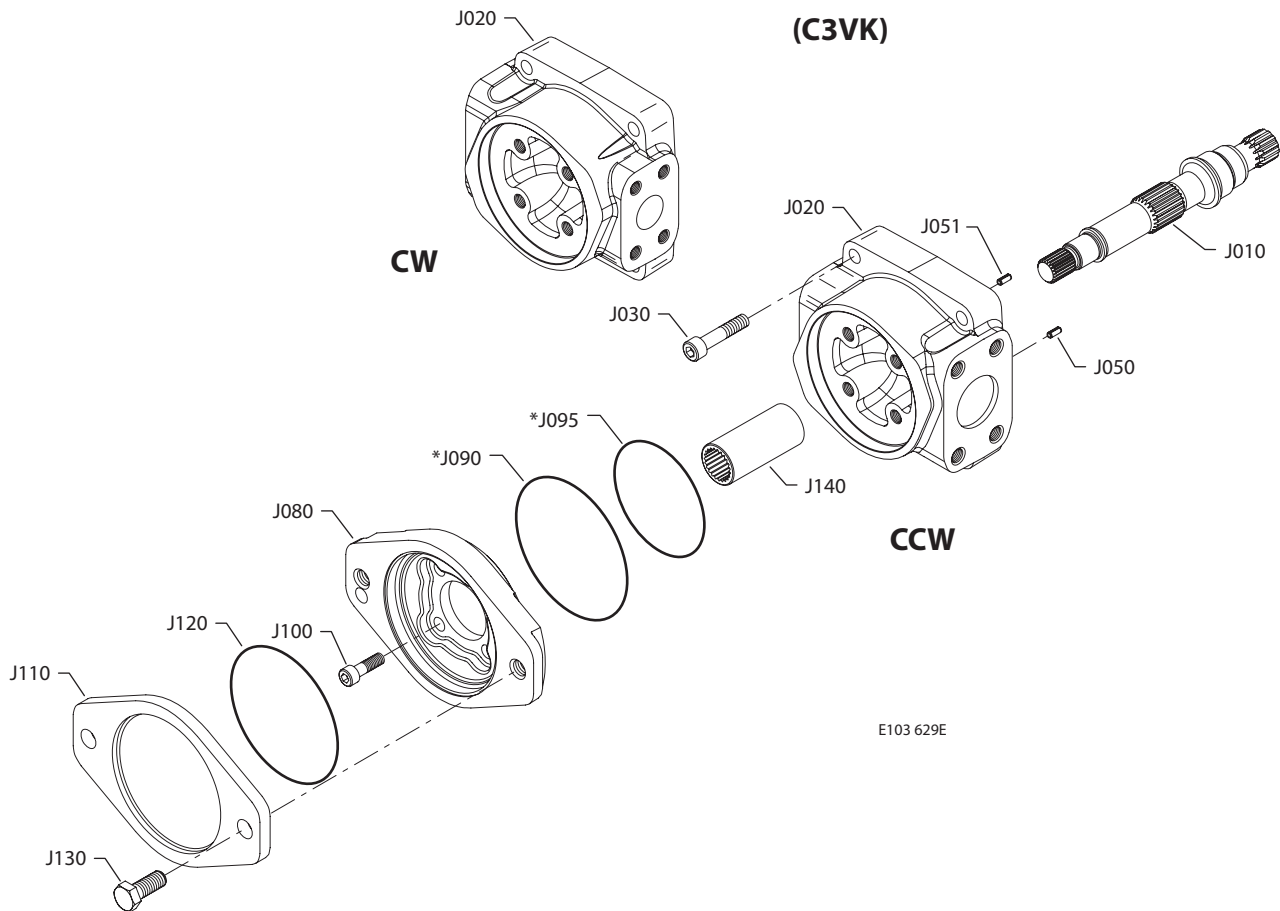



Shaft, auxiliary flange and end cap
Shaft/auxiliary flange/end cap

Order code	Item	Date begin	Date end	Part number	Part name	Qty. per model/kit
C3TK	J010	17-14		1700261	Shaft, 15 tooth spline, w/21 tooth auxiliary drive	1
	J020	17-14		11171411	End cap, CW, radial ports, K2	1
	J020	17-14		11173919	End cap, CCW, radial ports, K2	1
	J030	17-14		672295 (9007314-1010)	Screw, M10 x 45	4
	J050	17-14		9004700-1907	Slotted pin	1
	J051	17-14		9004700-1907	Slotted pin	1
	J080	17-14		4570430	Flange apadter, A pad	1
	J090	17-14		9004100-1550	O-ring	1
	J095	17-14		545434	O-ring	1
	J100	17-14		5000489	Screw, M10 x 25	4
	J110	17-14		4460586	Cover plate	1
	J120	17-14		4800482	A pad seal	1
	J130	17-14		5000622	Screw, M10 x 20	2
	J140	17-14		11017433	Coupling, 11 tooth	1
C3VG	J010	17-14		1700261	Shaft, 15 tooth spline, w/21 tooth auxiliary drive	1
	J020	17-14		11164307	End cap, CW, radial ports, K2	1
	J020	17-14		11164305	End cap, CCW, radial ports, K2	1
	J030	17-14		672295 (9007314-1010)	Screw, M10 x 45	4
	J050	17-14		9004700-1907	Slotted pin	1
	J051	17-14		9004700-1907	Slotted pin	1
	J080	17-14		4570390	Adapter,B flange, metric	1
	J090	17-14		9004100-1550	O-ring	1
	J095	17-14		545434	O-ring	1
	J100	1700		5000489	Screw, M10 x 25	4
	J110	17-14		4460370	Cover plate, B flange	1
	J120	17-14		9004104-0440	O-ring	1
	J130	17-14		370320	Screw, M12 x 25	2
	J140	17-14		11021707	Coupling, 15 tooth	1



Shaft, auxiliary flange and end cap



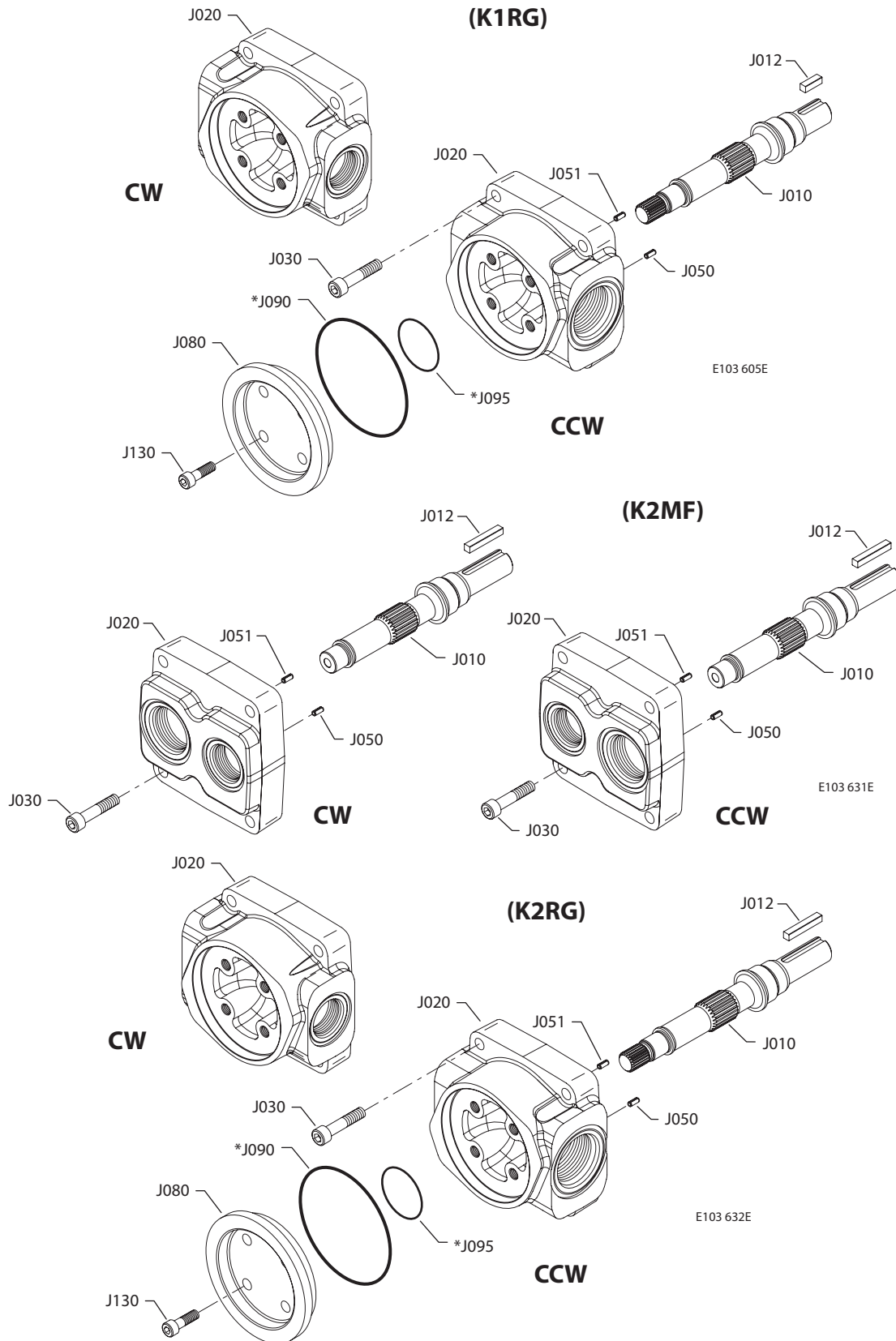
* = included in base motor seal kit Q210


Shaft, auxiliary flange and end cap
Shaft/auxiliary flange/end cap

Order code	Item	Date begin	Date end	Part number	Part name	Qty. per model/kit
C3VK	J010	17-14		1700261	Shaft, 15 tooth spline, w/21 tooth auxiliary drive	1
	J020	17-14		11171411	End cap, CW, radial ports, K2	1
	J020	17-14		11173919	End cap, CCW, radial ports, K2	1
	J030	17-14		672295 (9007314-1010)	Screw, M10 x 45	4
	J050	17-14		9004700-1907	Slotted pin	1
	J051	17-14		9004700-1907	Slotted pin	1
	J080	17-14		4570390	Adapter,B flange, metric	1
	J090	17-14		9004100-1550	O-ring	1
	J095	17-14		545434	O-ring	1
	J100	1700		5000489	Screw, M10 x 25	4
	J110	17-14		4460370	Cover plate, B flange	1
	J120	17-14		9004104-0440	O-ring	1
	J130	17-14		370320	Screw, M12 x 25	2
	J140	17-14		11021707	Coupling, 15 tooth	1
K1MF	J010	17-14		1700757	Shaft, straight key, no auxiliary drive	1
	J012	17-14		5000664	Key, 0.25 x 0.75	1
	J020	17-14		11173936	End cap, CW, axial ports, K2	1
	J020	17-14		11164306	End cap, CCW, axial ports, K2	1
	J030	17-14		672295 (9007314-1010)	Screw, M10 x 45	4
	J050	17-14		9004700-1907	Slotted pin	1
	J051	17-14		9004700-1907	Slotted pin	1
K1RG	J010	17-14		11066789	Shaft, straight key, w/21 tooth auxiliary drive	1
	J012	17-14		5000664	Key, 0.25 x 0.75	1
	J020	17-14		11164307	End cap, CW, radial ports, K2	1
	J020	17-14		11164305	End cap, CCW, radial ports, K2	1
	J030	17-14		672295 (9007314-1010)	Screw, M10 x 45	4
	J050	17-14		9004700-1907	Slotted pin	1
	J051	17-14		9004700-1907	Slotted pin	1
	J080	17-14		4570179	Running cover	1
	J090	17-14		9004100-1550	O-ring	1
	J095	17-14		9004104-0310	O-ring	1
	J100	17-14		5000489	Screw, M10 x 25	5



Shaft, auxiliary flange and end cap



* = included in base motor seal kit Q210

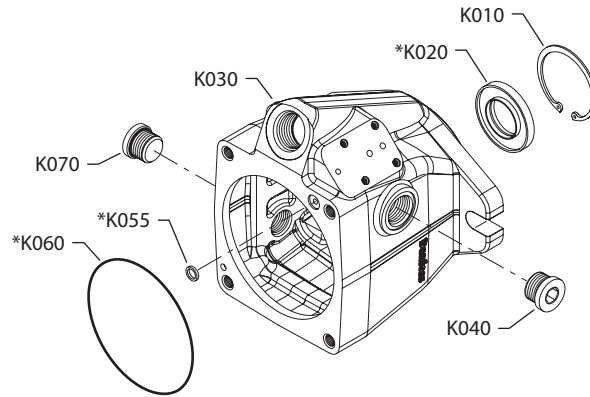

Shaft, auxiliary flange and end cap
Shaft/auxiliary flange/end cap

Order code	Item	Date begin	Date end	Part number	Part name	Qty. per model/kit
K1RG	J010	17-14		11066789	Shaft, straight key, w/21 tooth auxiliary drive	1
	J012	17-14		5000664	Key, 0.25 x 0.75	1
	J020	17-14		11164307	End cap, CW, radial ports, K2	1
	J020	17-14		11164305	End cap, CCW, radial ports, K2	1
	J030	17-14		672295 (9007314-1010)	Screw, M10 x 45	4
	J050	17-14		9004700-1907	Slotted pin	1
	J051	17-14		9004700-1907	Slotted pin	1
	J080	17-14		4570179	Running cover	1
	J090	17-14		9004100-1550	O-ring	1
	J095	17-14		9004104-0310	O-ring	1
	J100	17-14		5000489	Screw, M10 x 25	5
K2MF	J010	17-14		1700480	Shaft, straight key, no auxiliary drive	1
	J012	17-14		9003261-2524	Key, 0.25 x 1.5	1
	J020	17-14		11173936	End cap, CW, axial ports, K2	1
	J020	17-14		11164306	End cap, CCW, axial ports, K2	1
	J030	17-14		672295 (9007314-1010)	Screw, M10 x 45	4
	J050	17-14		9004700-1907	Slotted pin	1
	J051	17-14		9004700-1907	Slotted pin	1
K2RG	J010	17-14		1700570	Shaft, straight key, w/21 tooth auxiliary drive	1
	J012	17-14		9003261-2524	Key, 0.25 x 1.5	1
	J020	17-14		11164307	End cap, CW, radial ports, K2	1
	J020	17-14		11164305	End cap, CCW, radial ports, K2	1
	J030	17-14		672295 (9007314-1010)	Screw, M10 x 45	4
	J050	17-14		9004700-1907	Slotted pin	1
	J051	17-14		9004700-1907	Slotted pin	1
	J080	17-14		4570179	Running cover	1
	J090	17-14		9004100-1550	O-ring	1
	J095	17-14		9004104-0310	O-ring	1
	J100	17-14		5000489	Screw, M10 x 25	5

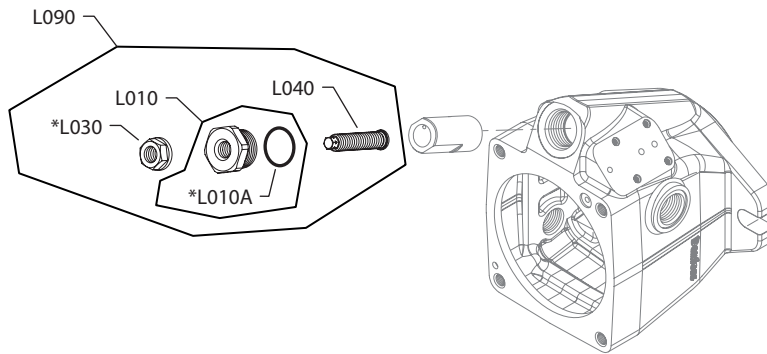


Housing/shaft seal and displacement limiter

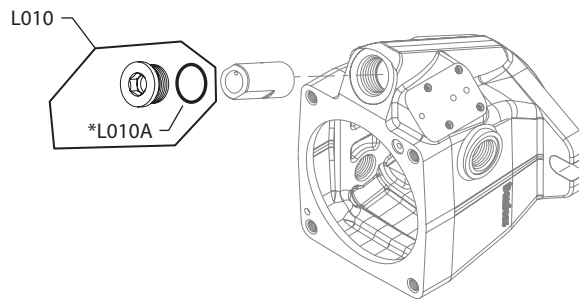
(A5N & A6N)



(A85 & AAA)



(PLB)



E103 606E

* = included in base motor seal kit Q210


Housing/shaft seal and displacement limiter
Housing/shaft seal

Order code	Item	Date begin	Date end	Part number	Part name	Qty. per model/kit
A5N	K010	17-14		9006200-0206	Retaining ring	1
	K020	17-14		1701383	Lip seal	1
	K030	17-14		11163863	Housing, metric	1
	K040	17-14		5000439	Plug assembly, M22	1
	K055	17-14		4740154	Seal ring	1
	K060	17-14		5000581	O-ring	1
	K070	17-14		5000439	Plug assembly, M22	1
A6N	K010	17-14		9006200-0206	Retaining ring	1
	K020	17-14		1701383	Lip seal	1
	K030	17-14		11168823	Housing	1
	K040	17-14		315325 (9005110-8700)	Plug assembly	1
	K055	17-14		4740154	Seal ring	1
	K060	17-14		5000581	O-ring	1
	K070	17-14		315325 (9005110-8700)	Plug assembly	1

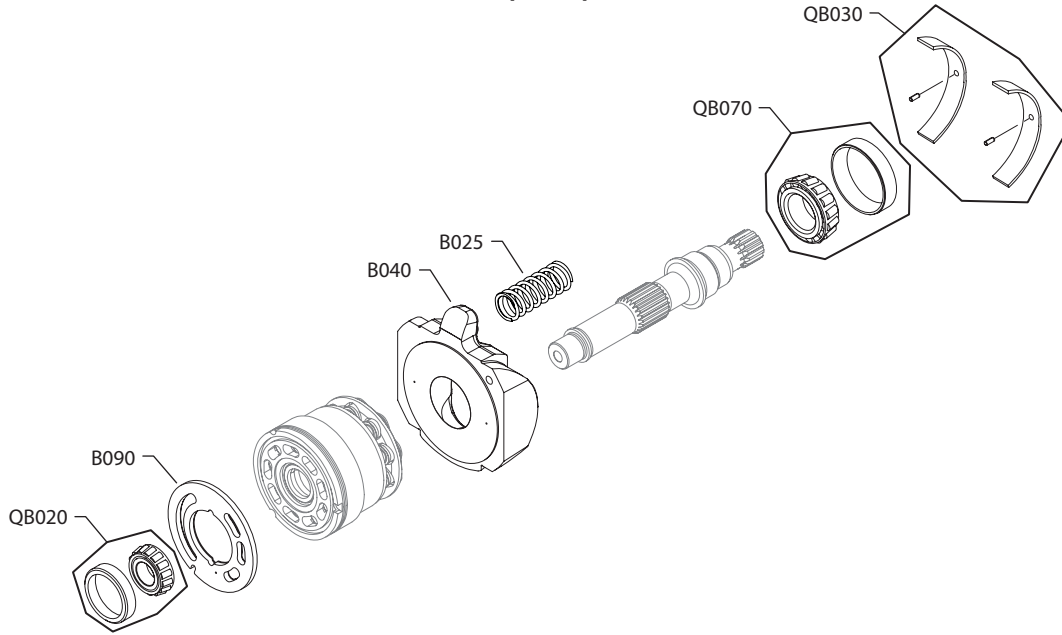
Displacement limiter

A85	L010	17-14		11175380	Displace limiter plug assembly	1
	L010A	17-14		001156 (9004201-7500)	O-ring	1
	L030	17-14		9003509-0012	Seal nut, M12	1
	L040	17-14		11139902	Servo screw	1
	L0090	17-14		11175381	Displacement limiter assembly	1
AAA	L010	17-14		11175380	Displace limiter plug assembly	1
	L010A	17-14		001156 (9004201-7500)	O-ring	1
	L030	17-14		9003509-0012	Seal nut, M12	1
	L040	17-14		11139902	Servo screw	1
	L0090	17-14		11175381	Displacement limiter assembly	1
PLB	L010A	17-14		001156 (9004201-7500)	O-ring	1
	L0090	17-14		664524 (9005110-9000)	Plug assembly	1

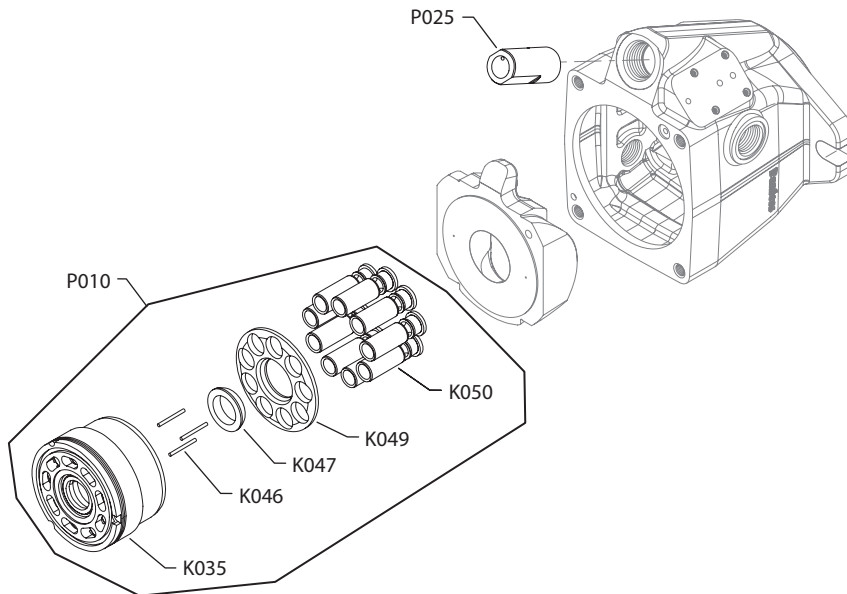


Special hardware features

(NNN)



(25C, 30C, 38C, 40C & 45C)




Special hardware features
Special hardware

Order code	Item	Date begin	Date end	Part number	Part name	Qty. per model/kit
NNN	B025	17-14		11158650	Bias spring	1
	B040	17-14		11170851	Swashplate	1
	B090	17-14		1700542	Valve plate, CW	1
	B090	17-14		1700639	Valve plate, CCW	1
	QB020	17-14		4510330	Rear bearing kit	1
	QB030	17-14		11184056	Swashplate bearing kit	1
	QB070	17-14		4510326	Front bearing kit	1

Displacement

25C	K035	17-14		11089225	Cylinder block assembly	1
	K046	17-14		4700091	Slipper hold down pin	3
	K047	17-14		3103487	Slipper retainer guide	1
	K049	17-14		3103488	Slipper retainer	1
	K050	17-14		4400040	Piston assembly, 38cc	9
	P010	17-14		11048662	Cylinder block kit, 38cc	1
	P025	17-14		11178031	Servo piston, 25cc	1
	30C	K035	17-14		11089225	Cylinder block assembly
K046		17-14		4700091	Slipper hold down pin	3
K047		17-14		3103487	Slipper retainer guide	1
K049		17-14		3103488	Slipper retainer	1
K050		17-14		4400040	Piston assembly, 38cc	9
P010		17-14		11048662	Cylinder block kit, 38cc	1
P025		17-14		11178030	Servo piston, 30cc	1
38C		K035	17-14		11089225	Cylinder block assembly
	K046	17-14		4700091	Slipper hold down pin	3
	K047	17-14		3103487	Slipper retainer guide	1
	K049	17-14		3103488	Slipper retainer	1
	K050	17-14		4400040	Piston assembly, 38cc	9
	P010	17-14		11048662	Cylinder block kit, 38cc	1
	P025	17-14		11175247	Servo piston, 45/38cc	1
	40C	K035	17-14		11089226	Cylinder block assembly
K046		17-14		4700091	Slipper hold down pin	3
K047		17-14		3103487	Slipper retainer guide	1
K049		17-14		3103488	Slipper retainer	1
K050		17-14		4400041	Piston assembly, 45cc	9
P010		17-14		11102927	Cylinder block kit, 45cc	1
P025		17-14		11170492	Servo piston, 40cc	1
45C		K035	17-14		11089226	Cylinder block assembly
	K046	17-14		4700091	Slipper hold down pin	3
	K047	17-14		3103487	Slipper retainer guide	1
	K049	17-14		3103488	Slipper retainer	1
	K050	17-14		4400041	Piston assembly, 45cc	9
	P010	17-14		11102927	Cylinder block kit, 45cc	1
	P025	17-14		11175247	Servo piston, 45/38cc	1


Seal kit
Overhaul seal kit

Order Code	Item	Date Begin	Date End	Part Number	Part Name	Qty. per Model/Kit
	Q210	17-14		11189431	Overhaul seal kit	1
	C118	17-14		11062214	Adjusting plug assembly	1
	C128A	17-14		085043 (9004201-3700)	O-ring	1
	C128B	17-14		732479	O-ring	1
	C138A	17-14		5000656	O-ring	1
	C200	17-14		4740154	Seal ring	4
	J090	17-14		9004100-1550	O-ring	1
	J095	17-14		545434 (9004100-0420)	O-ring	1
	J095	17-14		9004104-0310	O-ring	1
	K020	17-14		1701383	Lip seal	1
	K055	17-14		4740154	Seal ring	1
	K060	17-14		5000581	O-ring	1
	L010A	17-14		001156 (9004201-7500)	O-ring	1
	L030	17-14		9003509-0012	Seal nut, M12	1
	C154	17-14		4740154	Seal ring	2
	QC120	17-14		11103621	Solenoid valve seal kit	1
	QC120	17-14		085043 (9004201-3700)	O-ring	1
	QC130	17-14		063172	O-ring	1
	QC135	17-14		11031608	O-ring	1



Notes



Products we offer:

- Bent Axis Motors
- Closed Circuit Axial Piston Pumps and Motors
- Displays
- Electrohydraulic Power Steering
- Electrohydraulics
- Hydraulic Power Steering
- Integrated Systems
- Joysticks and Control Handles
- Microcontrollers and Software
- Open Circuit Axial Piston Pumps
- Orbital Motors
- PLUS+1® GUIDE
- Proportional Valves
- Sensors
- Steering
- Transit Mixer Drives

Danfoss Power Solutions is a global manufacturer and supplier of high-quality hydraulic and electronic components. We specialize in providing state-of-the-art technology and solutions that excel in the harsh operating conditions of the mobile off-highway market. Building on our extensive applications expertise, we work closely with our customers to ensure exceptional performance for a broad range of off-highway vehicles.

We help OEMs around the world speed up system development, reduce costs and bring vehicles to market faster.

Danfoss – Your Strongest Partner in Mobile Hydraulics.

Go to www.powersolutions.danfoss.com for further product information.

Wherever off-highway vehicles are at work, so is Danfoss.

We offer expert worldwide support for our customers, ensuring the best possible solutions for outstanding performance. And with an extensive network of Global Service Partners, we also provide comprehensive global service for all of our components.

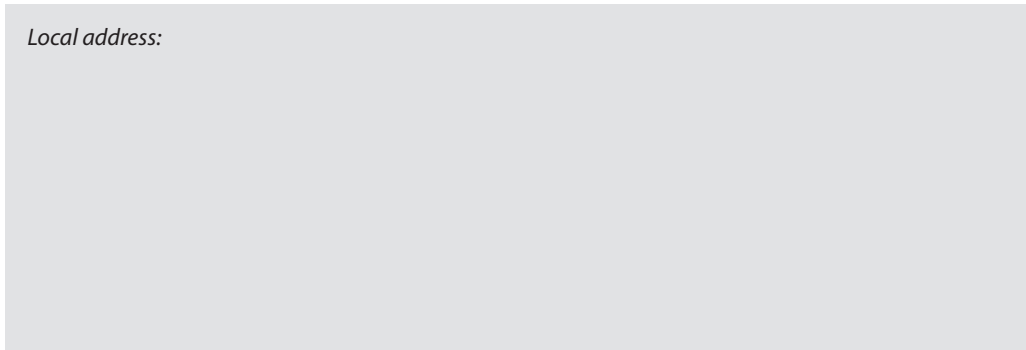
Please contact the Danfoss Power Solution representative nearest you.

Comatrol
www.comatrol.com

Turolla
www.turollaocg.com

Hydro-Gear
www.hydro-gear.com

Daikin-Sauer-Danfoss
www.daikin-sauer-danfoss.com



Local address:

Danfoss Power Solutions US Company
2800 East 13th Street
Ames, IA 50010, USA
Phone: +1 515 239 6000

Danfoss Power Solutions GmbH & Co. OHG
Krokamp 35
D-24539 Neumünster, Germany
Phone: +49 4321 871 0

Danfoss Power Solutions ApS
Nordborgvej 81
DK-6430 Nordborg, Denmark
Phone: +45 7488 4444

Danfoss Power Solutions
Building #22, No. 1000 Jin Hai Rd
Jin Qiao, Pudong New District
Shanghai, China 201206
Phone: +86 21 3418 5200

Danfoss can accept no responsibility for possible errors in catalogues, brochures and other printed material. Danfoss reserves the right to alter its products without notice. This also applies to products already on order provided that such alterations can be made without consequential changes being necessary in specifications already agreed. All trademarks in this material are property of the respective companies. Danfoss and the Danfoss logotype are trademarks of Danfoss A/S. All rights reserved.