

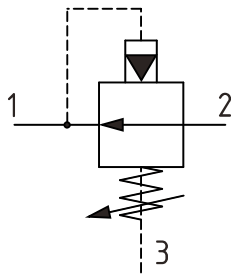
# Pressure Reducing Valves CP230-4

Pressure Reducing, Non-Relieving, Pilot Operated  
350 bar [5000 psi] • 40 l/min [11 US gpm]

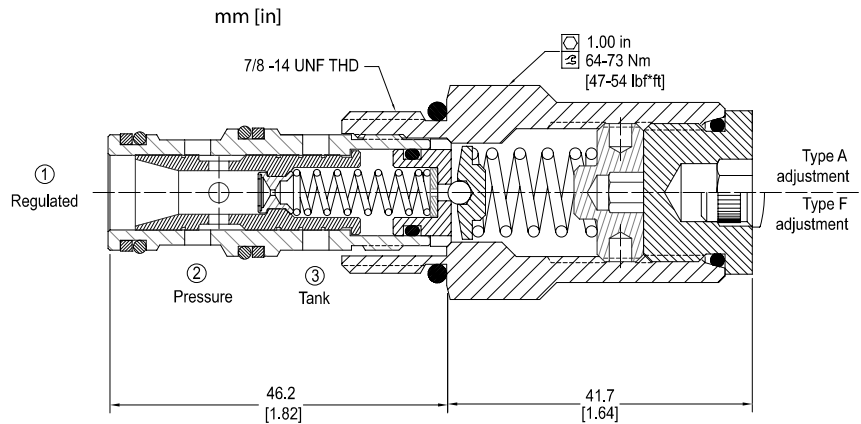
## DESCRIPTION AND OPERATION

This is a normally open, pilot operated pressure reducing valve. Port 2 is open to port 1 until the setting is reached at which time the valve throttles the outlet flow limiting the pressure. Port 3 is a drain port only, as the valve does not contain a relief function. This valve, is ideal for stable and precise control of a secondary pressure within a circuit.

## SCHEMATIC



## DIMENSIONS

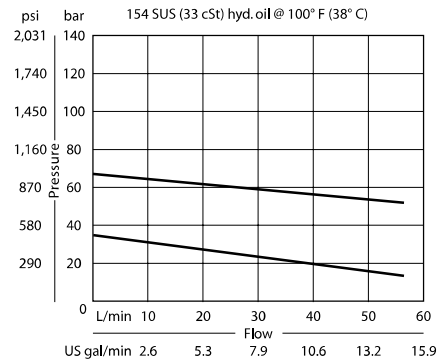


## PERFORMANCE DATA

Rated pressure	350 bar [5000 psi]
Rated flow @ 7 bar [100 psi]	40 l/min [11 US gpm]
Weight	0.20 kg [0.43 lb]
Cavity	SDC10-3

## PERFORMANCE CURVES

Pressure Override



## MODEL CODE

**CP230 - 4 - B - 6S - A - C - 150**

### Seal Option

Code	Seal Kit
B - Buna-N	120027
V-Viton	120028

### Housing

Code	Ports & Material	Housing Model Code
00	No Housing	No Housing
SE3B	Al. 3/8 BSP	SDC10-3-SE-3B
SE4B	Al. 1/2 BSP	SDC10-3-SE-4B
6S	Al. #6 SAE	CP10-3-6S
8S	Al. #8 SAE	CP10-3-8S

\* Aluminum bodies are to be used for pressures less than 210 bar [3000 psi].  
\* Additional housings available

### Adjustment Option

A - Internal  
E - External  
F - Tamper Resistant  
K - Knob

### Pressure Setting

Code x10 - Pressure setting in psi  
(10 psi increments within specified Pressure Range)  
XXX-Standard setting (see Pressure Range for value)  
Example:

Code	Bar	Psi
150	103	[1500]

### Pressure Range

Code	Bar	Psi
A	14-55	[200-800]
Standard Setting	28	[400]
B	21-103	[300-1500]
Standard Setting	69	[1000]
C	28-210	[400-3000]
Standard Setting	103	[1500]
D	28-350	[400-5000]
Standard Setting	103	[1500]