



# Floor Heating Controls

## Danfoss Icon2™ 24V Wired Room Thermostat

## Description

Danfoss Icon2™ 24 V wired room thermostat offers a minimalistic design that makes them fade away and blend into surroundings when the display is not active.

The thermostat uses powerline communication which makes installation very easy.

The Icon2™ 24 V wired room thermostat is compatible with both Icon™ 24 V Master Controller and Icon2™ Main Controller. Please be aware that FW update function is only available in combination with Icon2™ Main controller.

## Features & benefits

- Touch user interface
- Floor sensor (accessory)
- UV resistant plastic to reduce yellowing over time
- Temperature limiting (between 4 °C and 35 °C)
- Possibility to deselect cooling for specific room
- Dual heat emitter (e.g. radiator and floor heating in same room)

## Ordering

### Product code numbers

| Product Type                | Description                                     | Code number |
|-----------------------------|---|-------------|
| Danfoss Icon2™ 24V RT wired | 24V Room Thermostat, In-wall 80x80              | 088U2125    |
| Danfoss Icon2™ 24V RT wired | 24V Room Thermostat, In-wall 86x86              | 088U2126    |
| Danfoss Icon2™ 24V RT wired | 24V Room Thermostat, In-wall, 88x88, CH version | 088U2127    |
| Danfoss Icon2™ 24V RT wired | 24V Room Thermostat, On-wall, 86x86             | 088U2128    |

### Accessories code numbers



088U1110

#### Danfoss Icon Floor Sensor for 24 V and 230 V

Danfoss Icon Floor Sensor for 24 V and 230 V

Related products

088U2125

088U2126


088U2127

088U2128

## Product details

### General data

**Table: Technical Data**

|  |  |
|--|--|
| Purpose of control                               | Room thermostat for room temperature control   |
| Ambient temperature range, continuous use        | 0 – 40 °C  |
| Encapsulation (IP Class)                         | IP 21  |
| Supply voltage                                   | 24 V DC  |
| Conformity declared acc. to following directives | EMC, RoHS, WEEE  |
| Protection class                                 | Class III  |
| External sensor                                  | NTC type, 47 k @ 25 °C (Optional, 088U1110)  |
| Type   | Electronic thermostat with touch user interface  |
| User interface                                   | Capacitive touch and shine through display   |
| Display type                                     | Hybrid: red single LED's and custom segment  |
| Display features                                 | Switches OFF after 10 sec. with no interaction   |
| Ambient temperature, storage                     | -20 – 65 °C  |
| Controller, type                                 | Adjustable Pulse Width Modulation  |
| Power consumption                                | 0.2 W  |
| Sensor, floor (optional)                         | NTC 47 kΩ, 3 m, IP 68  |
| Shell material                                   | White parts: PC ASA<br>Grey parts: PC, 10% glass   |
| ErP class  |  (2%) |
| Colour   | White RAL9010 / Dark Grey RAL7024  |

## Dimensions

Figure: Danfoss Icon2™ / 24 V RT Room Thermostat 088U2125

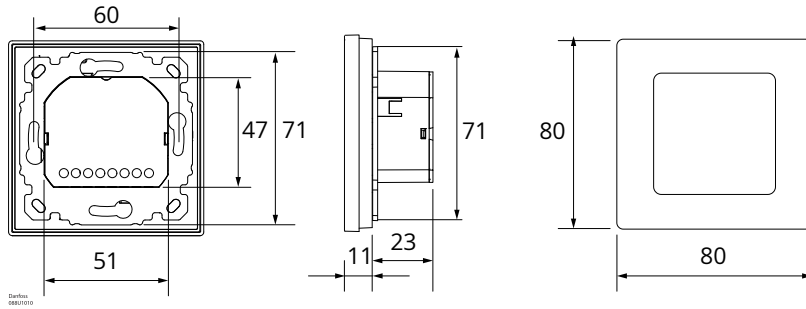


Figure: Danfoss Icon2™ / 24 V RT Room Thermostat 088U2126

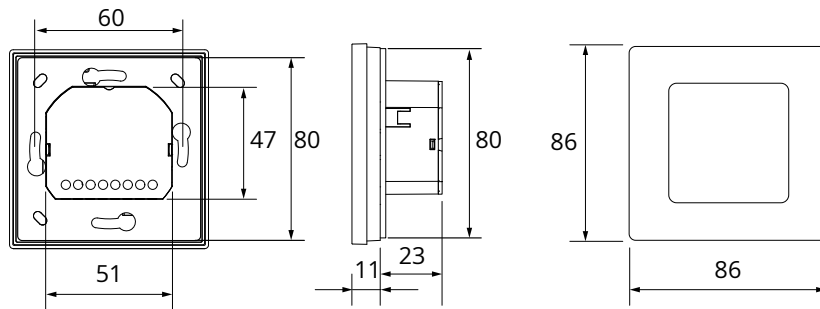


Figure: Danfoss Icon2™ / 24 V RT Room Thermostat 088U2127

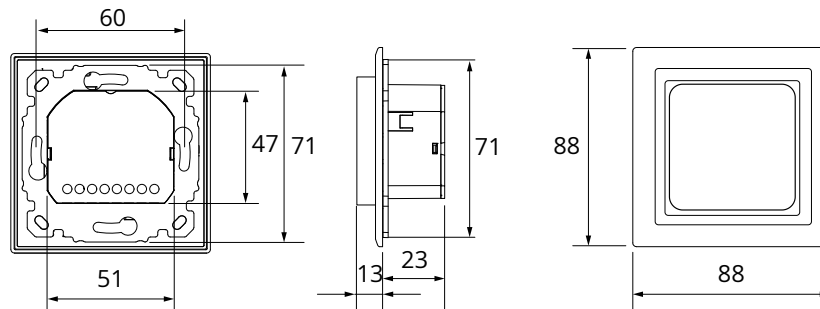
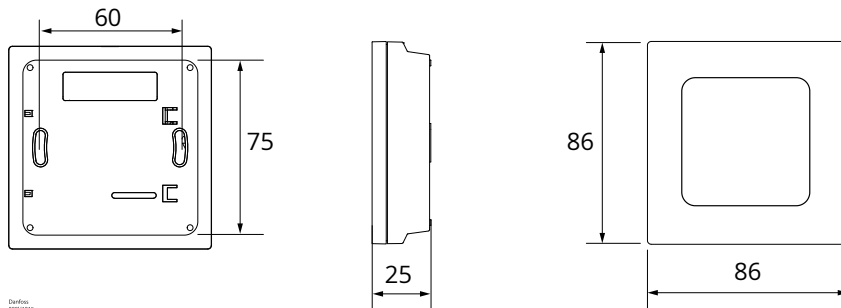


Figure: Danfoss Icon2™ / 24 V RT Room Thermostat 088U2128



All dimensions are in mm

## Certificates, declarations and approvals

The list contains all certificates, declarations, and approvals for this product type. Individual code number may have some or all of these approvals, and certain local approvals may not appear on the list.

When you click on the link you will be directed to the latest version of the 'Declaration of Conformity'. Products developed and sold before this date of issue conform to the directives/standards in force at the time of their sale.

| Approval type              | Title                                       | Certification body           | Approval topic |
|----------------------------|---|------------------------------|----------------|
| Manufacturer's Declaration | <a href="#">Danfoss MD 600000325683.02</a>  | Danfoss                      | China RoHS     |
| Export Control Declaration | <a href="#">Danfoss Icon2™ 24V RT wired</a> | Danfoss                      |                |
| EAC Declaration            | <a href="#">EAC KZ 7100841.13.12.04448</a>  | EAC - Eurasian Customs Union | EMC            |

## Contact details

### Online support

Danfoss offers a wide range of support along with our products, including digital information, software, mobile apps and expert guidance. See the possibilities below.



#### The Danfoss Design center

Discover the Design Center, our advanced digital platform that streamlines product selection. With integrated tools and enhanced type pages, it's simpler than ever to access product information and documentation, and to select the right products. Check the availability of Danfoss products at partner locations and enjoy seamless transitions from selection to purchase with our basket-to-basket functionality. Whether you're buying from our distributors or directly from the Product Store, the Design Center simplifies your experience. Learn more at: [designcenter.danfoss.com](https://designcenter.danfoss.com).



#### The Danfoss product store

The Danfoss Product Store is a one-stop shop available 24/7 for our customers, no matter where you are in the world or what area of industry you work in. Browse our catalog, check product details and documentation, view your prices and product availability, and quickly finalize your purchase. Start browsing at: [store.danfoss.com](https://store.danfoss.com).



#### Danfoss Partner Portal/Product Data tool

Designed to support you with easy access to product data extracts, essential resources, tools, and information. The Partner Portal provides a centralized hub for product documentation, training materials, marketing assets, and technical support, ensuring you have everything you need to succeed and grow your business with Danfoss. The Partner Portal is available 24/7 at: [partner.danfoss.com](https://partner.danfoss.com) and is ready to support your business.



#### Find technical documentation

Find technical documentation you need to get your project up running. Get direct access to our official collection of data sheets, certificates and declarations, manuals and guides, 3D models and drawings, case stories, brochures, and much more. Start searching now at: [documentation.danfoss.com](https://documentation.danfoss.com).



#### Danfoss Learning

Danfoss Learning is a free online learning platform. It features courses and materials specifically designed to help engineers, installers, service technicians, and wholesalers better understand the products, applications industry topics, and trends that will help you do your job better. Find your local Danfoss website here: [learning.danfoss.com](https://learning.danfoss.com).



#### Get local information and support

Local Danfoss websites are the main sources for help and information about our company and products. Find product availability, get the latest regional news, or connect with a nearby expert - all in your own language. Find your local Danfoss website here: [danfoss.com](https://danfoss.com).

#### Danfoss A/S

Climate Solutions . danfoss.com . +45 7488 2222

---

Any information, including, but not limited to information on selection of product, its application or use, product design, weight, dimensions, capacity or any other technical data in product manuals, catalogues description, advertisements, etc. and whether made available in writing, orally, electronically, online or via download, shall be considered informative, and is only binding if and to the extent, explicit reference is made in a quotation or order confirmation. Danfoss cannot accept any responsibility for possible errors in catalogues, brochures, videos and other material. Danfoss reserves the right to alter its products without notice. This also applies to products ordered but not delivered provided that such alterations can be made without changes to form, fit or function of the products. All trademarks in this material are property of Danfoss A/S or Danfoss group companies. Danfoss and the Danfoss logo are trademarks of Danfoss A/S. All rights reserved.

---