

Relief Valves

RV3-10

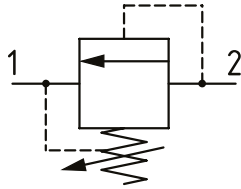
Relief Valve, Differential Area, Poppet Type

250 bar [3600 psi] • 76 l/min [20 US gpm]

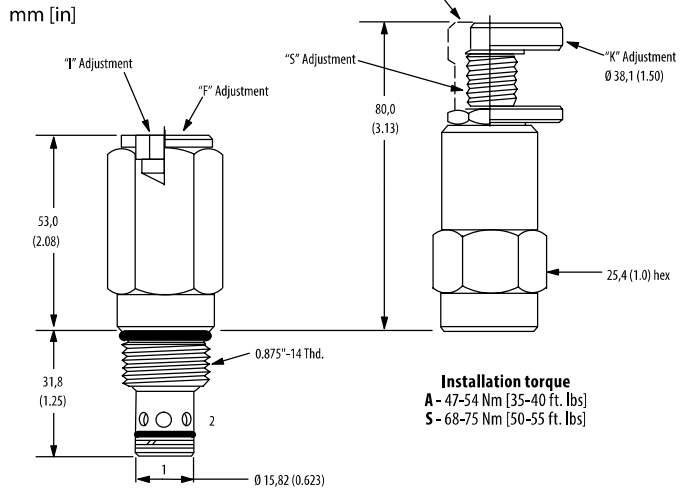


DESCRIPTION AND OPERATION

This is a fast acting, differential area, poppet type relief valve that relieves from port 2 to 1. It can be used to protect an actuator from over-pressurization or to remove pressure spikes.



DIMENSIONS



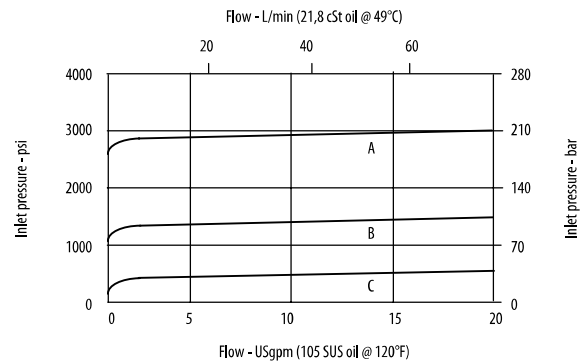
Installation torque
A - 47-54 Nm [35-40 ft. lbs]
S - 68-75 Nm [50-55 ft. lbs]

PERFORMANCE DATA

Rated pressure	250 bar [3600 psi]
Rated flow	76 l/min [20 US gpm]
Leakage	5 drops/min @ 85% of pressure setting
Weight	0.22 kg [0.48 lb]
Cavity	SDC10-2

PERFORMANCE CURVES

Pressure Override



A - 36 spring • **B** - 18 spring • **C** - 6 spring

MODEL CODE

RV3 - A - 10 - V - C - S - 2G - 3 - 10

Seal Configuration

Omit - Single back-up ring as shown
A - 1/2 thickness back-up ring on each side of o-ring (for cross port relief applications)

Seal Option

Code	Seal Kit
Omit-Buna - N	565803
V-Viton	566086

Adjustment Option

C - Tamper Resistant
F - Fixed
K - Knob
S - External
I - Internal

Housing Material

Omit - Aluminum/No housing
S - Steel

Housing

Code	Ports	Housing Model Code		
		Aluminum Standard Duty	Aluminum Heavy Duty	Steel Heavy Duty
0	No Housing			
3B	3/8" BSP	02-175462		
2G	1/4" BSP		876702	02-175102
3G	3/8" BSP		876703	02-175103
6H	#6 SAE		876700	
8H	#8 SAE		876701	
6T	#6 SAE	566151		02-175100
8T	#8 SAE			02-175101

* Aluminum bodies are to be used for pressures less than 210 bar [3000 psi].

* Additional housings available

Pressure Setting

Code x100 - Pressure setting in psi (50 psi increments within specified Pressure Range)
XXX-Standard setting (see Pressure Range for value)
 Example:

Code	Bar	Psi
10	69	[1000]
10.5	72.4	[1050]

Pressure Range

Code	Bar	Psi
3	3.45-21	[50-300]
Standard Setting	10.3	[150]
6	7-41	[100-600]
Standard Setting	21	[300]
9	14.5-62	[200-900]
Standard Setting	31	[450]
18	21-124	[300-1800]
Standard Setting	62	[900]
36	41-250	[600-3600]
Standard Setting	124	[1800]