



Hot water balancing

TVM-W

Thermostatic Mixing Valve

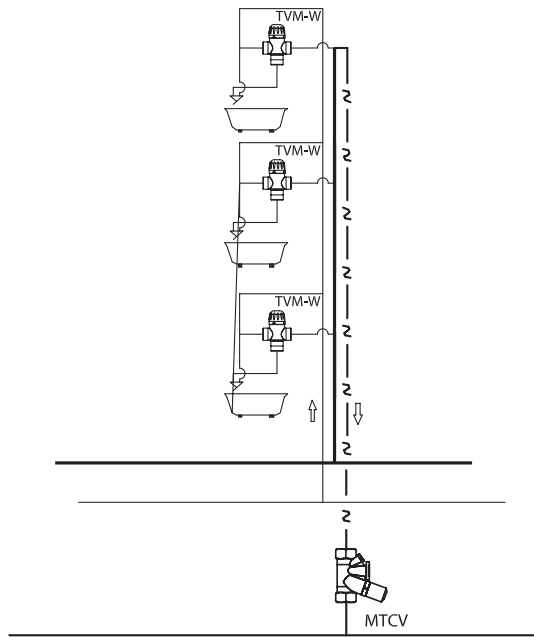
Description

The TVM-W is a self-acting mixing valve, which provides mixed water at a constant temperature. It is used for instant supply of water at a required temperature in domestic hot water applications.

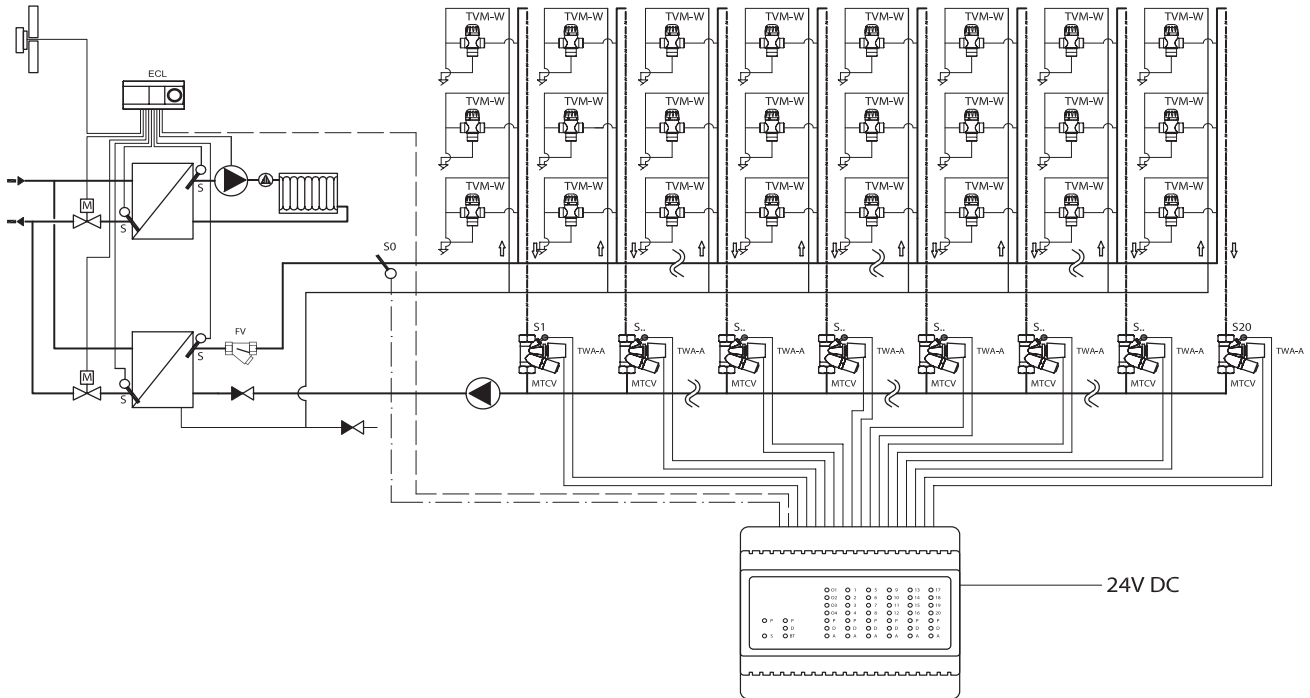
Features & benefits

- The quick reaction of the thermostatic elements ensures accurate temperature control.
- It is suitable for single outlets (e.g. baths, basins, showers and bidets) or small numbers of grouped outlets.
- Its robust and non-complex construction provides superior reliability, improved safety, energy efficiency and user comfort. If the cold supply fails, a total and fast flow shut-off results in greater safety for the enduser. Simplified design and construction, with fewer components, ensures superior reliability, longevity and safety.
- The TVM-W ensures a high level of protection from scalding, which is important especially in hospitals, schools or multi family houses (e.g. in case of legionella disinfections).
- TVM-W "Low lead brass" valves meet the new regulations enforced by the European Drinking Water Directive.

Applications



Recommended scheme of hot water installation with TVM-W



Recommended installation of hot water and circulation system.

Ordering

Product code numbers

Description	Valve size	Connection types	Temperature setting range [°C] [Min]	Temperature setting range [°C] [Max]	Kvs value with non-return valve [m ³ /h]	Code number
TVM-W DN 20, thermostatic mixing valve	DN 20	External Thread	35	70	2.10	003Z3145
TVM-W DN 25, thermostatic mixing valve	DN 25	External Thread	35	70	3.30	003Z3146

* K_{vs} value with non-return valve [m³/h]; with check valve

Spare parts code numbers



003Z3138

Non-return valve DN 25 for TVM-W

Non-return valve DN 25 for TVM-W



003Z3139

Thermostatic element for TVM-W

Thermostatic element for TVM-W



003Z3137

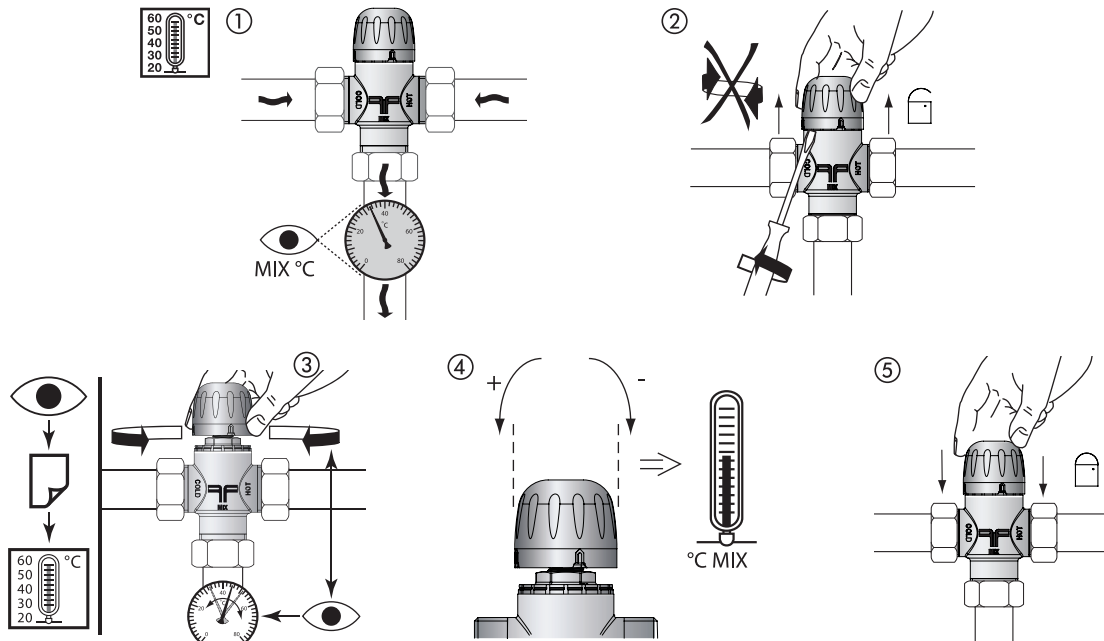
Non-return valve DN 20 for TVM-W

Non-return valve DN 20 for TVM-W

Functions

Presettings

Locking the presetting



Product details

General data

Technical Data

Factory temperature presetting	50 °C
Cold water supply temperature	10 °C
Hot water supply temperature	70 °C
Temperature stability (depend on pressure and temperature) ³⁾	± 3 °C
Max. hot water temperature	90 °C ¹⁾
Max. operating pressure	10 bar
Min. operating pressure	0.5 bar
Max. inlet pressure differential ²⁾	2 bar
Supply pressure, (dynamic)	5 bar

1) 100 °C without Non-return valve

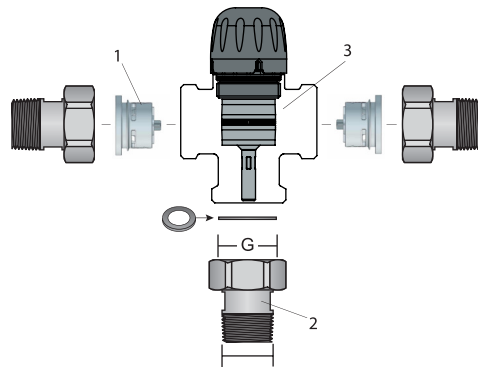
2) Between cold and warm inlets

3) Cold inlet water temperature should not be above 15°C

Design

Spare parts

1. Non-return valve
2. Fitting set
3. Thermostatic element



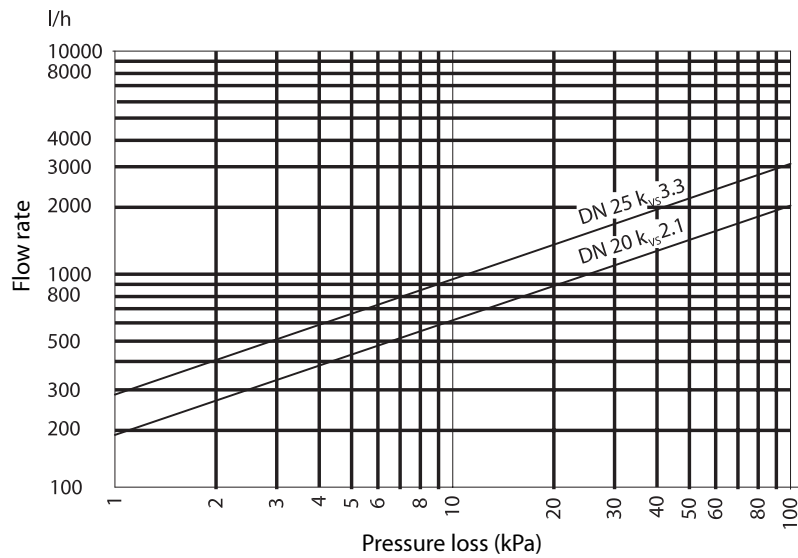
Fitting set

DN	G	
20	1	3/4
25	1 1/4	1

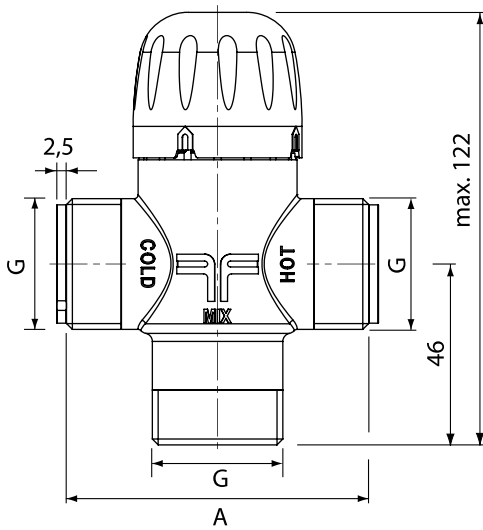
Materials

Body	CW626N (Low Lead brass) + polished surface in functional area
Plastic cap	Polystyrene
Spring	SS steel 1.4301 (inoxidable)
Sealing	EPDM

Pressure and temperature data



Dimensions



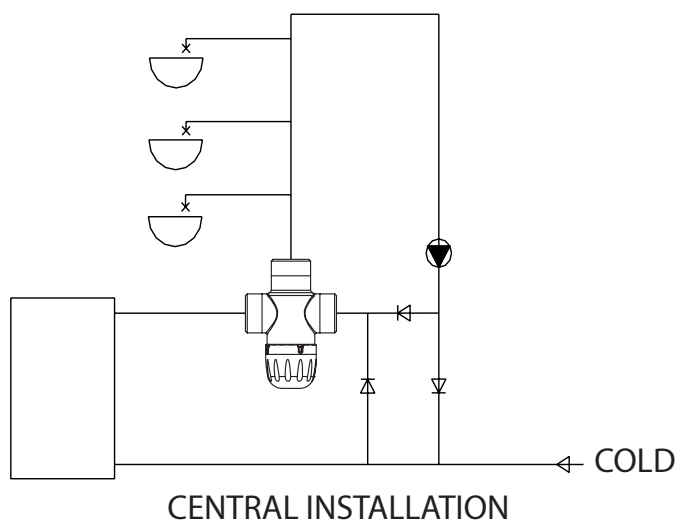
Type	DN	A mm	G "
TVM-W	20	77	1
	25	77	1 1/4

Installation

By mixing hot and cold water to achieve the desired temperature, the valve effectively provides a greater volume of hot water from the given tank size. High temperature water storage prevents the growth of legionella bacteria.

The valve can be installed in any position into the riser:

- In situations where the hot pressure may exceed the cold pressure and on pumped systems, non-return valves must be fitted to both hot and cold inlets.
- A TVM-W will provide optimum performance when installed with hot and cold supplies of equal dynamic pressure, i.e. pressure under flow conditions.
- In order to ensure the correct function of the failsafe and optimum performance it is recommended that the hot supply temperature is at least 10 °C higher than the set temperature.



Certificates, declarations and approvals

The list contains all certificates, declarations, and approvals for this product type. Individual code number may have some or all of these approvals, and certain local approvals may not appear on the list.

When you click on the link you will be directed to the latest version of the 'Declaration of Conformity'. Products developed and sold before this date of issue conform to the directives/standards in force at the time of their sale.

Approval type	Title	Certification body	Approval topic
Export Control Declaration	Butterfly, other valves, Manual balancing valves, one pipe solution valves and hot water balancing valves	Danfoss	
Manufacturer's Declaration	Danfoss MD BF206986516806en-000401.01	Danfoss	PED, Pressure, EU RoHS
Pressure Safety Certificate	LLC CDC EURO-TYSK UA.TR.089.1011.01-22	LLC CDC EURO TYSK - Ukraine	PED, Pressure

Contact details

Online support

Danfoss offers a wide range of support along with our products, including digital information, software, mobile apps and expert guidance. See the possibilities below.



The Danfoss Design center

Discover the Design Center, our advanced digital platform that streamlines product selection. With integrated tools and enhanced type pages, it's simpler than ever to access product information and documentation, and to select the right products. Check the availability of Danfoss products at partner locations and enjoy seamless transitions from selection to purchase with our basket-to-basket functionality. Whether you're buying from our distributors or directly from the Product Store, the Design Center simplifies your experience. Learn more at: designcenter.danfoss.com.



The Danfoss product store

The Danfoss Product Store is a one-stop shop available 24/7 for our customers, no matter where you are in the world or what area of industry you work in. Browse our catalog, check product details and documentation, view your prices and product availability, and quickly finalize your purchase. Start browsing at: store.danfoss.com.



Danfoss Partner Portal/Product Data tool

Designed to support you with easy access to product data extracts, essential resources, tools, and information. The Partner Portal provides a centralized hub for product documentation, training materials, marketing assets, and technical support, ensuring you have everything you need to succeed and grow your business with Danfoss. The Partner Portal is available 24/7 at: partner.danfoss.com and is ready to support your business.



Find technical documentation

Find technical documentation you need to get your project up running. Get direct access to our official collection of data sheets, certificates and declarations, manuals and guides, 3D models and drawings, case stories, brochures, and much more. Start searching now at: documentation.danfoss.com.



Danfoss Learning

Danfoss Learning is a free online learning platform. It features courses and materials specifically designed to help engineers, installers, service technicians, and wholesalers better understand the products, applications industry topics, and trends that will help you do your job better. Find your local Danfoss website here: learning.danfoss.com.



Get local information and support

Local Danfoss websites are the main sources for help and information about our company and products. Find product availability, get the latest regional news, or connect with a nearby expert - all in your own language. Find your local Danfoss website here: danfoss.com.

Danfoss A/S

Climate Solutions . danfoss.com . +45 7488 2222

Any information, including, but not limited to information on selection of product, its application or use, product design, weight, dimensions, capacity or any other technical data in product manuals, catalogues description, advertisements, etc. and whether made available in writing, orally, electronically, online or via download, shall be considered informative, and is only binding if and to the extent, explicit reference is made in a quotation or order confirmation. Danfoss cannot accept any responsibility for possible errors in catalogues, brochures, videos and other material. Danfoss reserves the right to alter its products without notice. This also applies to products ordered but not delivered provided that such alterations can be made without changes to form, fit or function of the products. All trademarks in this material are property of Danfoss A/S or Danfoss group companies. Danfoss and the Danfoss logo are trademarks of Danfoss A/S. All rights reserved.
