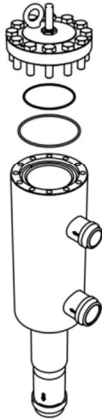


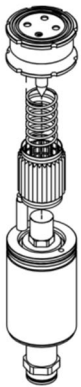
Product code numbers

Table: Housing assembly



Type	Connector type	Code number
HP 16000 / LP 8800	Butt weld, DIN (EN 10220)	032F1604
HP 8000 / LP 4400	Butt weld, DIN (EN 10220)	032F1605
HP 16000 / LP 8800	Butt weld, ANSI (ASME B 36.10M Schedule 80/40)	032F1606
HP 8000 / LP 4400	Butt weld, ANSI (ASME B 36.10M Schedule 80/40)	032F1607

Table: Cartridge assembly



Type	Capacity - Mass flow ⁽¹⁾	Capacity - Mass flow ⁽²⁾	Code no. Single pack
	[kg/h]	[lb/h]	
HP 16000	16000	35274	032F1600
HP 8000	8000	17637	032F1601
LP 8800	8800	19400	032F1602
LP 4400	4400	9700	032F1603

⁽¹⁾ R744 at 90 bar / 35 °C

⁽²⁾ R744 at 1305 psi / 95 °F

The above code numbers are without coils which should be ordered separately.

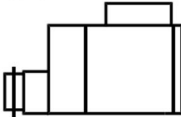
Ejector Controller



Type	Code Number
EKE 80	080G5022

Accessories code numbers

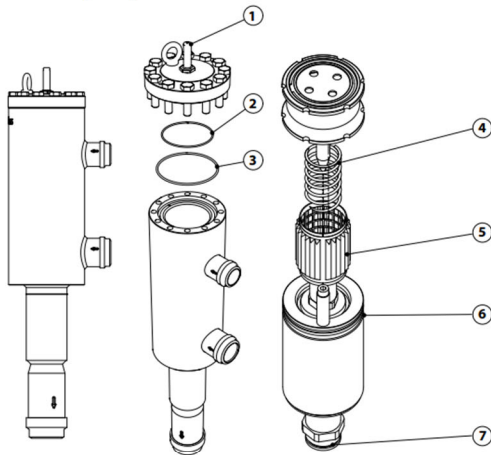
Coils



Type	T _{ambient}	Supply voltage	Voltage variation	Frequency	Power consumption	Code number
	[°C]	[V]		[Hz]	[W]	
BE230AS	-40T50	220	-15%, +10%	50	11	018F6176
		230	-15%, +10%	50	12	
BT240C	-40T50	110	-10%, +10%	50	12	018F4180
		110 - 120	-10%, +10%	60	12	
		230	-10%, +10%	50	12	
BE024CS	-40T50	24	-10%, +10%	50	13	018F6077
				60	11	

Spare parts code numbers

Table: Spare parts



Type	Parts included (see drawing)	Code number
Inspection kit	2, 3	032F1611
Repair kit	1, 2, 3	032F1612
Overhaul kit	2, 3, 4, 5, 6, 7	032F1610