

Description

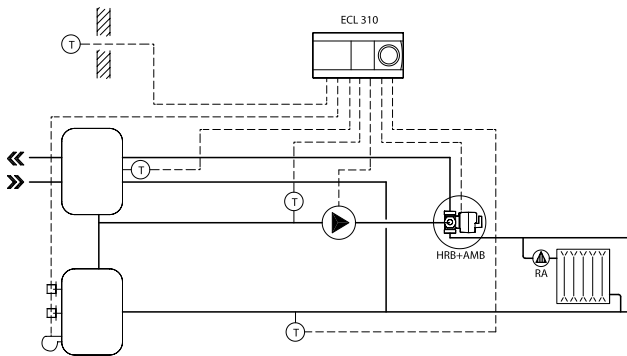
Actuators AMB are intended to control rotating mixing and diverting valves.

AMB 162 and AMB 182 actuators are used for temperature control in central heating systems together with 3-way and 4-way rotary valves of the types HRB, HRE and HFE.

Features & benefits

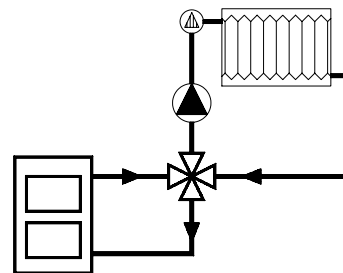
- Additional AUXILIARY switch
- Indication of actual valve position
- LED indication of turning direction
- Manual valve turning mode enabled by a permanent clutch
- No damage in case of valve blocking
- Silent and reliable operation
- Maintenance free
- Selectable speed on DIP switch (modulating actuator only)
- LED indication of activated AUXILIARY switch (2&3-point controlled actuators only)

Applications



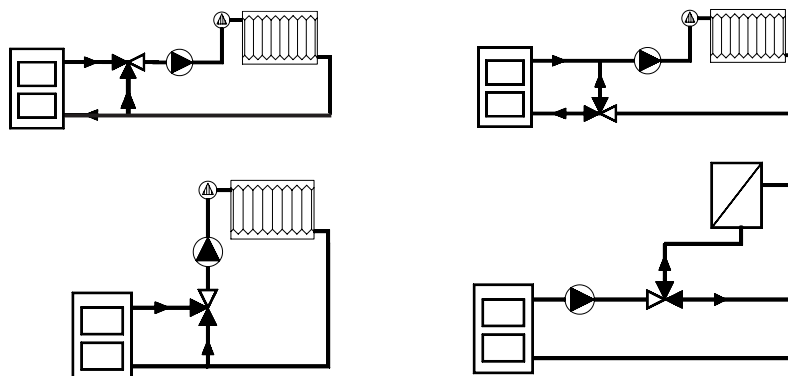
Boiler system with ECL electronic controller and HRB rotary valve.

HRB 4



The reverse function is obtained by turning the actuator's direction of rotation and the valve's sign.

HRB 3



The reverse function is obtained by turning the actuator's direction of rotation and the valve's sign.

Ordering

Product code numbers

Description	Operating torque [Nm]	Control signal type	Actuator speed [s/°]	Supply voltage [V]	Auxiliary switch	Code number
AMB 162 5Nm 2-point 15s 24V	5	2-point	15	24 V AC	No	082H0270
AMB 162 5Nm 2-point 15s 24V AS	5	2-point	15	24 V AC	Yes	082H0272
AMB 162 5Nm 2-point 15s 230V	5	2-point	15	230 V AC	No	082H0271
AMB 162 5Nm 2-point 15s 230V AS	5	2-point	15	230 V AC	Yes	082H0273
AMB 162 5Nm 3p 15s 24V	5	3-point	15	24 V AC	No	082H0210
AMB 162 5Nm 3p 15s 24V AS	5	3-point	15	24 V AC	Yes	082H0215
AMB 162 5Nm 3p 15s 230V	5	3-point	15	230 V AC	No	082H0220
AMB 162 5Nm 3p 15s 230V AS	5	3-point	15	230 V AC	Yes	082H0225
AMB 162 5Nm 3p 30s 24V	5	3-point	30	24 V AC	No	082H0211
AMB 162 5Nm 3p 30s 24V AS	5	3-point	30	24 V AC	Yes	082H0216
AMB 162 5Nm 3p 30s 230V	5	3-point	30	230 V AC	No	082H0221
AMB 162 5Nm 3p 30s 230V AS	5	3-point	30	230 V AC	Yes	082H0226
AMB 162 5Nm 3p 60s 24V	5	3-point	60	24 V AC	No	082H0212
AMB 162 5Nm 3p 60s 24V AS	5	3-point	60	24 V AC	Yes	082H0217
AMB 162 5Nm 3p 60s 230V	5	3-point	60	230 V AC	No	082H0222
AMB 162 5Nm 3p 60s 230V AS	5	3-point	60	230 V AC	Yes	082H0227
AMB 162 5Nm 3p 120s 24V	5	3-point	120	24 V AC	No	082H0213
AMB 162 5Nm 3p 120s 24V AS	5	3-point	120	24 V AC	Yes	082H0218
AMB 162 5Nm 3p 120s 230V	5	3-point	120	230 V AC	No	082H0223
AMB 162 5Nm 3p 120s 230V AS	5	3-point	120	230 V AC	Yes	082H0228
AMB 162 5Nm 3p 480s 24V	5	3-point	480	24 V AC	No	082H0214
AMB 162 5Nm 3p 480s 24V AS	5	3-point	480	24 V AC	Yes	082H0219
AMB 162 5Nm 3p 480s 230V	5	3-point	480	230 V AC	No	082H0224
AMB 162 5Nm 3p 480s 230V AS	5	3-point	480	230 V AC	Yes	082H0229
AMB 162 5Nm mod 60s 24V	5	Modulating	90	24 V AC/DC	No	082H0230
AMB 162 5Nm mod 60s 24V I-pack	5	Modulating	60	24 V AC/DC	No	082H0260
AMB 182 10Nm 3p 60s 24V	10	3-point	60	24 V AC	No	082H0231
AMB 182 10Nm 3p 60s 230V	10	3-point	60	230 V AC	No	082H0232
AMB 182 14Nm mod 60s 24V	15	Modulating	60	24 V AC/DC	No	082H0241
AMB 182 14Nm mod 60s 24V I-pack	15	Modulating	90	24 V AC/DC	No	082H0261
AMB 182 15Nm 2-point 60s 24V	15	2-point	60	24 V AC	No	082H0274
AMB 182 15Nm 2-point 60s 24V AS	15	2-point	60	24 V AC	Yes	082H0276
AMB 182 15Nm 2-point 60s 230V	15	2-point	60	230 V AC	No	082H0275
AMB 182 15Nm 2-point 60s 230V AS	15	2-point	60	230 V AC	Yes	082H0277
AMB 182 15Nm 3p 60s 24V	15	3-point	60	24 V AC	No	082H0233
AMB 182 15Nm 3p 60s 24V AS	15	3-point	60	24 V AC	Yes	082H0235
AMB 182 15Nm 3p 60s 230V	15	3-point	60	230 V AC	No	082H0237
AMB 182 15Nm 3p 60s 230V AS	15	3-point	60	230 V AC	Yes	082H0239
AMB 182 15Nm 3p 240s 24V	15	3-point	240	24 V AC	No	082H0234
AMB 182 15Nm 3p 240s 24V AS	15	3-point	240	24 V AC	Yes	082H0236
AMB 182 15Nm 3p 240s 230V	15	3-point	240	230 V AC	No	082H0238
AMB 182 15Nm 3p 240s 230V AS	15	3-point	240	230 V AC	Yes	082H0240

Accessories code numbers



082H0250

AMB Linkage kit multi type

AMB Linkage kit multi type



082H0254

AMB Linkage kit for ESBE VRG, Danfoss RV

AMB Linkage kit for ESBE VRG, Danfoss RV



082H0255

AMB Linkage kit for Danfoss HRB,HRE,HFE

AMB Linkage kit for Danfoss HRB,HRE,HFE



082H0252

AMB Linkage kit for Wita, Meibes

AMB Linkage kit for Wita, Meibes



082H0251

AMB Linkage kit for Centra

AMB Linkage kit for Centra



082H0253

AMB Linkage kit for Honeywell

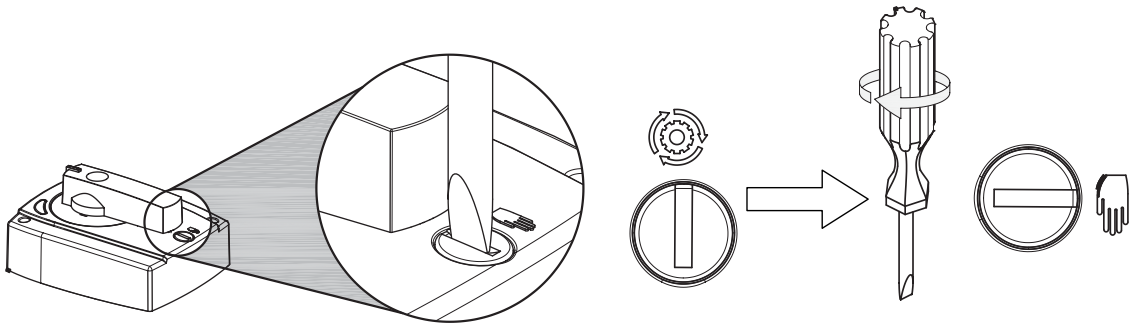
AMB Linkage kit for Honeywell

Functions

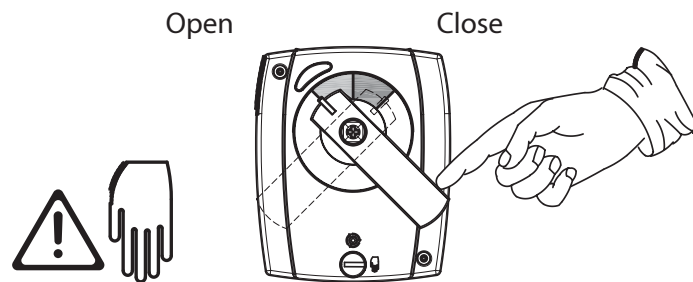
Operation

Manual override

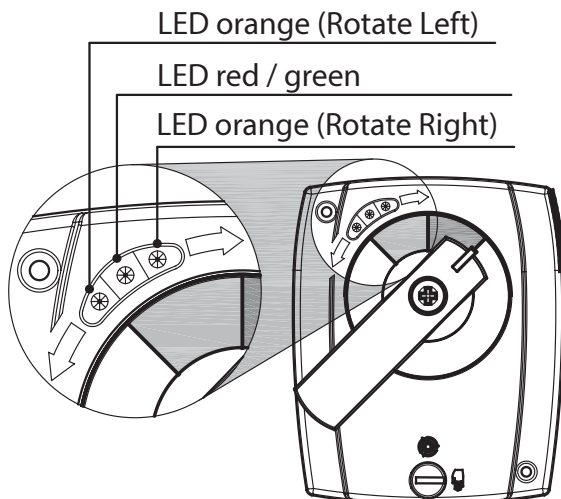
1



2



LED signalling



AMB 162/182

LED color	2-point	3-point	Modulating
orange	Rotation Left / Right		
green	-	-	Status OK
red	AUX switch activation	AUX switch activation	-

Settings

DIP switch setting

(modulating actuators only)

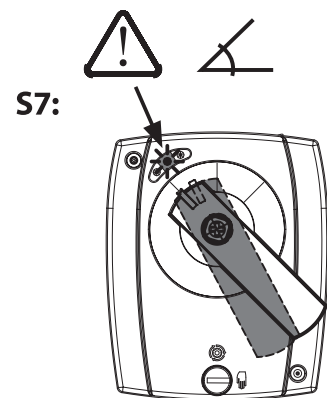
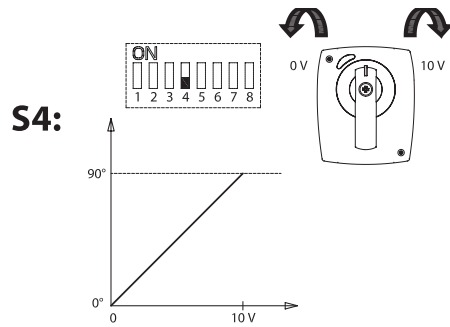
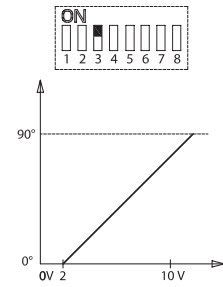
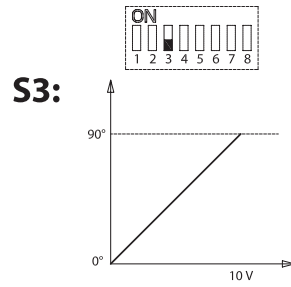
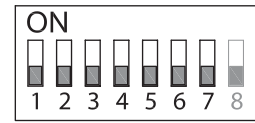
S1	S2	SIG.
0	0	U
1	1	I

S3	U/I
0	0-10 V/0-20 mA
1	2-10 V/4-20 mA

S4	
0	
1	

S5	S6	
0	0	60 s
0	1	90 s
1	0	120 s
1	1	120 s

S7	Valve blockage
0	-
1	



Product details

General data

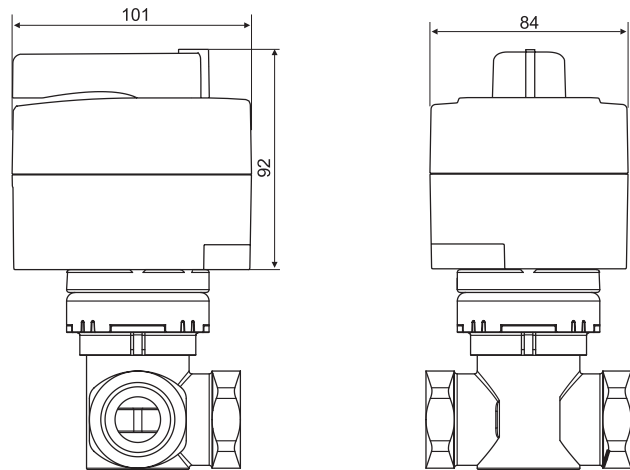
Technical data

Power supply	2-point	V	24 AC or 230 AC; $\pm 10\%$
	3-point		
	modulating		
Power consumption		VA	AMB 162: 2.5
			AMB 182: 3.5
Frequency		Hz	50/60
Running speed	2-point	sec/90°	15/60
	3-point		15/30/60/120/240/480
	modulating		60/90/120*
Control input		2&3-point modulating (0(2)-10 V and 0(4)-20 mA)	
Operating torque		Nm	5, 10 or 15
Rotation angle		90°	
Auxiliary switch		adjustable 0-90° (only 2 and 3 point actuators)	
Max. medium temperature		°C	110
Ambient temperature		0 ... 50	
Storage and transport temperature		-10 ... 80	
Protection Class	24 V	III according to EN 60730-1	
	230 V	II according to EN 60730-1	
Grade of enclosure		IP42 according to EN 60529	
Wire length		m	2
Weight		g	300
Color / material		dark grey/PC	

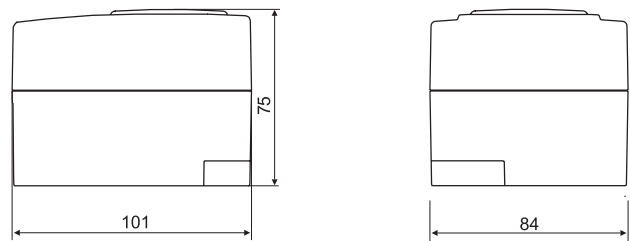
*selectable on DIP switch

Dimensions

with handle

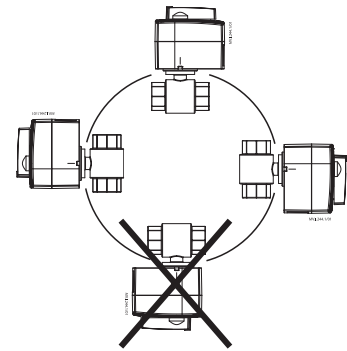


without handle



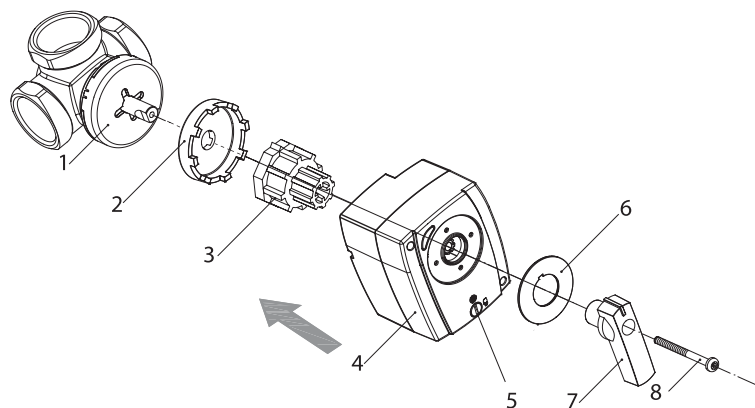
Installation

The actuator can be mounted directly to the rotary valve. Rotating angle is limited to 90° and when the actuator reaches the limit, the voltage supply to the actuator is disconnected.



Installation procedure

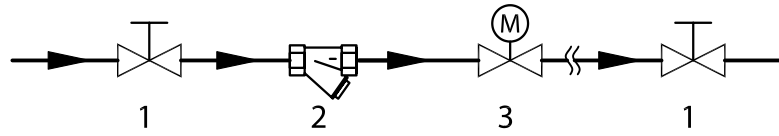
1. Rotary valve
2. Anti-rotation spacer
3. Valve adapter
4. Actuator
5. Manual operating clutch
6. Position indicator
7. Handle
8. Fixing screw



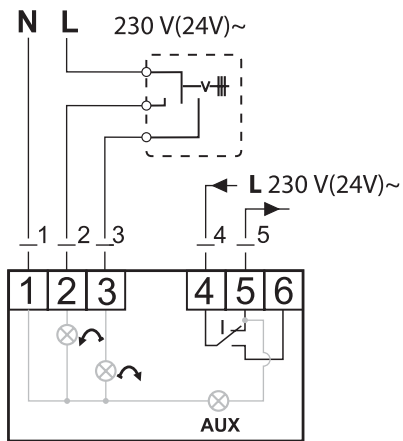
Hydraulic installation

Recommended installation of the electric actuated valve

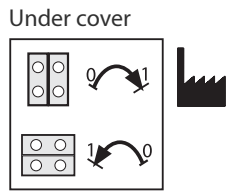
1. Ball valve
2. Strainer
3. AMB



Wiring

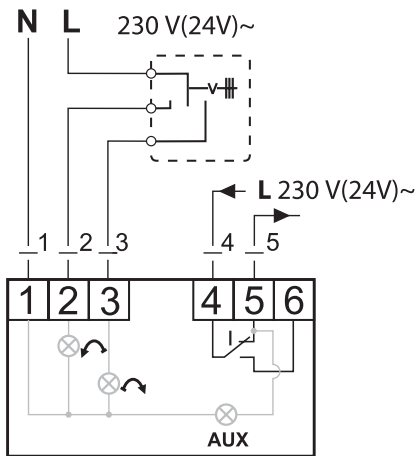


2-point/2-point+switch

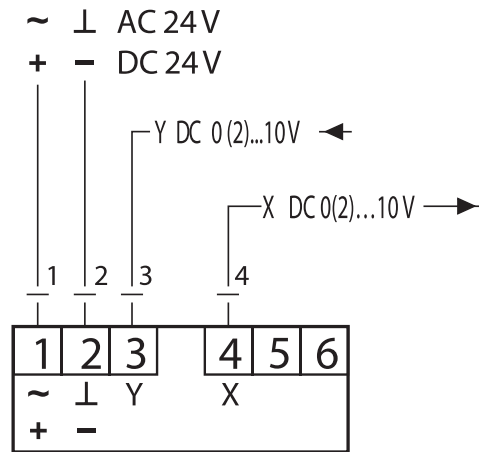


Direct/Inverse function

Jumper	Wiring	Rotation
DIR	L = 2	Left
	L = 2 & 3	Right
INV	L = 2	Right
	L = 2 & 3	Left

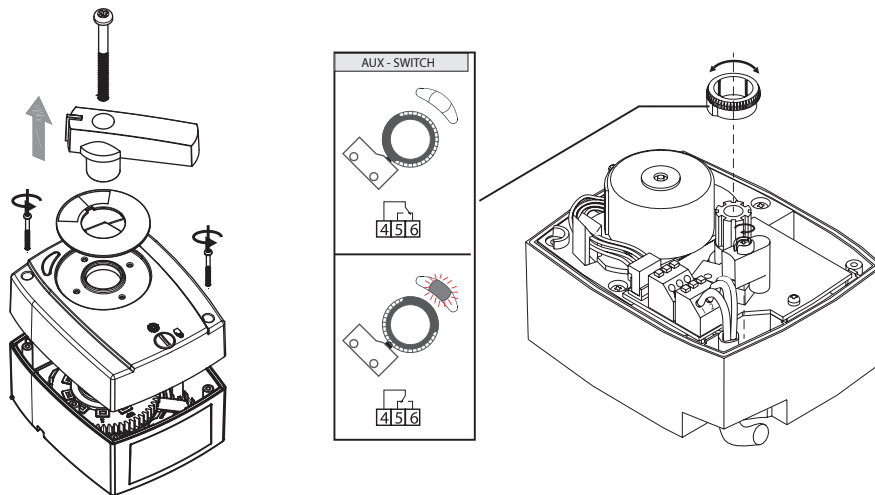


3-point/3-point+switch



Modulating

2/3-point + switch



Certificates, declarations and approvals

The list contains all certificates, declarations, and approvals for this product type. Individual code number may have some or all of these approvals, and certain local approvals may not appear on the list.

When you click on the link you will be directed to the latest version of the 'Declaration of Conformity'. Products developed and sold before this date of issue conform to the directives/standards in force at the time of their sale.

Approval type	Title	Certification body	Approval topic
UA Declaration	UA Actuators 2024-06-27	Danfoss	EMC, LVD
Export Control Declaration	Gear and Thermal actuators	Danfoss	
EU Declaration	Danfoss EU 220621EN0802102.01	Danfoss	LVD, EU RoHS

Contact details

Online support

Danfoss offers a wide range of support along with our products, including digital information, software, mobile apps and expert guidance. See the possibilities below.



The Danfoss Design center

Discover the Design Center, our advanced digital platform that streamlines product selection. With integrated tools and enhanced type pages, it's simpler than ever to access product information and documentation, and to select the right products. Check the availability of Danfoss products at partner locations and enjoy seamless transitions from selection to purchase with our basket-to-basket functionality. Whether you're buying from our distributors or directly from the Product Store, the Design Center simplifies your experience. Learn more at: designcenter.danfoss.com.



The Danfoss product store

The Danfoss Product Store is a one-stop shop available 24/7 for our customers, no matter where you are in the world or what area of industry you work in. Browse our catalog, check product details and documentation, view your prices and product availability, and quickly finalize your purchase. Start browsing at: store.danfoss.com.



Danfoss Partner Portal/Product Data tool

Designed to support you with easy access to product data extracts, essential resources, tools, and information. The Partner Portal provides a centralized hub for product documentation, training materials, marketing assets, and technical support, ensuring you have everything you need to succeed and grow your business with Danfoss. The Partner Portal is available 24/7 at: partner.danfoss.com and is ready to support your business.



Find technical documentation

Find technical documentation you need to get your project up running. Get direct access to our official collection of data sheets, certificates and declarations, manuals and guides, 3D models and drawings, case stories, brochures, and much more. Start searching now at: documentation.danfoss.com.



Danfoss Learning

Danfoss Learning is a free online learning platform. It features courses and materials specifically designed to help engineers, installers, service technicians, and wholesalers better understand the products, applications industry topics, and trends that will help you do your job better. Find your local Danfoss website here: learning.danfoss.com.



Get local information and support

Local Danfoss websites are the main sources for help and information about our company and products. Find product availability, get the latest regional news, or connect with a nearby expert - all in your own language. Find your local Danfoss website here: danfoss.com.

Danfoss A/S

Climate Solutions . danfoss.com . +45 7488 2222

Any information, including, but not limited to information on selection of product, its application or use, product design, weight, dimensions, capacity or any other technical data in product manuals, catalogues description, advertisements, etc. and whether made available in writing, orally, electronically, online or via download, shall be considered informative, and is only binding if and to the extent, explicit reference is made in a quotation or order confirmation. Danfoss cannot accept any responsibility for possible errors in catalogues, brochures, videos and other material. Danfoss reserves the right to alter its products without notice. This also applies to products ordered but not delivered provided that such alterations can be made without changes to form, fit or function of the products. All trademarks in this material are property of Danfoss A/S or Danfoss group companies. Danfoss and the Danfoss logo are trademarks of Danfoss A/S. All rights reserved.
