



Thermal actuators

Actuator ABNM A5 LOG for
AB-QM, 0-10 V Proportional

Description

The ABNM A5 0-10V thermal actuator has been specifically designed for use with AB-QM valves DN10-32/½-1¼ inch in heating and cooling applications.

Control is done by a 0-10 V signal, which is provided either by a 3rd party room thermostat, in most cases, by a central direct digital control (DDC) system. The actuator converts the 0-10 V signal into a proportional actuator travel, which can be either linear (ABNM A5 LIN) or logarithmic/equal percentage (ABNM A5 LOG).

For fan coil unit or chilled ceiling application choice of logarithmic version is recommended (water to air heat exchanger). The result will be linear system response and thus optimal room temperature control.

Features & benefits

- Detection of AB-QM opening and closing point
- Available as normally closed (NC)
- Power consumption 1 W
- Plug-in cable
- Simple snap-on installation
- IP54 in any installation position
- First-Open function
- Compact size, small dimensions
- All round function indicator
- Noiseless and maintenance-free

Ordering

Product code numbers

Type	Supply voltage [V]	Stroke [mm]	De-energized position	Control characteristic	Code number
ABNM A5 0-10V	24 V AC	5.00	Normally closed	LOG	082F1160
ABNM A5 0-10V	24 V AC	5.00	Normally closed	LIN	082F1161
ABNM A5 0-10V	24 V AC	6.50	Normally closed	LOG	082F1162
ABNM A5 0-10V	24 V AC	6.50	Normally open	LOG	082F1163
ABNM A5 0-10V	24 V AC	6.50	Normally closed	LIN	082F1164
ABNM A5 0-10V	24 V AC	6.50	Normally open	LIN	082F1165
ABNM A5 0-10V	24 V DC	6.50	Normally closed	LOG	082F1166
ABNM A5 0-10V	24 V DC	6.50	Normally open	LOG	082F1167

Accessories code numbers



082F1071

ABNM adapter for RA 2000 (VA78)

ABNM adapter for RA 2000 (VA78)

Functions

The actuator mechanism of the ABNM actuator uses a positive temperature coefficient (PTC) resistor heated wax element and a compression spring.

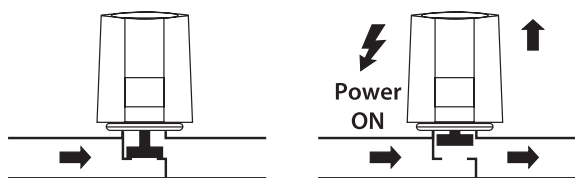
The wax element is heated by applying the operating voltage and moves the integrated piston. The force generated by this movement is transferred to valve spindle and thus opening or closing the valve. The actuator provides active regulation in a defined range (see characteristic curve between 0.5 V and 9.5 V). The function display (all-round display) of the ABNM shows at the first glance whether the valve is “open” or “closed”.

First open function (for NC versions only)

In its delivery condition ABNM is partly open due to the first open function (filling). This enables heating/cooling operation during the carcass construction phase even when the electric wiring is not yet complete. During the later electrical start-up, the first open function is unlocked by applying the power supply for more than 6 minutes.

Version NC “normally closed”

In case of the normally closed version, valve is closed when de-energized. Valve is opened steadily upon switching on the power supply, setting control signal to 10 V and after expiry of the dead time.



Function display for NC versions extends proportionally with actuator opening from 0 mm to 5-6 mm.

Automatic initial calibration

Automatic initial calibration is done only at the first power on of the actuator (new actuator). Power supply needs to be applied for 30 min. (± 10 min.) in order to finalize calibration phase, which includes valve opening and closing point detection. This ensures an optimum match with the AB-QM valve used at any preset between 20% and 100%. Active control range is thus between 0.5 V and 9.5 V what ensures precise flow and temperature control. Automatic initial calibration stores calibration parameters directly in actuator non-volatile memory. Information remains in actuator memory also if actuator power supply is disconnected.

Manual re-calibration

In case you change valve type or valve preset after initial calibration is finished, apply 0 V control voltage for 15 min. for closing point detection and 10 V control voltage for 15 min. for new opening point detection. Please note actuator stores this information in non-volatile memory 24 hours after re-calibration. If power is lost within 24 hours after re-calibration, then this information is lost, and you need to repeat the re-calibration procedure.

Automatic re-calibration

In case you change valve type or valve preset after initial calibration is finished and exact timing of re-calibration is not important, manual re-calibration procedure can be avoided. Controller will during normal course of operation sooner or later give control signal 0 V and 10 V. Actuator will automatically detect new closing point when control signal is 0 V for 15 min. and new opening point when control signal is 10 V for 15 min. We cannot guarantee duration of this procedure, as it depends from control signal from controller.

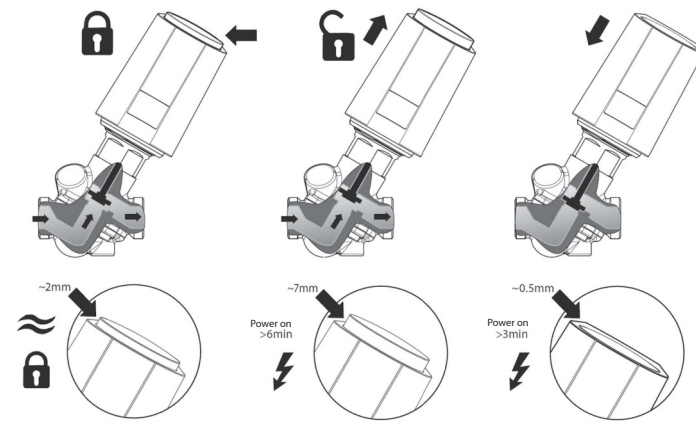
Operation after power-off

After power off (in case actuator was not removed from the valve) actuator will undergo normal operation within:

- 1 min. if power off was <10 s
- 15 min. if power off was >10 s

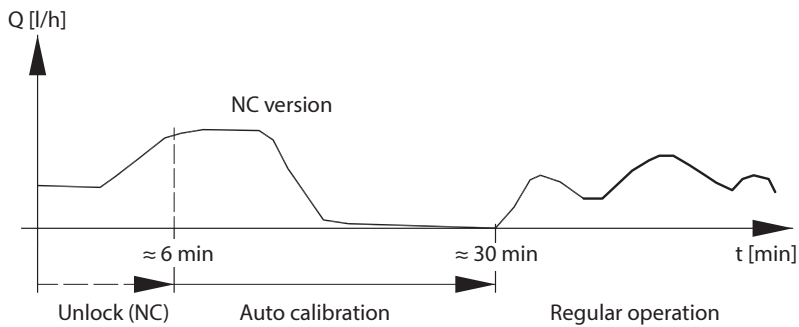
If power is lost within 24 hours after re-calibration, then you need to repeat re-calibration procedure.

First Open Function



Presentation of First Open Function (Unlock NC version).

Operation Calibration



Detection of open / close point

Automatic initial calibration procedure to actual preset AB-QM stroke (detection of opening and closing point). ABNM A5 actuator needs ~30 min. for first calibration (including First Open Function and valve open and close point detection). In case of power loss the actuator will remember its position and will not need recalibration. If valve preset is changed after first calibration is finished, actuator will automatically detect new open and close point during normal operation.

In order to accelerate this process cycle voltage to 0 V for 60 min. and 10 V for 60 min. In case of power loss within 8 hours after calibration the actuator will lose its calibration parameters and initialize a new calibration when restarted. In case of power loss after 8 hours after re-calibration the actuator will remember its position and will not need recalibration.

Product details

General data

Technical Data

Type	ABNM A5 5 mm version AC
Versions	NC, LOG
Voltage	24 V AC 50/60 Hz (-10% to +20%)
Max. inrush current	< 300 mA for max. 2 min.
Operating power	1 W ¹⁾
Control voltage	0-10 V DC
Input resistance	100 kΩ
Actuator travel	5 mm (- 0.5 mm overclosing)
Actuating force	100 N ± 5%
Closing (NC) or opening (NO) time when de-energized	3-5 min.
Speed	30 s/mm ²⁾
Calibration time (including First Open for NC)	30 ± 10 min. ²⁾
Delay when energized (heat up time)	2-3 min.
Fluid temperature	0-100 °C ²⁾
Storage temperature	-25 to 65 °C
Ambient temperature	0 to 60 °C
Degree/class of protection	IP54 ³⁾ /III safety extra-low voltage
Connecting cable (not included)	3 x 0.22 mm ² halogen free
Adapter (included)	VA 41
Overvoltage resistance EN60730-1	min. 1 kV
Weight	111 g
Housing material	Polymid / white

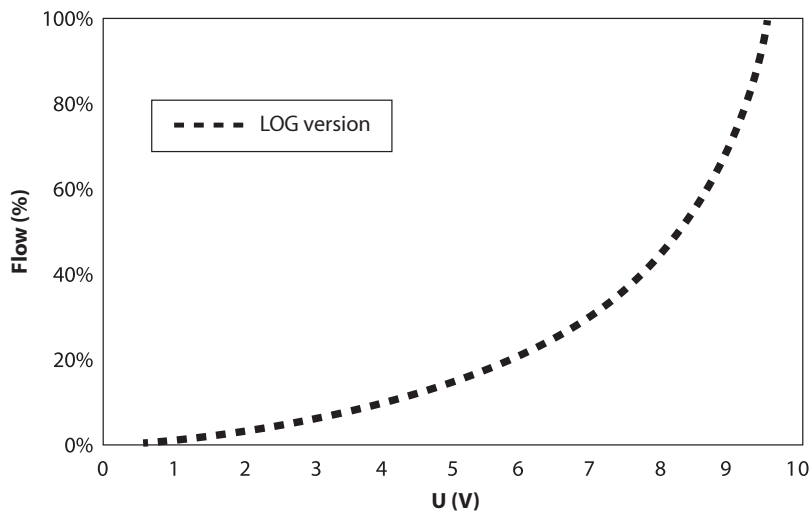
¹⁾ Measured with precision power meter LMG95.

²⁾ Measured at ambient temperature 20°C. Due to thermal working principle of actuator some parameters vary with ambient temperature. At higher ambient temperatures actuator opening is faster and closing slower. At lower ambient temperatures actuator closing will be faster and opening slower.

³⁾ In all installation positions with cable plugged in.

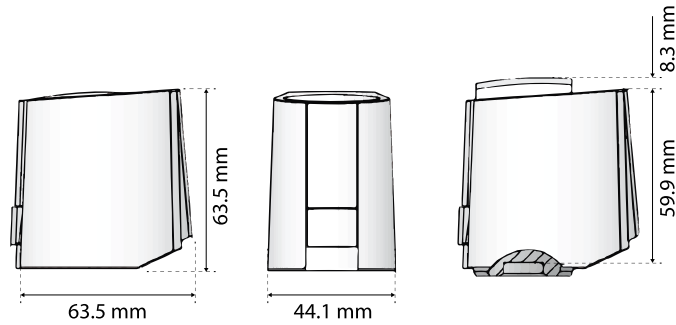
Capacity

Characteristic Curves



Control characteristics of LOG version.

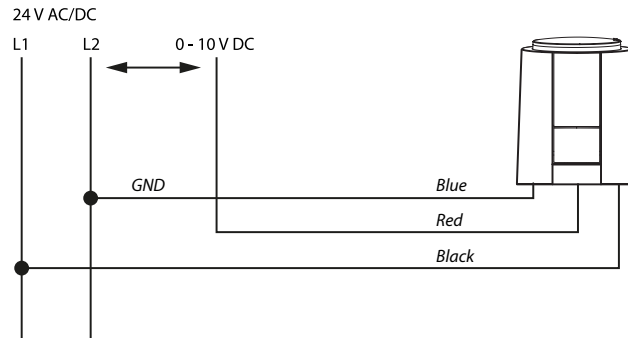
Dimensions



Dimension: 5 mm versions.

Connections

Electrical Connections



Transformer

Rule-of-the-thumb formula for dimensioning transformer:

$$P_{\text{transformer}} = 6 \text{ W} \times \text{number of ABNM actuators}$$

Calculation of max. cable length (copper cable):

$$L = K \times A / n$$

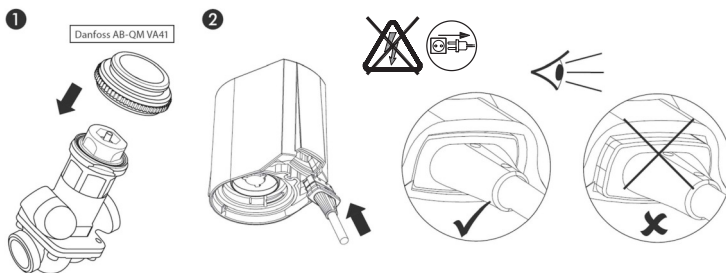
A: Conductor cross-section in mm²

n: Number of ABNM actuators

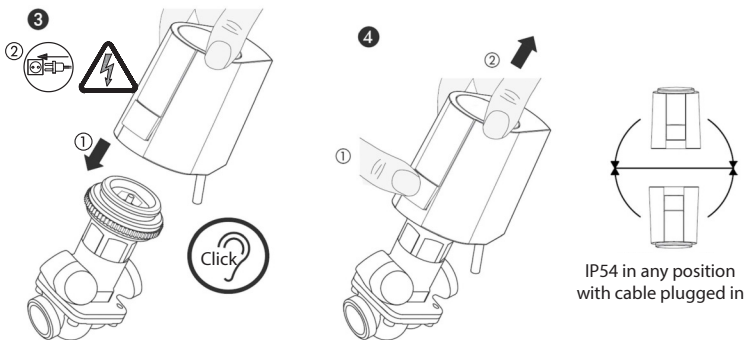
K: Constant for copper (269 m/mm²)

L: Cable length in m

Installation



Screw the valve adapter manually onto the valve and connect cable and actuator.



Place the actuator vertically on the valve adapter. The actuator snaps onto the valve adapter with a “click” when pressed down vertically by hand.

Certificates, declarations and approvals

The list contains all certificates, declarations, and approvals for this product type. Individual code number may have some or all of these approvals, and certain local approvals may not appear on the list.

When you click on the link you will be directed to the latest version of the 'Declaration of Conformity'. Products developed and sold before this date of issue conform to the directives/standards in force at the time of their sale.

Approval type	Title	Certification body	Approval topic
EU Declaration	Danfoss EU BF343634241375en-000301.02	Danfoss	EMC, MD, EU RoHS
EAC Declaration	EAC KZ 7100841.13.12.01046	EAC - Eurasian Customs Union	EMC
Export Control Declaration	Gear and Thermal actuators	Danfoss	

Contact details

Online support

Danfoss offers a wide range of support along with our products, including digital information, software, mobile apps and expert guidance. See the possibilities below.



The Danfoss Design center

Discover the Design Center, our advanced digital platform that streamlines product selection. With integrated tools and enhanced type pages, it's simpler than ever to access product information and documentation, and to select the right products. Check the availability of Danfoss products at partner locations and enjoy seamless transitions from selection to purchase with our basket-to-basket functionality. Whether you're buying from our distributors or directly from the Product Store, the Design Center simplifies your experience. Learn more at: designcenter.danfoss.com.



The Danfoss product store

The Danfoss Product Store is a one-stop shop available 24/7 for our customers, no matter where you are in the world or what area of industry you work in. Browse our catalog, check product details and documentation, view your prices and product availability, and quickly finalize your purchase. Start browsing at: store.danfoss.com.



Danfoss Partner Portal/Product Data tool

Designed to support you with easy access to product data extracts, essential resources, tools, and information. The Partner Portal provides a centralized hub for product documentation, training materials, marketing assets, and technical support, ensuring you have everything you need to succeed and grow your business with Danfoss. The Partner Portal is available 24/7 at: partner.danfoss.com and is ready to support your business.



Find technical documentation

Find technical documentation you need to get your project up running. Get direct access to our official collection of data sheets, certificates and declarations, manuals and guides, 3D models and drawings, case stories, brochures, and much more. Start searching now at: documentation.danfoss.com.



Danfoss Learning

Danfoss Learning is a free online learning platform. It features courses and materials specifically designed to help engineers, installers, service technicians, and wholesalers better understand the products, applications industry topics, and trends that will help you do your job better. Find your local Danfoss website here: learning.danfoss.com.



Get local information and support

Local Danfoss websites are the main sources for help and information about our company and products. Find product availability, get the latest regional news, or connect with a nearby expert - all in your own language. Find your local Danfoss website here: danfoss.com.

Danfoss A/S

Climate Solutions . danfoss.com . +45 7488 2222

Any information, including, but not limited to information on selection of product, its application or use, product design, weight, dimensions, capacity or any other technical data in product manuals, catalogues description, advertisements, etc. and whether made available in writing, orally, electronically, online or via download, shall be considered informative, and is only binding if and to the extent, explicit reference is made in a quotation or order confirmation. Danfoss cannot accept any responsibility for possible errors in catalogues, brochures, videos and other material. Danfoss reserves the right to alter its products without notice. This also applies to products ordered but not delivered provided that such alterations can be made without changes to form, fit or function of the products. All trademarks in this material are property of Danfoss A/S or Danfoss group companies. Danfoss and the Danfoss logo are trademarks of Danfoss A/S. All rights reserved.
