

Relief Valves

RV8-12

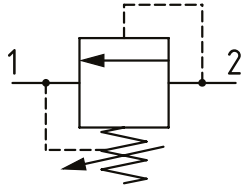


Relief Valve, Differential Area, Poppet Type
350 bar [5000 psi] • 132 l/min [35 US gpm]

DESCRIPTION AND OPERATION

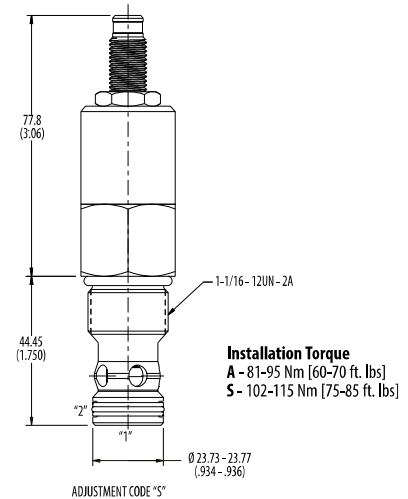
This is a fast acting, differential area, poppet type relief valve that relieves from port 2 to 1. It can be used to protect an actuator from over-pressurization or to remove pressure spikes.

SCHEMATIC



DIMENSIONS

mm [in]

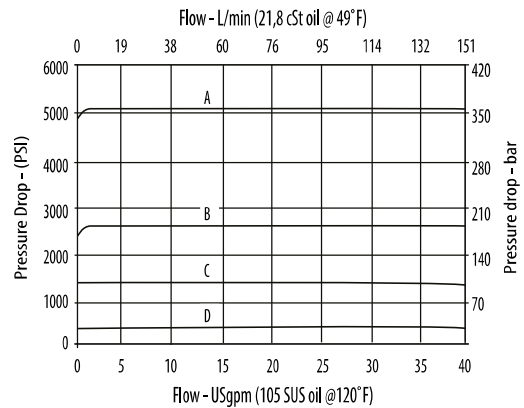


PERFORMANCE DATA

Rated pressure	350 bar [5000 psi]
Rated flow	132 l/min [35 US gpm]
Leakage	5 drops/min @ 85% of pressure setting
Weight	0.43 kg [0.94 lb]
Cavity	C-12-2/ C-12-2U

PERFORMANCE CURVES

Pressure Override



A - 50 spring • B - 25 spring • C - 12 spring • D - 4 spring

MODEL CODE

RV8 - 12 - V - C - S - 4G - U - 4 - 10

Seal Option

Code	Seal Kit
Omit-Buna - N	02-165889
V-Viton	02-165888

Adjustment Option

C - Tamper Resistant
K - Knob
S - External

Housing Material

Omit - No Housing
 A - Aluminum
 S - Steel
Housing

Code	Ports	Housing Model Code			
		C-12-2 Aluminum Heavy Duty	C-12-2U Aluminum Heavy Duty	C-12-2 Steel Heavy Duty	C-12-2U Steel Heavy Duty
Omit	No Housing				
4G	1/2" BSP	02-161118	02-161116	02-172062	02-172512
6G	3/4" BSP	02-161117	02-161115	02-169665	02-162922
10H	#10 SAE	02-160640	02-160641		
12H	#12 SAE	02-160644	02-160645		
10T	#10 SAE			02-169744	02-169817
12T	#12 SAE			02-169782	02-169790

* Aluminum bodies are to be used for pressures less than 210 bar [3000 psi]. * Additional housings available

Pressure Setting

Code x100 - Pressure setting in psi (50 psi increments within specified Pressure Range)

XXX-Standard setting (see Pressure Range for value)

Example:

Code	Bar	Psi
10	69	[1000]
10.5	72.4	[1050]

Pressure Range

Code	Bar	Psi
4	3.4-35	[50-500]
Standard Setting	172	[250]
12	13-85	[200-1250]
Standard Setting	43	[625]
25	20-170	[300-2500]
Standard Setting	86	[1250]
50	40-350	[600-5000]
Standard Setting	172	[2500]

Cavity

Omit - Cavity without undercut/No housing

U - Cavity with undercut