

SC21/21G

Universal Twin Compressor

R134a

220-240V 50Hz

Data Sheet (Replaces CD.44.J4.02)

General

Compressor	SC21/21G
Code number	104G8180

Application

Application		LBP/HBP
Evaporating temperature range	°C	-35 to 15
Voltage range ^{*)}	V/Hz	198 - 254 /50
Motor type		CSR
Max. ambient temperature	°C	43
Comp. cooling at ambient temp.	32°C	F ₂
	38°C	F ₂
	43°C	F ₂

^{*)} Not applicable below -25°C evaporating temperature in 43°C ambient temperature above 240V.

Design

Displacement	cm ³	2 x 20.95
Oil quantity	cm ³	1120
Maximum refrigerant charge	g	2200
Free gas vol. in compressor	cm ³	2920
Weight without electrical equipment	kg	28

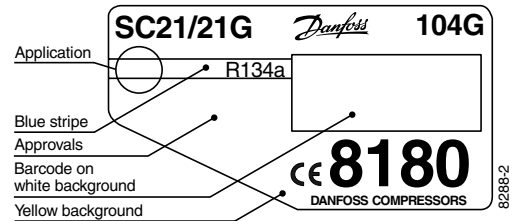
Motor

Motor size	watt	2 x 550
LRA (rated after 4 sec. UL984) HST*	A	21.8
Cut-in current HST*	A	21.8
Resistance, main and start winding (25°C)	Ω	3.5/12.1
Approvals		EN 60335-2-34

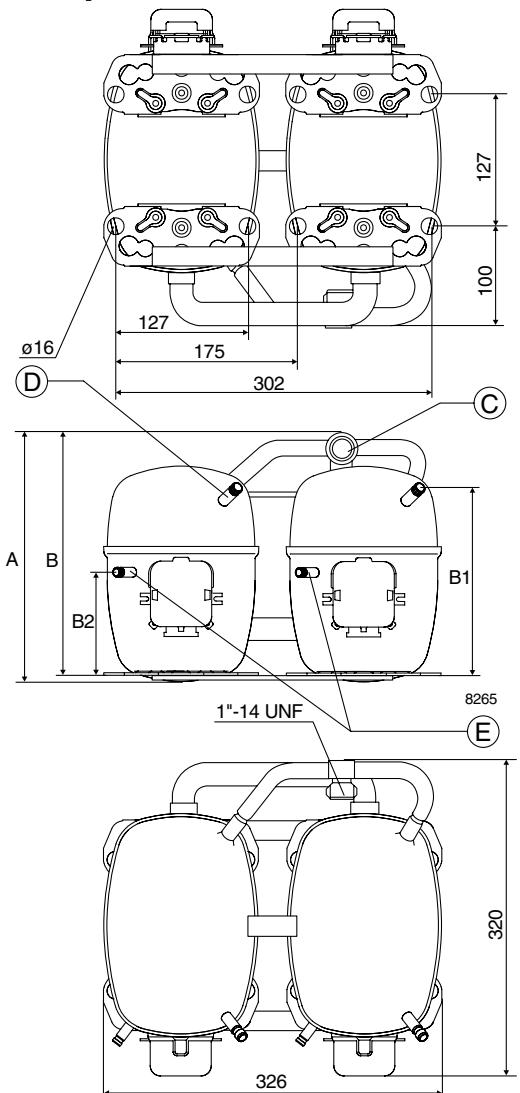
* Operational current for the second compressor time-delayed.

Dimensions

Height	mm	A	259
		B	254
		B1	193
		B2	110
Suction connector	location/I.D. mm	C	16
		C	16
		D	6.2 ±0.09
Discharge connector	location/I.D. mm	E	6.2 ±0.09
Compressors on a pallet	pcs.		18



- S = Static cooling normally sufficient
- O = Oil cooling
- F₁ = Fan cooling 1.5 m/s (compressor compartment temperature equal to ambient temperature)
- F₂ = Fan cooling 3.0 m/s necessary



Capacity (EN 12900/CECOMAF)

watt

Comp. °C	-25	-23.3	-20	-15	-10	-5	0	5	7.2	10	15
SC21/21G	667	741	907	1212	1584	2025	2536	3120	3400	3778	4511

Capacity (ASHRAE)

watt

Comp. °C	-25	-23.3	-20	-15	-10	-5	0	5	7.2	10	15
SC21/21G	820	912	1116	1493	1953	2500	3135	3862	4212	4684	5605

Power consumption

watt

Comp. °C	-25	-23.3	-20	-15	-10	-5	0	5	7.2	10	15
SC21/21G	771	815	899	1026	1156	1289	1430	1581	1651	1744	1921

Current consumption

A

Comp. °C	-25	-23.3	-20	-15	-10	-5	0	5	7.2	10	15
SC21/21G	4.56	4.68	4.96	5.42	5.92	6.48	7.08	7.74	8.04	8.44	9.20

COP (EN 12900/CECOMAF)

W/W

Comp. °C	-25	-23.3	-20	-15	-10	-5	0	5	7.2	10	15
SC21/21G	0.87	0.92	1.02	1.19	1.38	1.58	1.78	1.98	2.07	2.18	2.37

COP (ASHRAE)

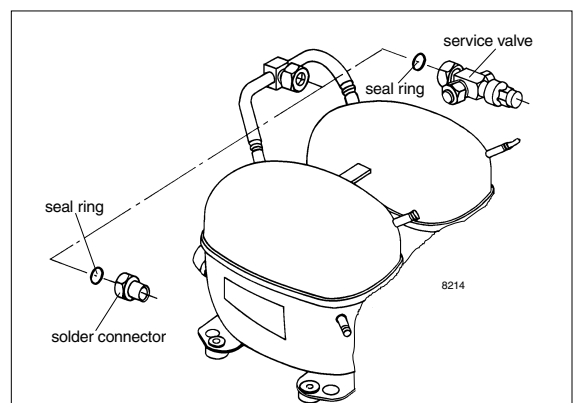
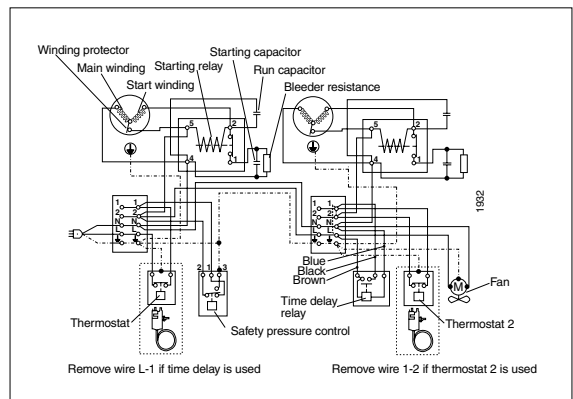
W/W

Comp. °C	-25	-23.3	-20	-15	-10	-5	0	5	7.2	10	15
SC21/21G	1.07	1.13	1.25	1.47	1.70	1.95	2.20	2.45	2.56	2.70	2.94

Test conditions	EN 12900/CECOMAF	ASHRAE
Condensing temperature	55°C	55°C
Ambient and suction gas temp.	32°C	32°C
Liquid temperature	55°C	32°C
Fan cooling, 220V 50Hz		

Accessories

Devices	pcs.	SC21/21G
Starting device	2	117-7028 (470 mm cable length) 117-7029 (550 mm cable length) 117-7032 (650 mm cable length)
Cover	2	103N2009
Cord relief	2	103N1004
Time-delay relay	1	117N0001
Check valve (to be used with time-delay relay)	2	020-1014
Service valve	1	118-7351 (16 mm)
Solder connector (alternative)	1	118-7405 (16 mm)
Seal ring for service valve and solder connector	1	118-3638
Mounting accessories	2	118-1917
Bolt joint for one compressor		118-1918
Bolt joint in quantities		118-1918



Danfoss can accept no responsibility for possible errors in catalogues, brochures and other printed material. Danfoss reserves the right to alter its products without notice. This also applies to products already on order provided that such alterations can be made without subsequential changes being necessary in specifications already agreed. All trademarks in this material are property of the respective companies. Danfoss and the Danfoss logotype are trademarks of Danfoss A/S. All rights reserved.