

Data Sheet

# Series 40 Axial Piston Pumps

## M46 HC EDC

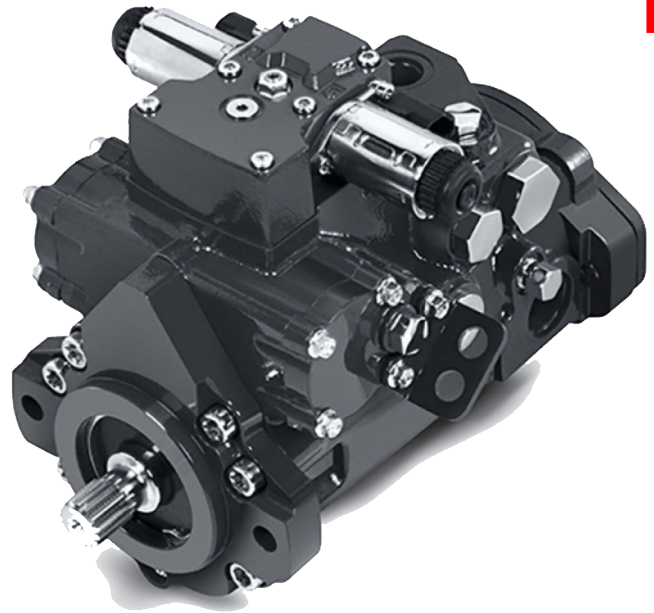


For more than 40 years, Danfoss has been developing state-of-the-art components and systems for mobile machinery used in off-highway operations around the world. We have become a preferred supplier by offering the best of what really matters: The hardware inside your vehicle application.

The M46, along with the high-current control is designed for quality and reliability and offers expanded functionality, greater total efficiency, and easy installation.

The M46 high-current control option is PLUS+1<sup>®</sup> compliant.

PLUS+1<sup>®</sup> allows you to rapidly develop and customize electronic machine control. It opens up the future by combining machine controls and diagnostics in an integrated operating network.



### Features

#### Designed for Durability and Flexibility

- Optimized for medium duty applications
- Single piece housing/end cap
- Efficient axial piston design

#### Installation and Packaging benefits

- Worldwide Support
- Standard connector interfaces
- Compact, optimized packaging
- Low noise
- Single, bolt together tandem configurations

#### Wide Range of Options

- Optional integrated charge pump
- High pressure and charge relief valve
- Displacement limiters
- Variety of input shafts
- Variety of auxiliary mounting pads

#### Wide Range of Options

- PLUS+1<sup>®</sup> Compliant control
- Consistent, flat and repeatable deadband
- Easier system compatibility
- Improved controllability

---

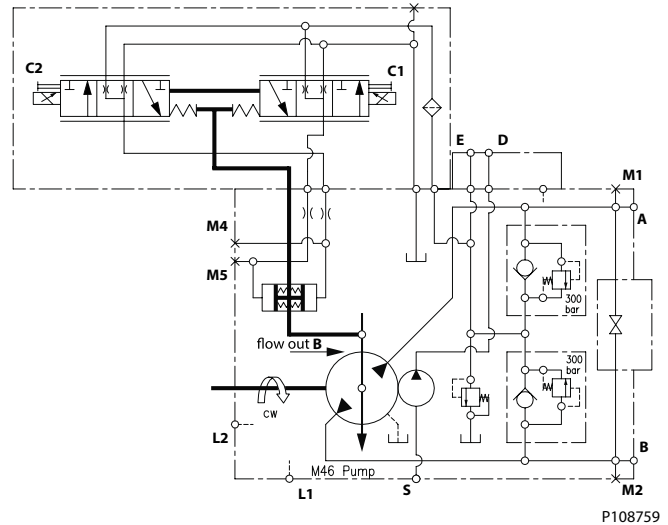
[Comprehensive technical literature online at powersolutions.danfoss.com](http://powersolutions.danfoss.com)

---

**Technical Specifications**

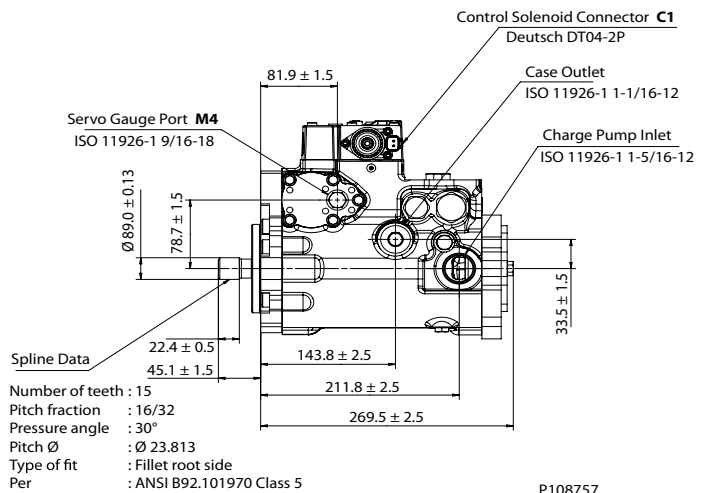
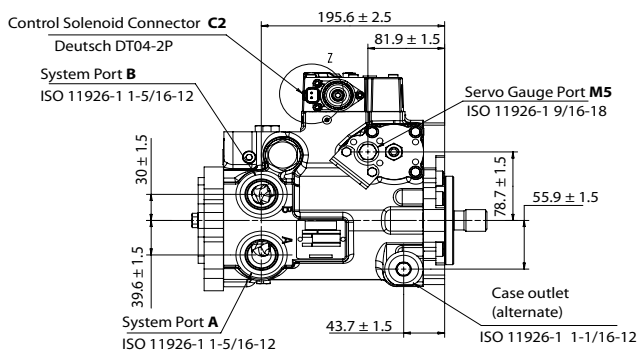
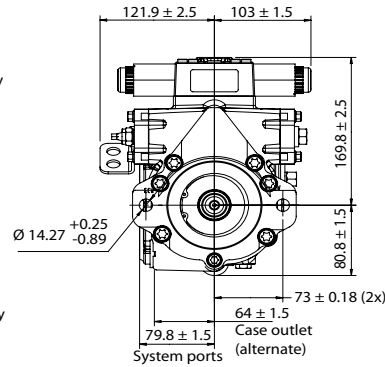
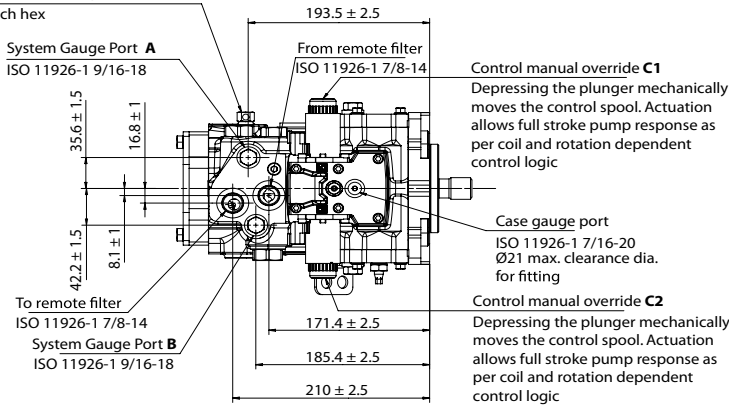
Features		Unit	M46 Single Pump
Displacement		cm <sup>3</sup> /rev [in <sup>3</sup> /rev]	45.9 [2.80]
Weight		kg [lb]	33 [73]
Input Speed	Minimum	min <sup>-1</sup> (rpm)	500
	Rated		4000
	Maximum		4100
System Pressure	Max. Working Pressure	bar [psi]	345 [5000]
	Max. pressure		385 [5585]
	Min. Low Loop		10 [145]
Control Pressure	Minimum @ corner power	bar [psi]	21.5 [312]
Case Pressure	Continuous	bar [psi]	
	Maximum (cold start)	bar [psi]	5.2 [75]

**Schematic**



**Dimensions**

Bypass Valve (full open at two revolutions)  
5/8 inch hex



Danfoss can accept no responsibility for possible errors in catalogues, brochures and other printed material. Danfoss reserves the right to alter its products without notice. This also applies to products already on order provided that such alterations can be made without changes being necessary in specifications already agreed. All trademarks in this material are property of the respective companies. Danfoss and the Danfoss logotype are trademarks of Danfoss A/S. All rights reserved.