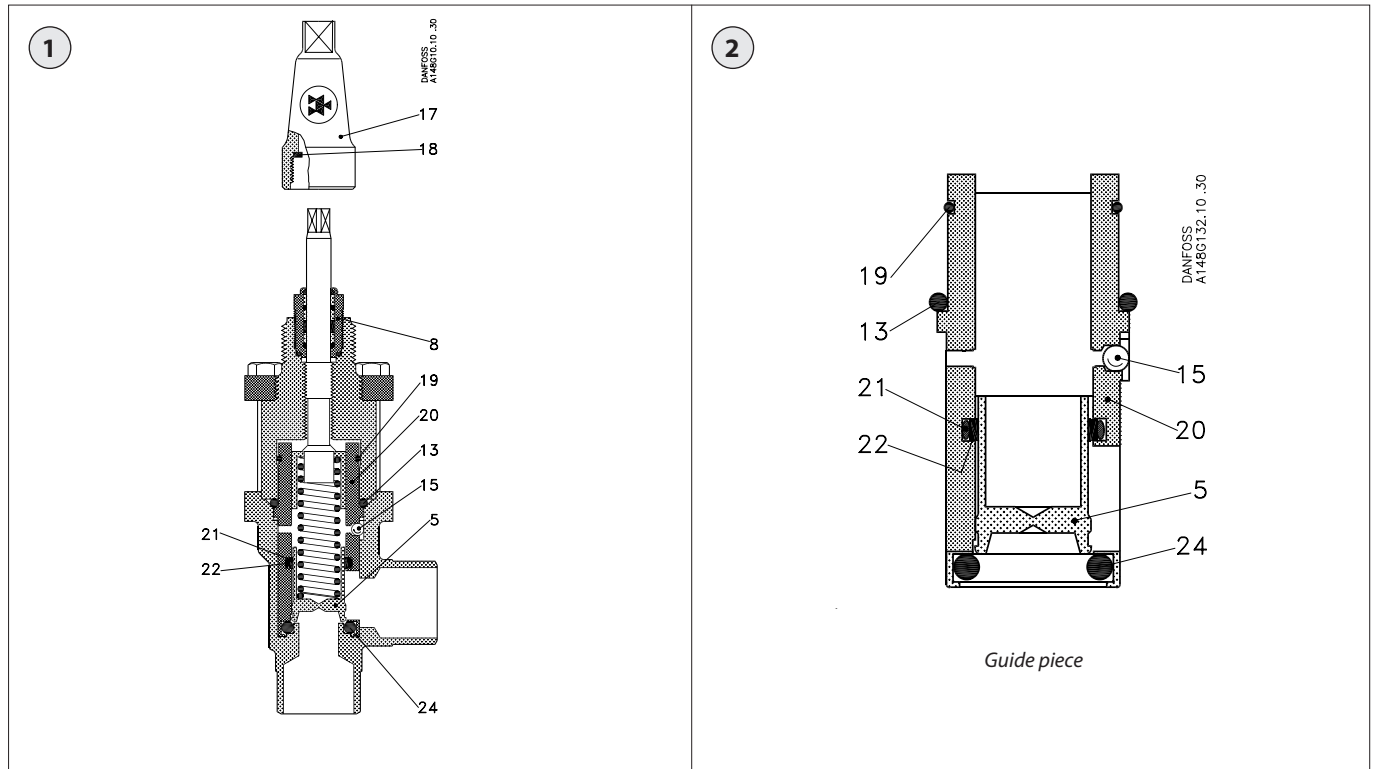


Data sheet – Spare parts and accessories

Pressure regulating valve
Type OFV 20-25 (3/4 - 1 in.) type 133



Description	Pos. #	Qty.	Size	Code no.
Repair kit, set of gaskets				
Gaskets complete for packing gland	8a	1	20 (3/4 in.)	2453+093
O-ring for housing/bonnet	13	1		
Gasket for cap	18	1		
O-ring	19	1		
O-ring (Excl. 21-22)	24	1		
Gaskets complete for packing gland	8a	1	25 (1 in.)	
O-ring for housing/bonnet	13	1		
Gasket for cap	18	1		
O-ring	19	1		
O-ring (Excl. 21-22)	24	1		

Repair kit, guide piece incl. cone and complete set of gaskets				
Cone complete	5	1	20 (3/4 in.)	2433+107
Gaskets complete for packing gland	8a	1		
O-ring for housing/bonnet	13	1		
Steel ball	15	1		
Gasket for cap	18	1		
O-ring	19	1		
Guide piece	20	1		
O-ring	21	1		
Sealing ring	22	1		
O-ring	24	1		
Cone complete	5	1	25 (1 in.)	2433+108
Gaskets complete for packing gland	8a	1		
O-ring for housing/bonnet	13	1		
Steel ball	15	1		
Gasket for cap	18	1		
O-ring	19	1		
Guide piece	20	1		
O-ring	21	1		
Sealing ring	22	1		
O-ring	24	1		

Description	Pos. #	Qty.	Size	Code no.
Packing gland incl. gaskets (with O-rings)				
Packing gland incl. gaskets	8	1	20 (3/4 in.)	148B4056
Packing gland incl. gaskets	8	1	25 (1 in.)	
Cap incl. gasket				
Cap incl. gasket	17	1	20 (3/4 in.)	148B4075
Cap incl. gasket	17	1	25 (1 in.)	
Grease for packing gland (tube)				
Grease for packing gland (tube)	-	1	20 (3/4 in.)	148H3445
Grease for packing gland (tube)	-	1	25 (1 in.)	