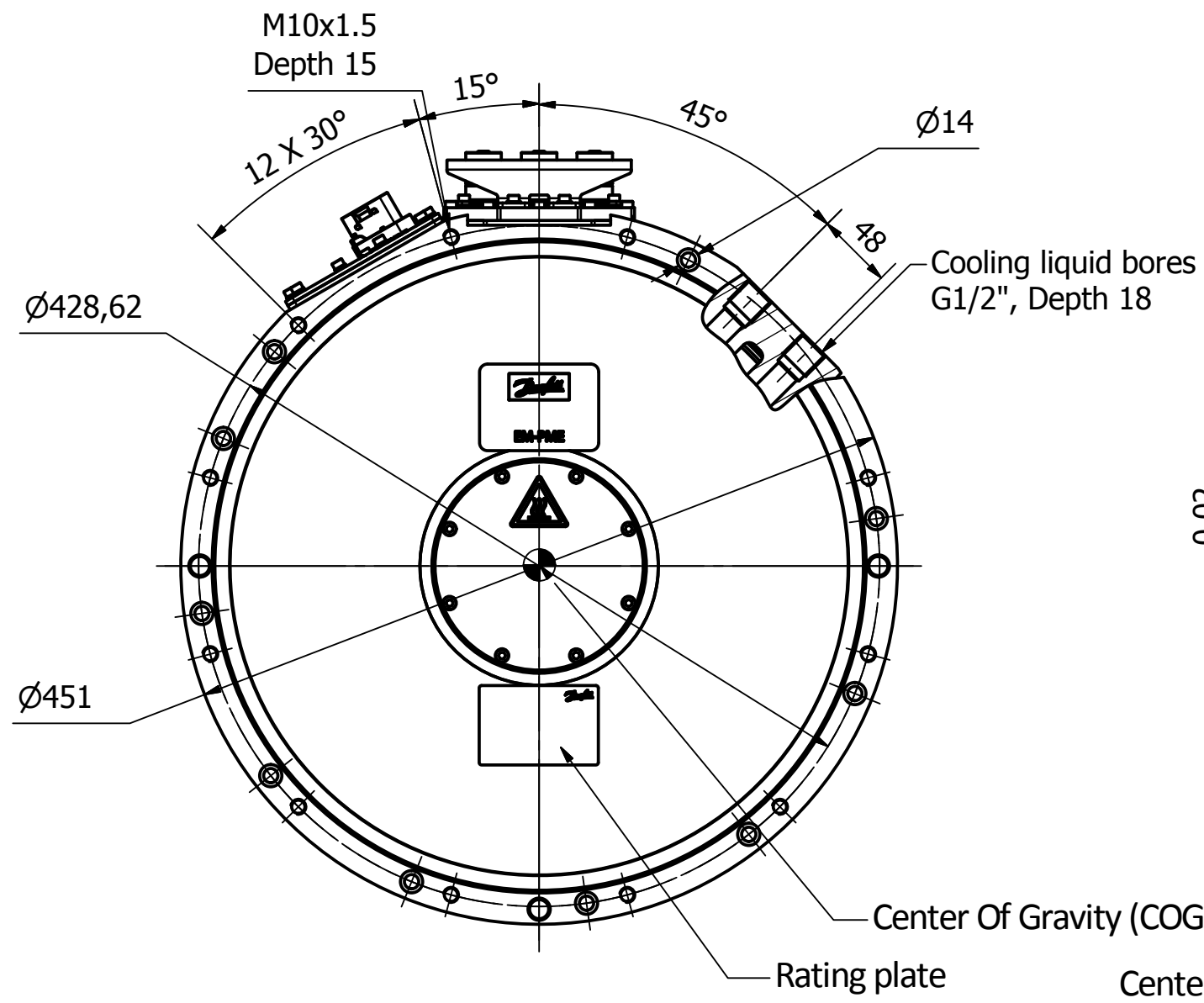
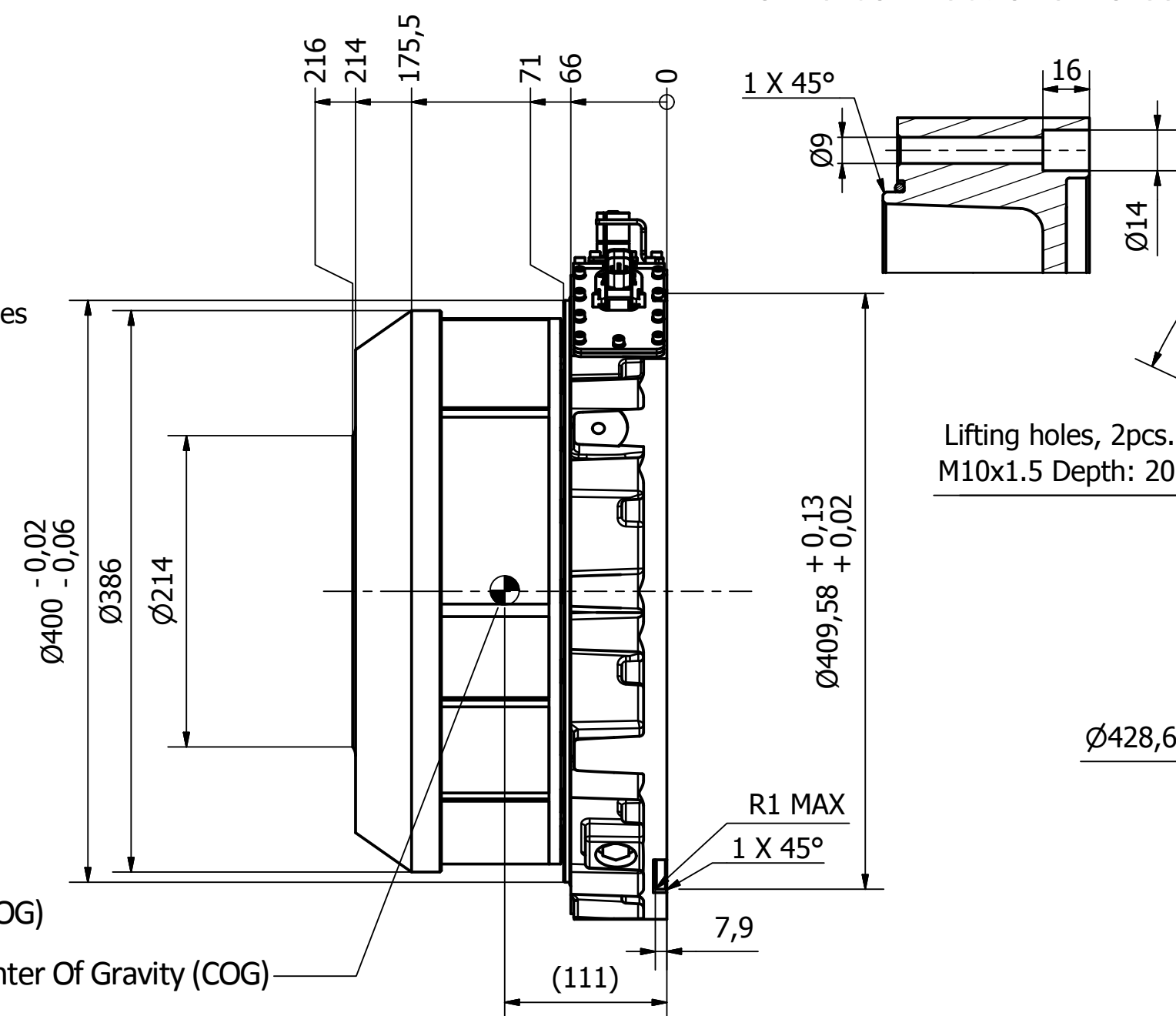


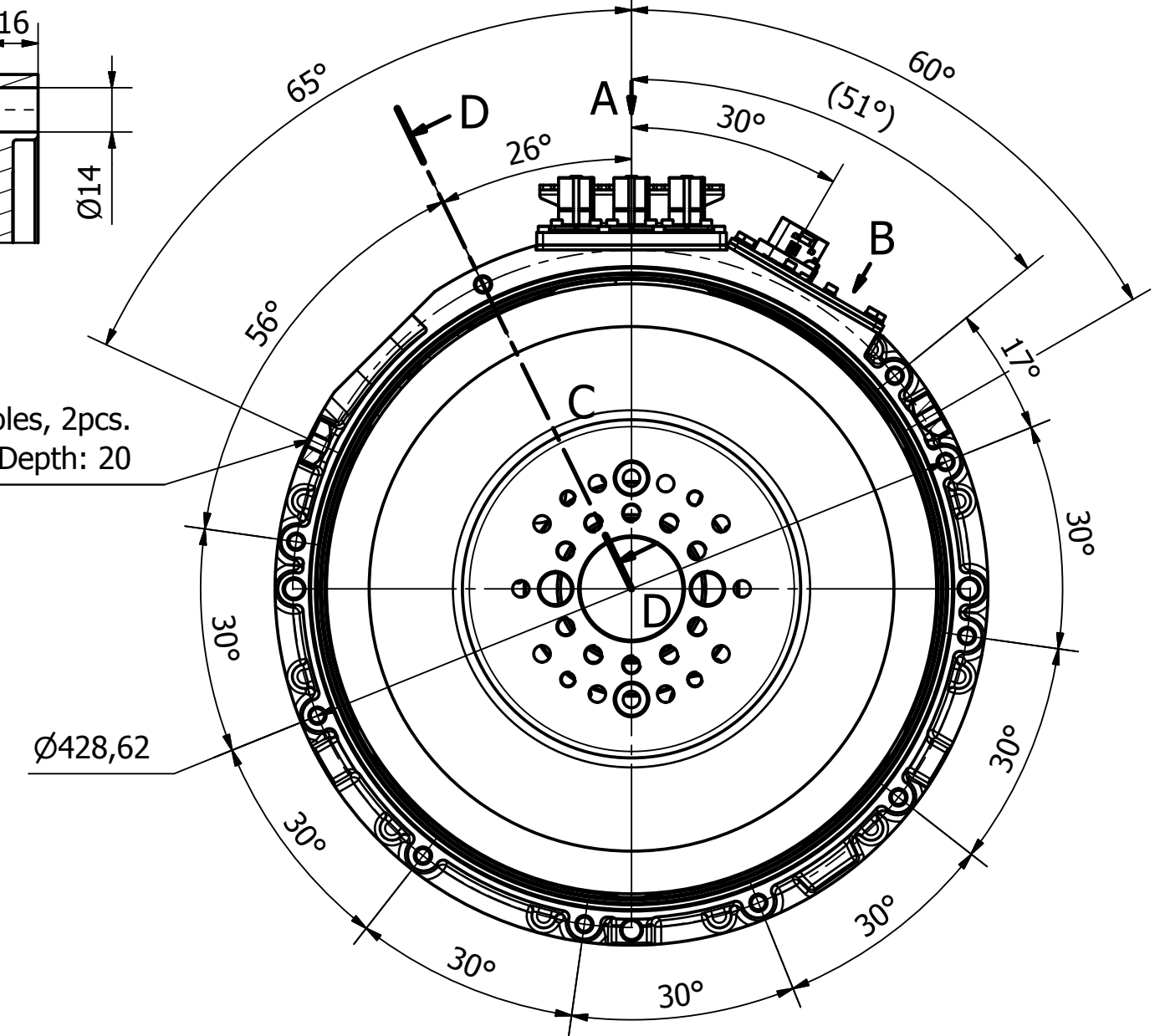
**N-End**  
Connection interface:  
SAE 3 Flywheel housing



**D-D (1 : 2)**  
Frame connections holes, 10 pcs:

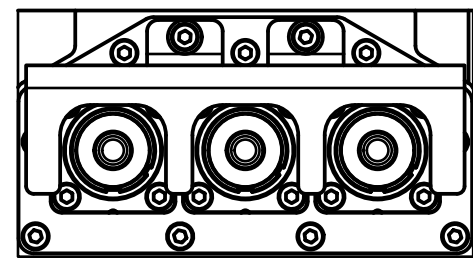


**D-End**  
Connection interface:



**A (1 : 2)**  
High voltage connertors

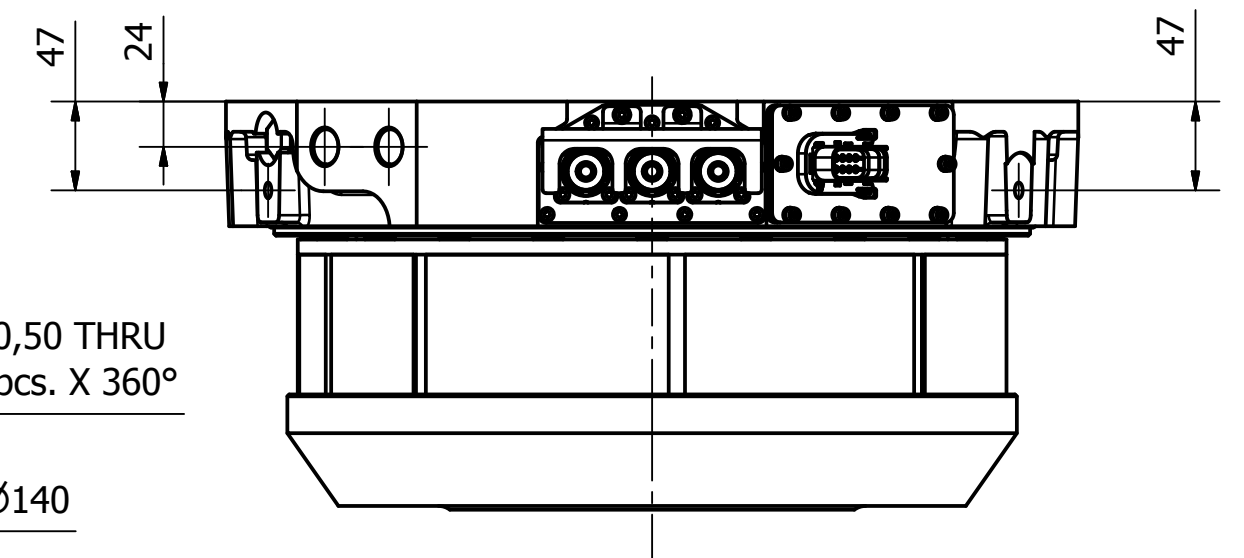
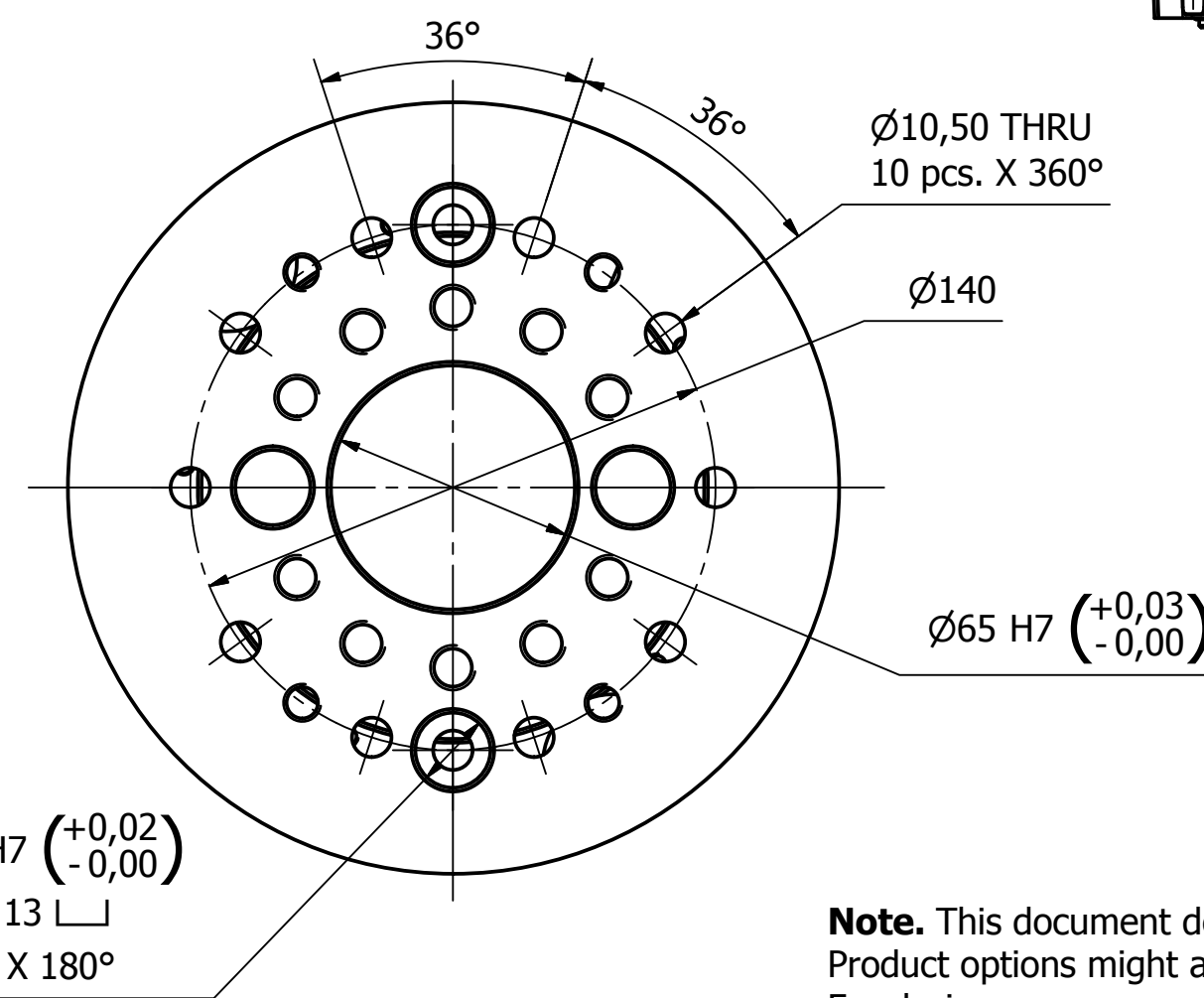
3 X 1 phase connections.  
**Connector type:**  
AMPHENOL HVBI005R10AMHARD



U(L1) V(L2) W(L3)

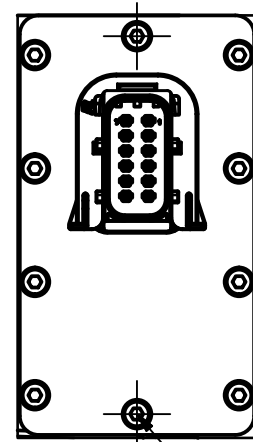
**Mating connector:**  
AMPHENOL HVBI-7-05R10-XFC-XXXX-FG/PC (straight plug)  
AMPHENOL HVBI-9-05R10-XFC-XXXX-FG/PC (right angle plug)  
(Mating connector not included in standard delivery)

**C (1 : 2)**  
Rotor connection interface

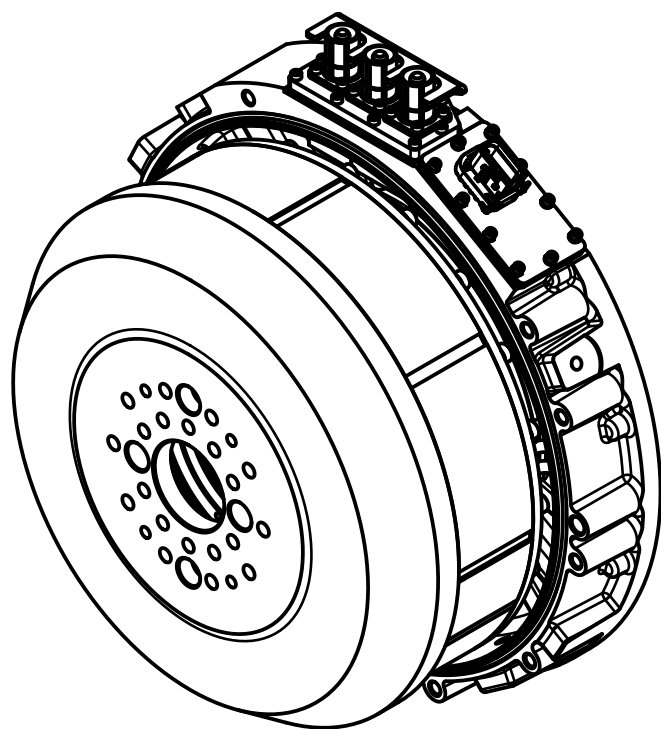


**B (1 : 2)**  
Low voltage connector

Temperature measurement  
and resolver connections.  
**Connector type:**  
TE 1-1564520-1 HDSCS  
Gold plated pins  
**Mating connector:**  
TE 1-1703639-1  
Recommended to use gold  
plated connector  
(Mating connector not included in standard delivery)



Bolt for LV-cable  
shield grounding



**Note.** This document describes the basic model of the product. Product options might affect the product dimensions. For design purposes consult Danfoss representative to receive full documentation.

General tolerances Machining: SFS-EN 22768-mK (ISO 2768-mK) Welded construction: SFS-EN ISO 13920-BF Welding quality: SFS-EN ISO 5817-C Casting: SFS-EN ISO 8062-CT9	Material	Mass (± 2%) 85 kg	Name Designed	Date 27.4.2015	Scale A
ELECTRIC MACHINE					
<b>CONFIDENTIAL</b> The content of this document is confidential and proprietary to Danfoss Mobile Electrification Oy. The use of the information contained herein is restricted solely to the recipient. Use for any other purpose without Danfoss Mobile Electrification Oy's written permission is expressly prohibited.	Item 17374	Size A2			
	Document 17374	Rev 0	Sheet 1 / 1		

