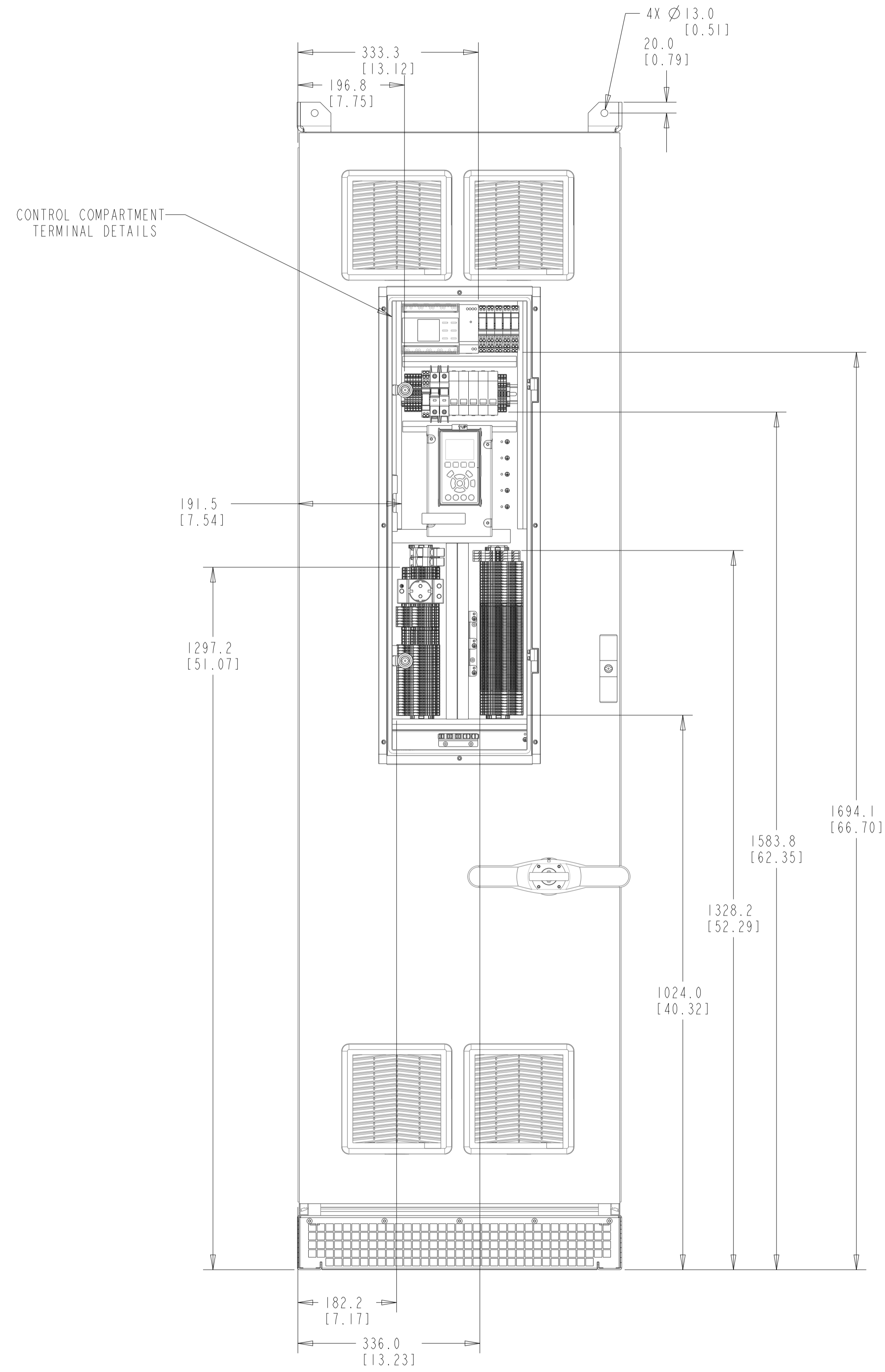
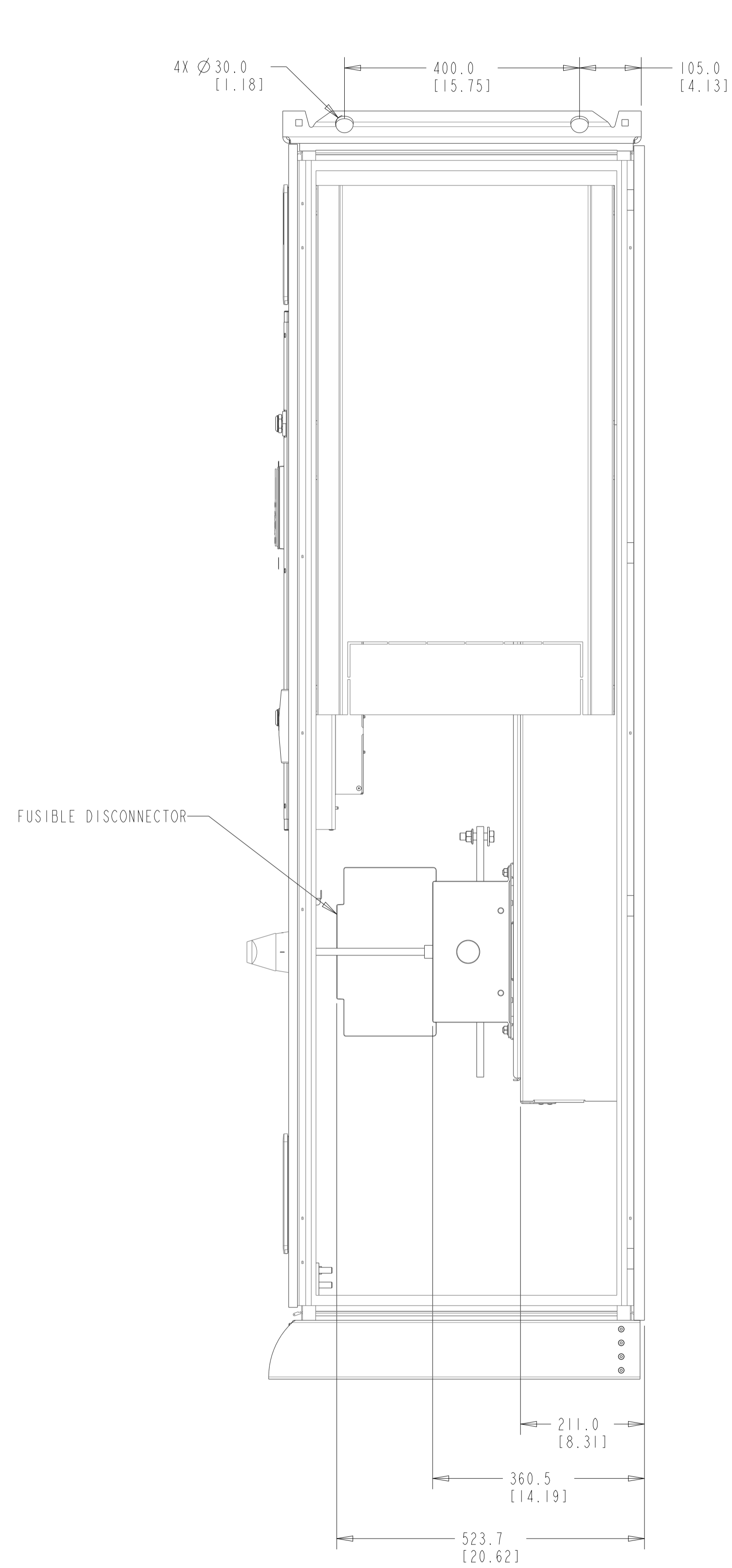


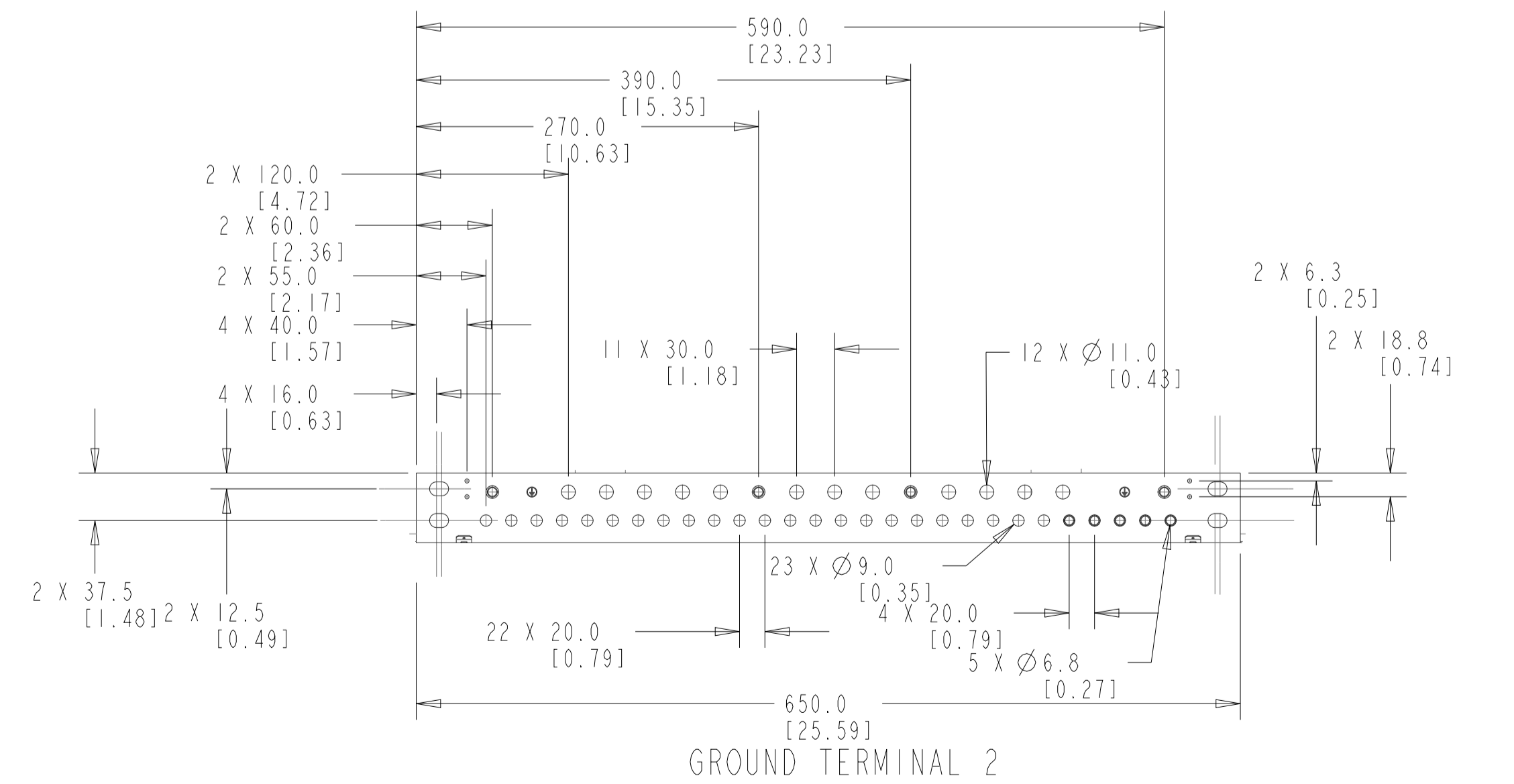
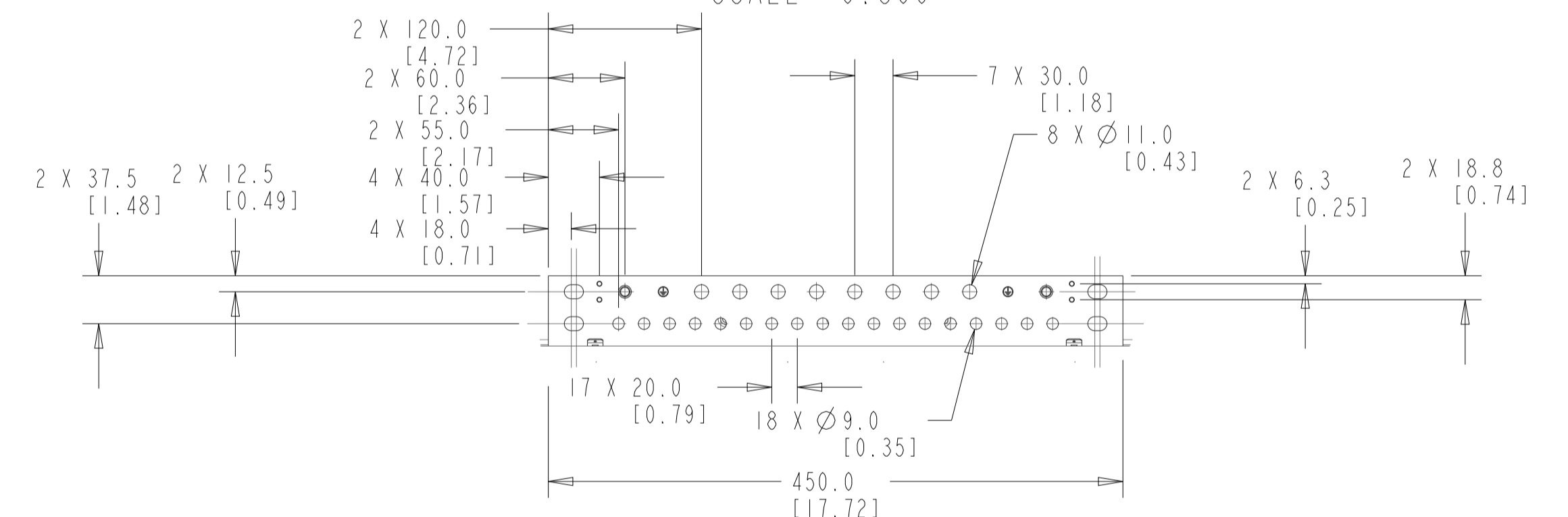
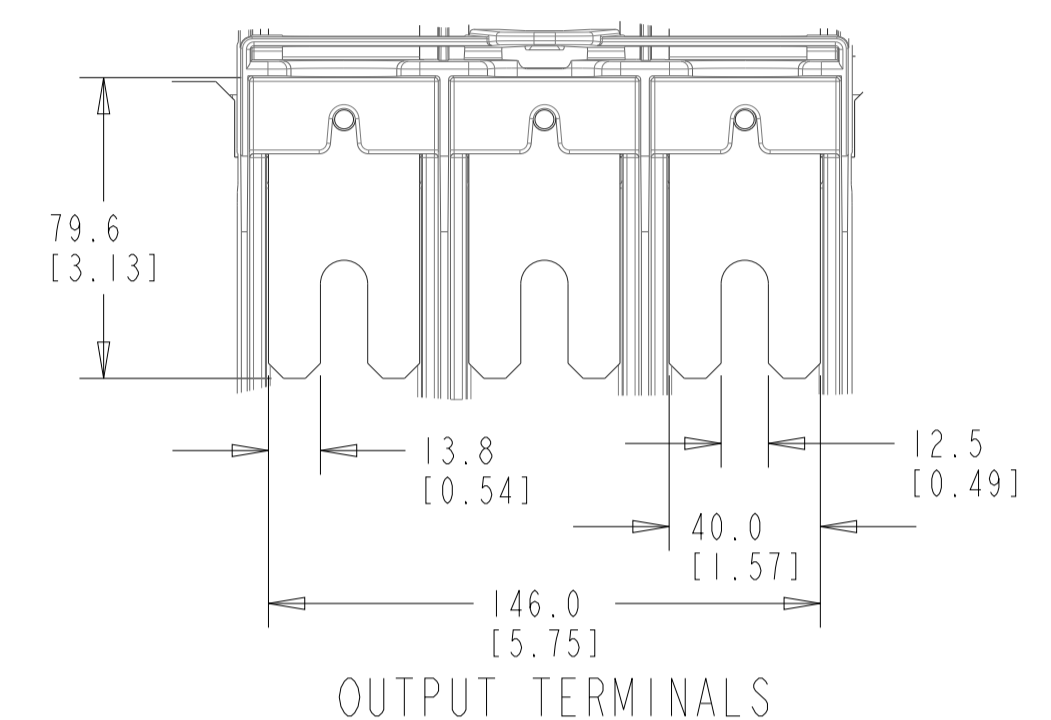
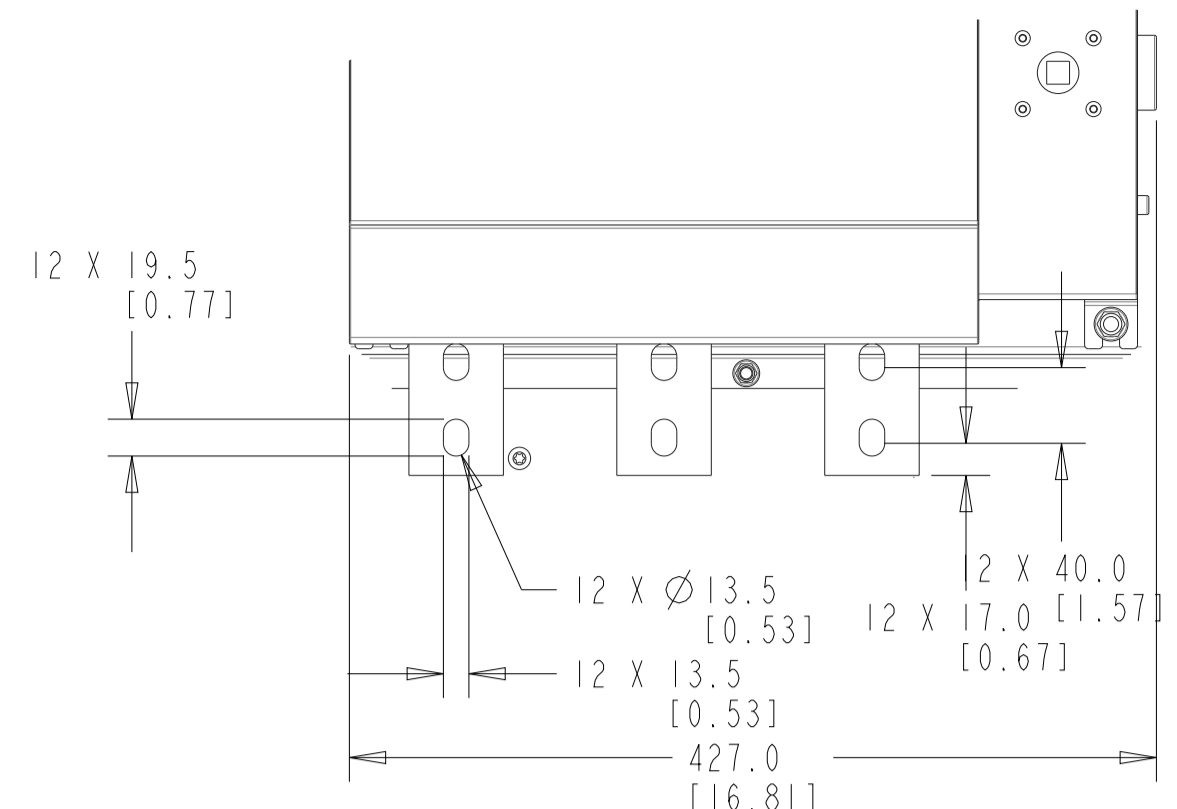
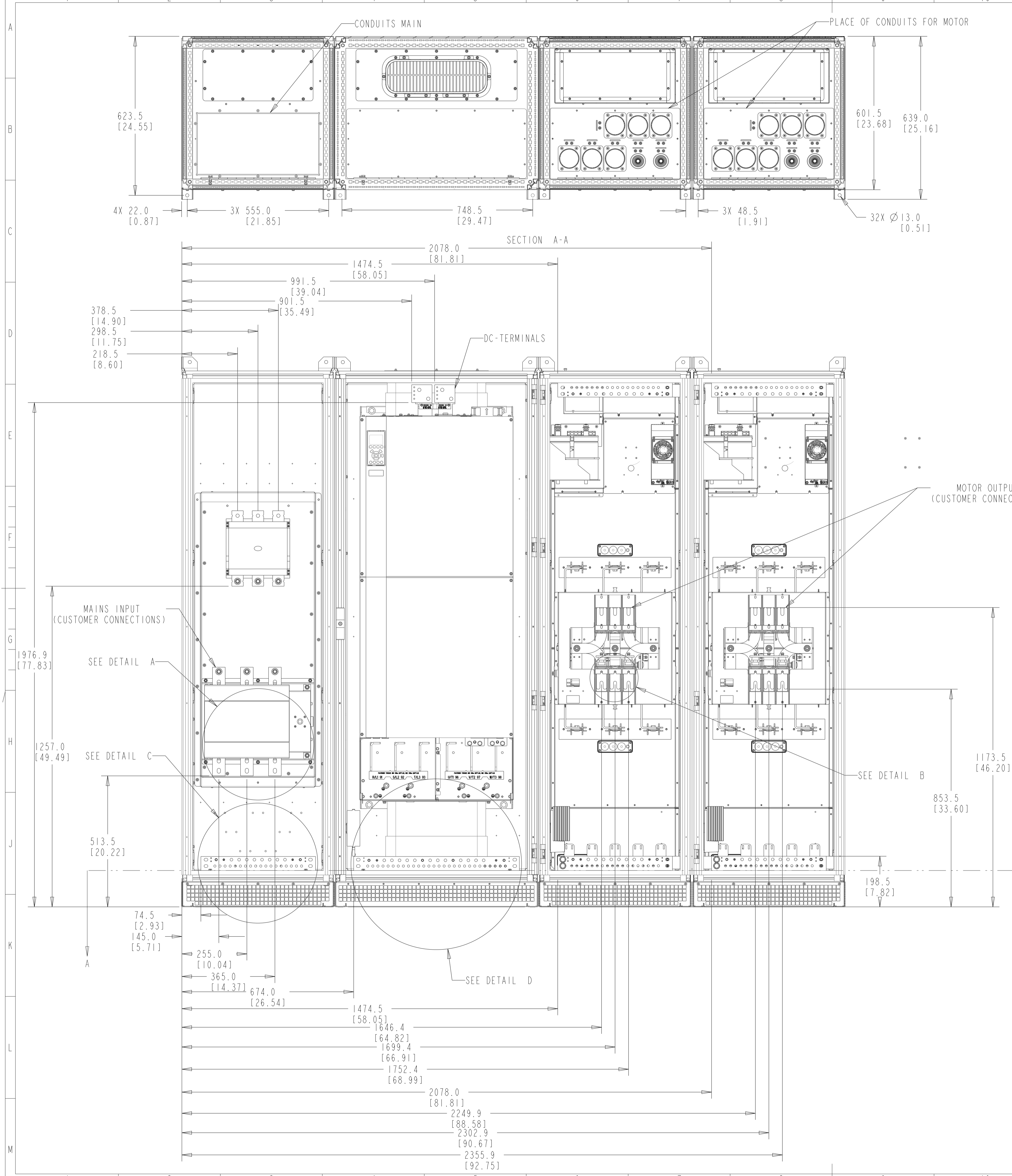
▽ CRITICAL CHARACTERISTICS  
▽ KEY CHARACTERISTICS  
○ INSPECTION  
MUST COMPLY TO ROHS DIRECTIVE 2011/65/EU

INTERPRET DIM. & TOL. PER ASME Y14.5M-1994 ALL DIMENSIONS ARE IN MILLIMETERS TOLERANCES UNLESS OTHERWISE SPECIFIED ±1.0    ±0.50    ±1.0		THIRD ANGLE PROJECTION	SCALE 0.125	SIZE A1	MATERIAL
— PDM CONTROLLED DRAWING — NOT VALID WITHOUT FROZEN DATE IN ID STAMP					
DESIGNED	SABARISH	04/03/19	<b>Danfoss</b>		
CHECKED					
CONFIDENTIAL - PROPERTY OF DANFOSS A/S NORBORG, DENMARK. NOT TO BE HANDED OVER TO BE COPIED OR BE USED BY A THIRD PARTY. TWO OR THREE DIMENSIONAL REPRODUCTION OF CONTENTS TO BE AUTHORIZED BY DANFOSS A/S.				132R0286	REV 001 SHEET 1 OF 4

MCAD-PLV-E6H-IP54-WITH-SINE-WAVE

INPUT OPTIONS & CONTROL COMPARTMENTS VIEW





NOTE:  
1. INTERNAL CABLE CONNECTIONS ARE NOT SHOWN.

