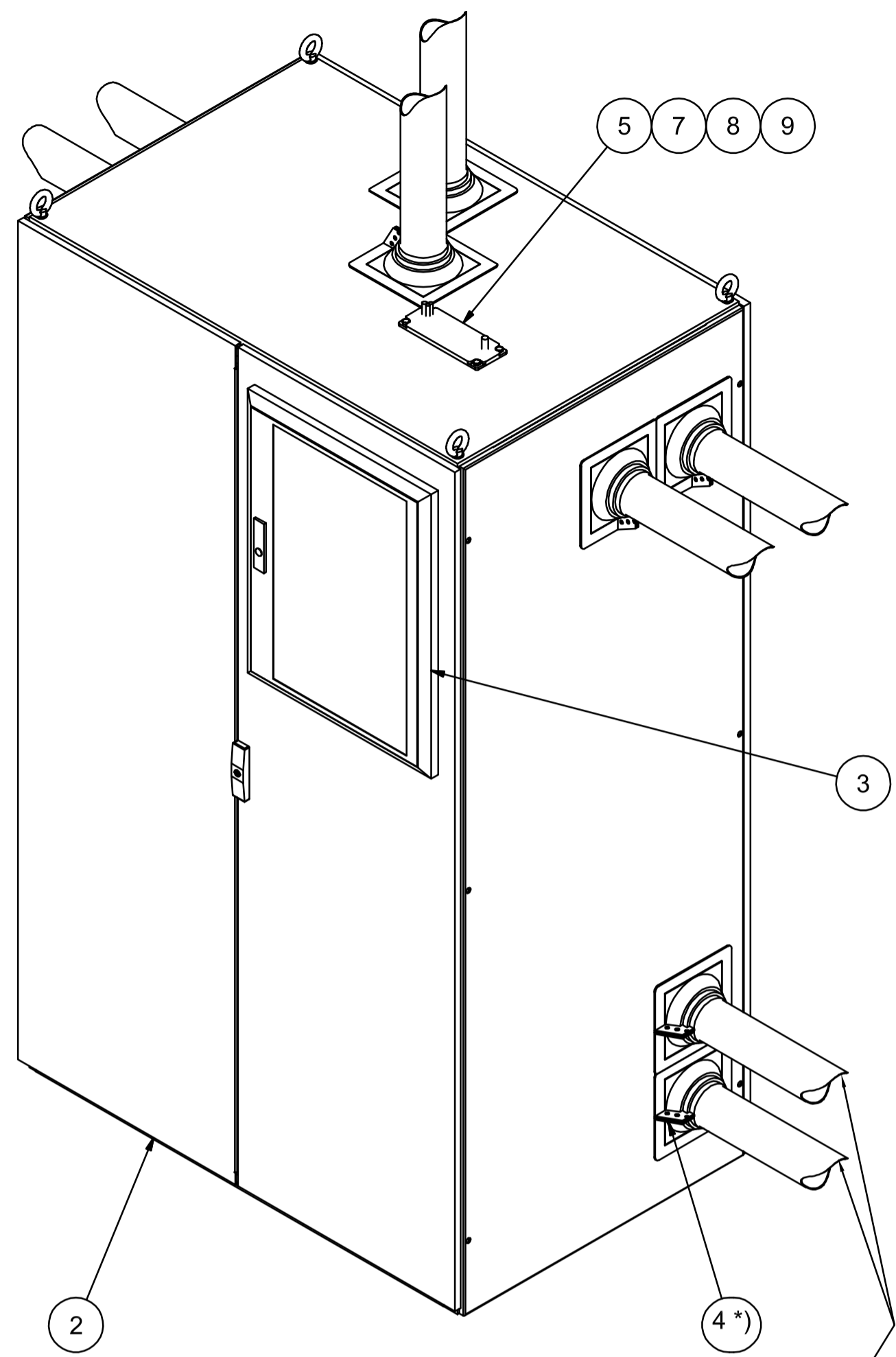
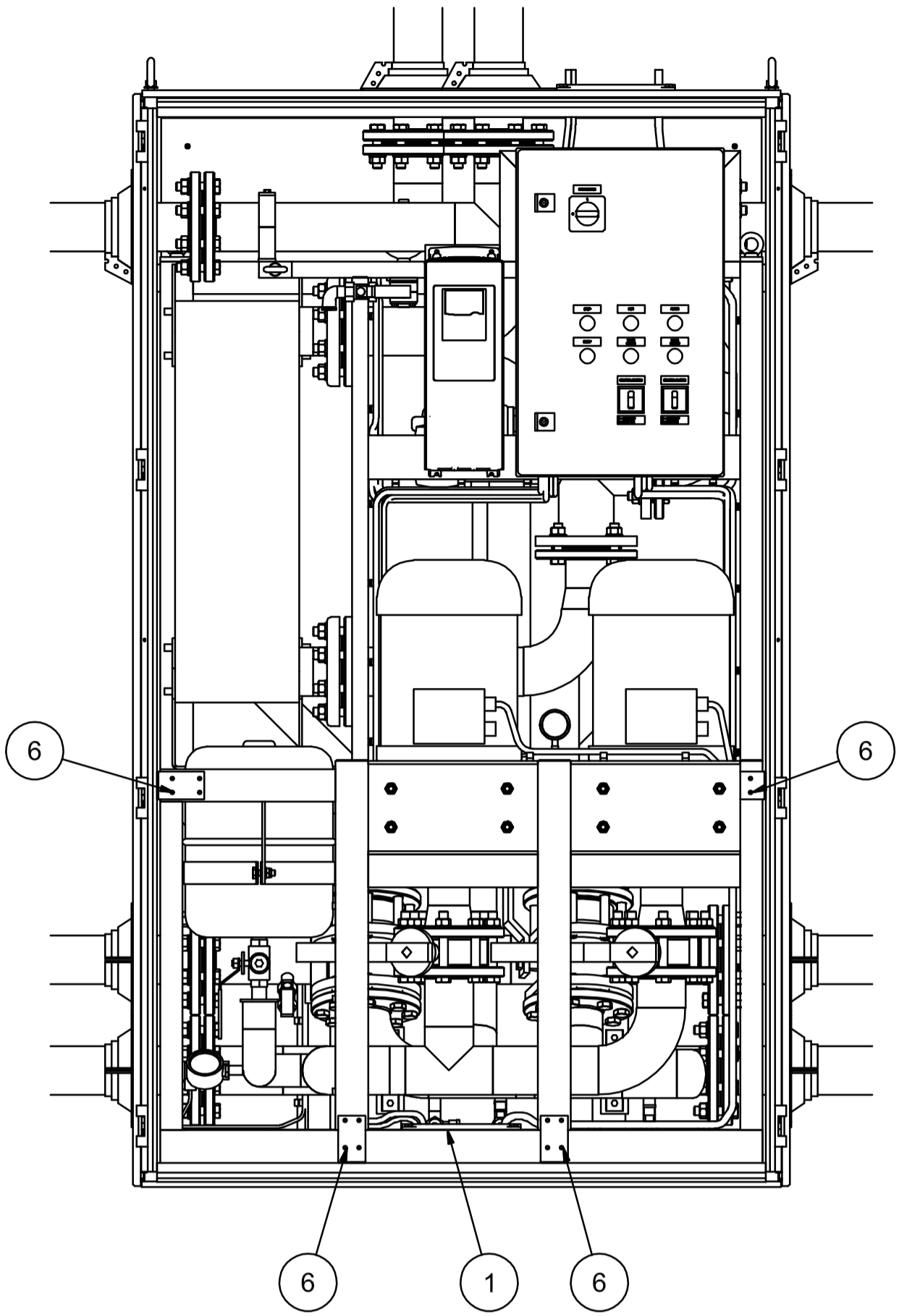
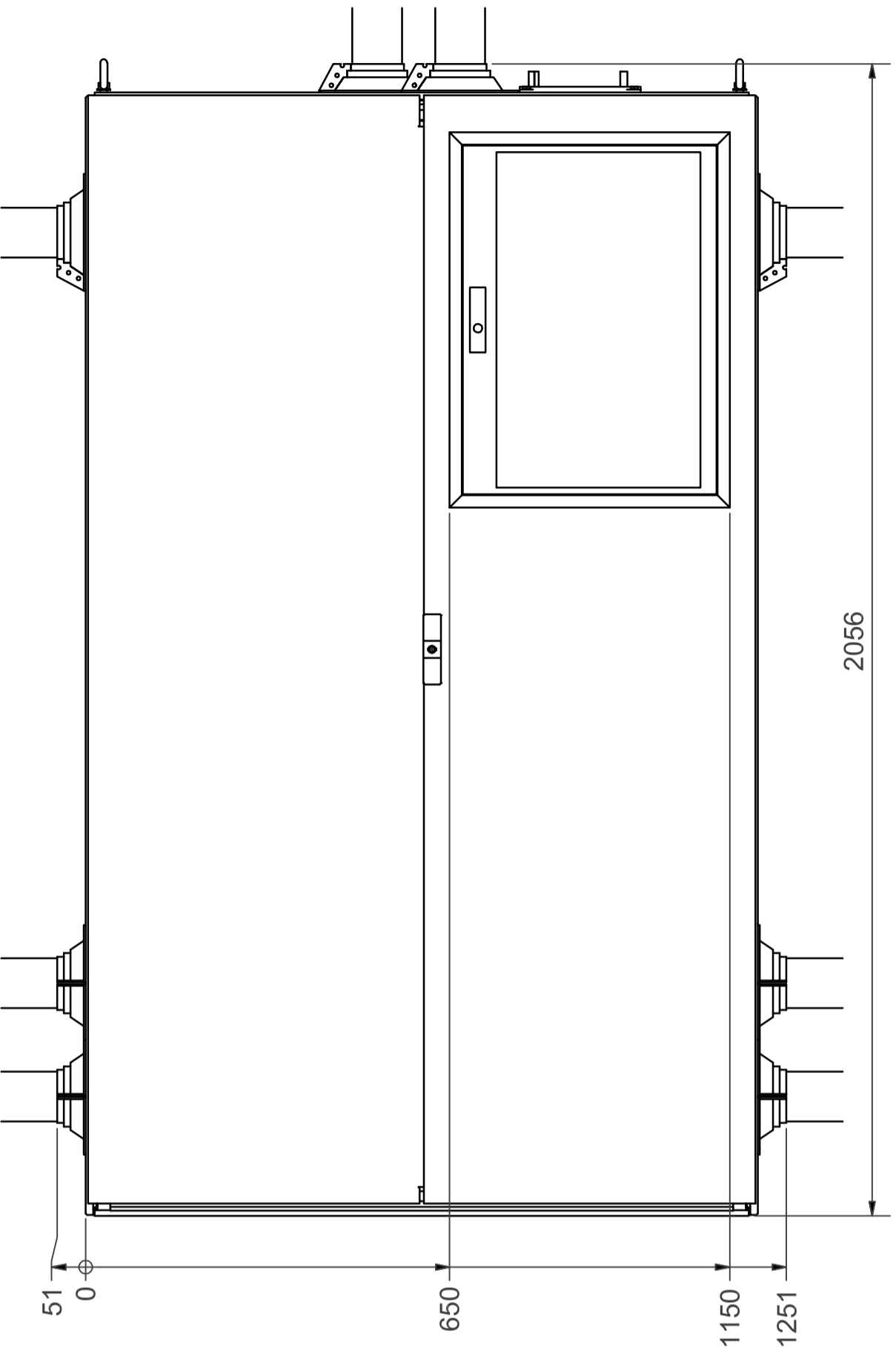
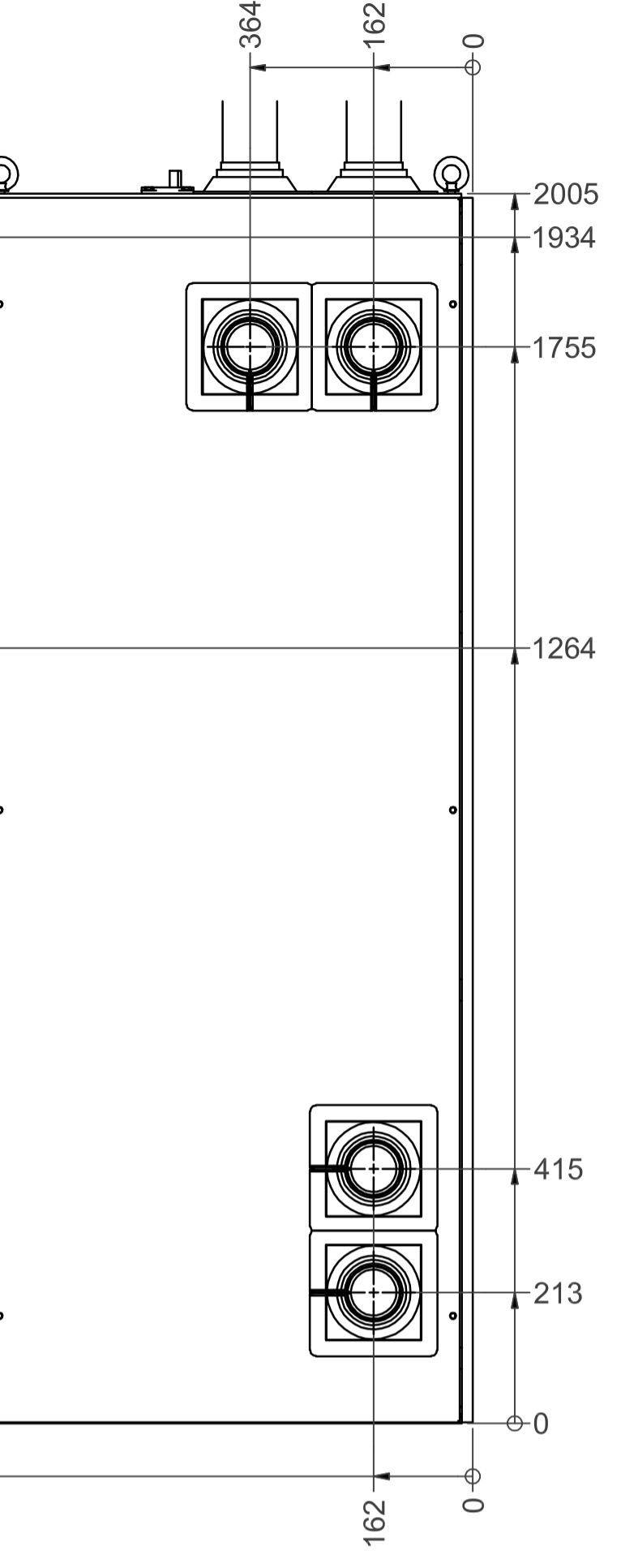
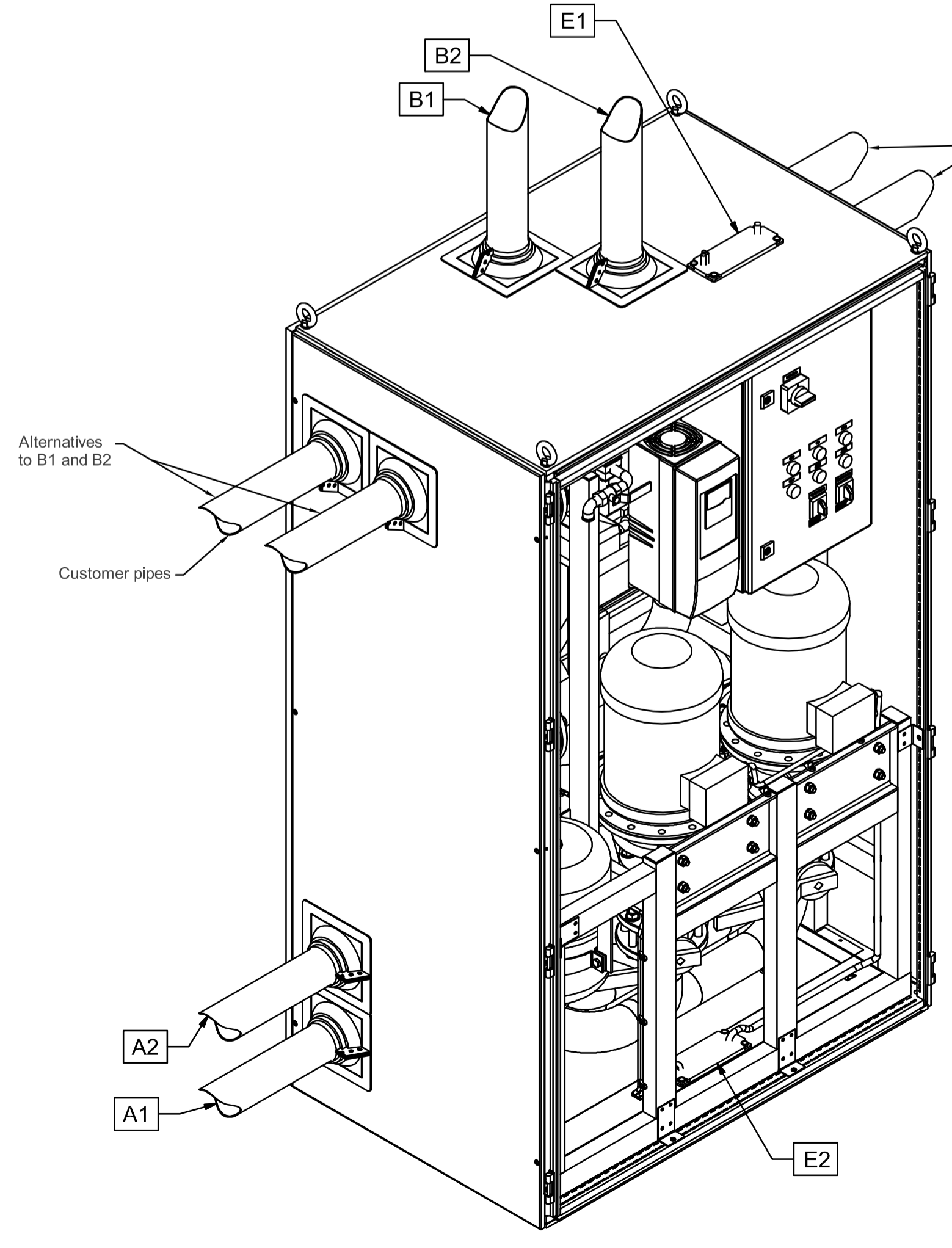
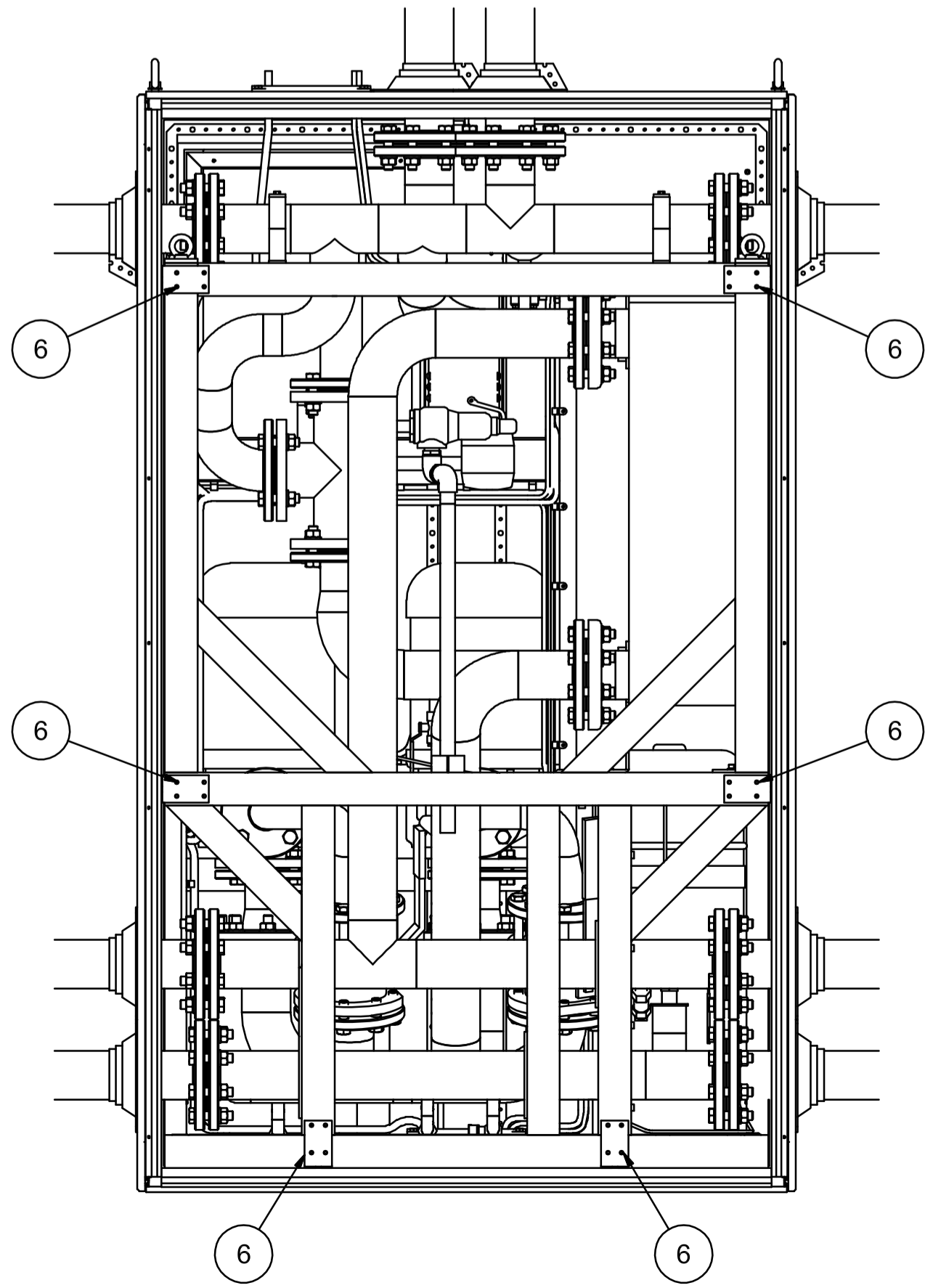
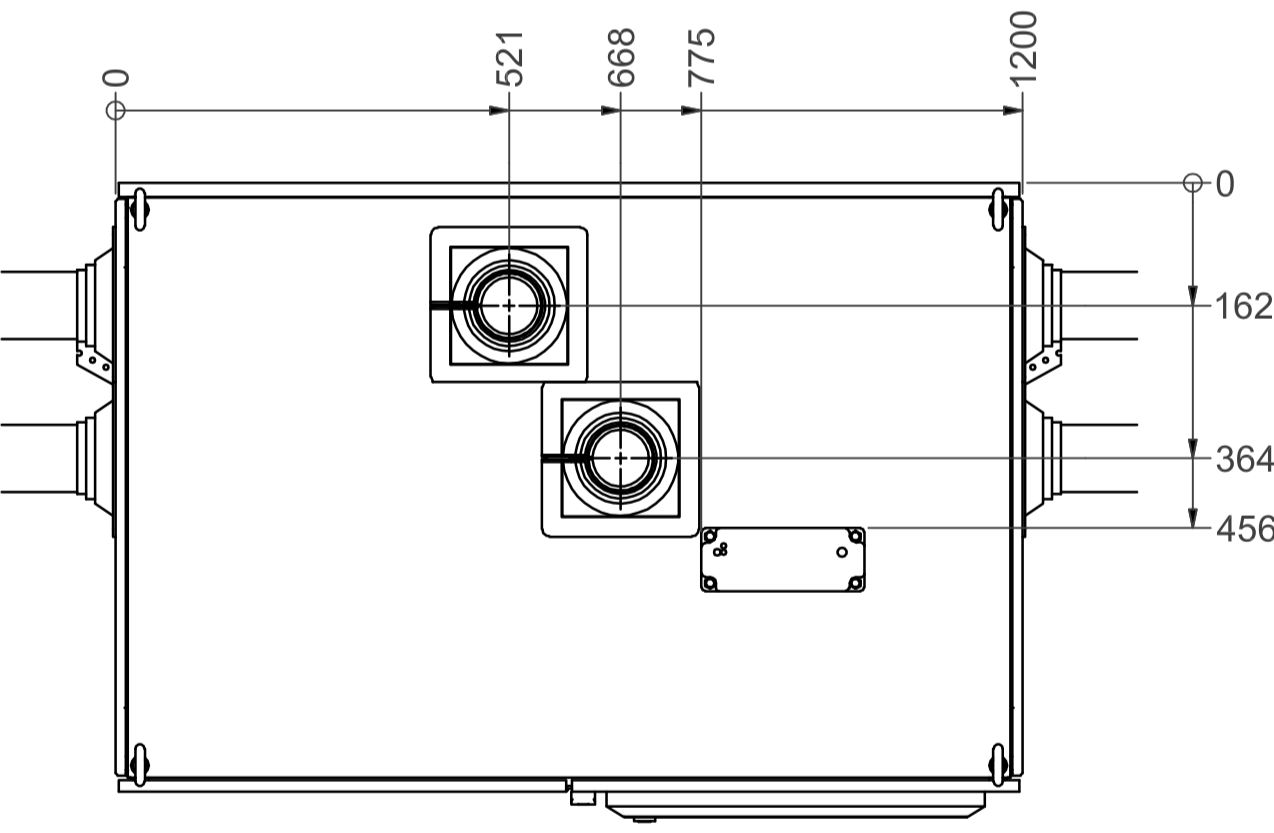


FRONT VIEW

FRONT VIEW, DOORS OPEN



BACK VIEW, OPEN WALL



NOZZLE DATA		SIZE
A1	FROM DRIVE	DN80
A2	TO DRIVE	DN80
B1	INLET CUSTOMER	DN80
B2	OUTLET CUSTOMER	DN80
E1	ELECTRICAL CONNECTION, Alternative 1	MC25
E2	ELECTRICAL CONNECTION, Alternative 2	MC25

The inlet/outlet direction of the primary and secondary circuits can be chosen according to the installation.

*) NOTE:
See Retrofit assembly and dimensional drawing VL39-5003-95.
See Rittal openings drawing VL39-5003-93.

Part no.	Qty.	Part name, type and/or measures	Standard/Draw. no.	Material	Weight/pc
9	4	Washer A8,4	DIN 125	Zn	-
8	4	Hex Nut M8	DIN 934	8 Zn	-
7	4	Hex-Head Bolt M8 x 18	DIN 933	8.8 Zn	-
6	10	Fastener	-	-	-
5	1	Multigate MC25	Mar-Con	-	-
4 *)	-	Retrofit Master Flash#1, 1/2"-4", Aztec Nordic	RF101B	Black EPDM	-
3	1	System window 500x670x33, Rittal	FT 2735.540	-	-
2	1	Cubicle TS8 1200x2000x800	Rittal	-	-
1	1	HXM300	VL39-5073-01	-	-

DRAWING NAME HXM300 RITTAL		CUSTOMER VACON OYJ	
DRAWING TYPE Assembly drawing		PROJECT NAME STD HX-unit	
PROJECT NUMBER HXM-R-300-N-S		CUSTOMER PROJECT NUMBER	
DATE A-M. Haka 18.10.2007	SCALE 1:10	DRG. NO. VL39-5073-04Rev	REV.
DESIGNER U. Kähtävä	APPROVED J.-P. Sampola		

These documents must not be copied without our written permission. If you have any questions, please contact us.