
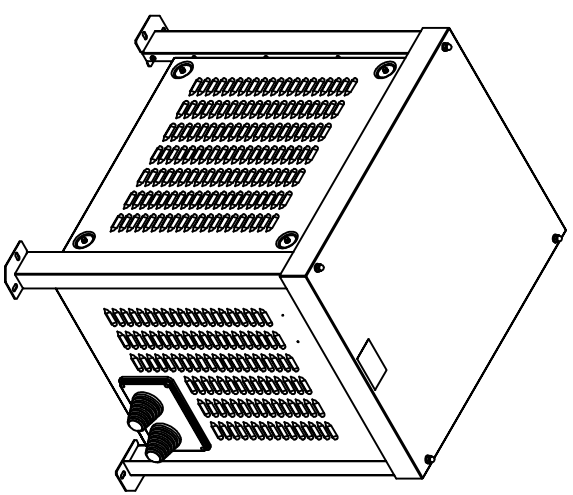
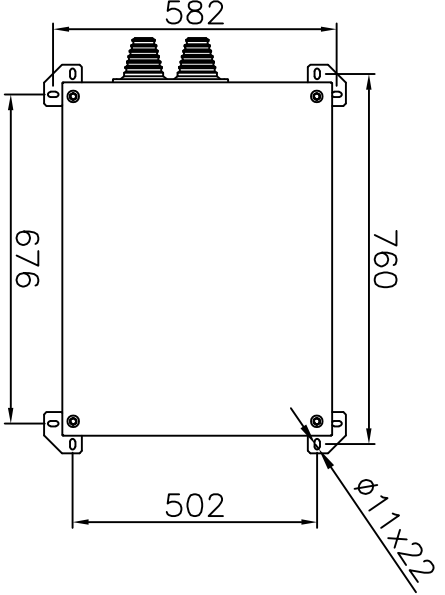
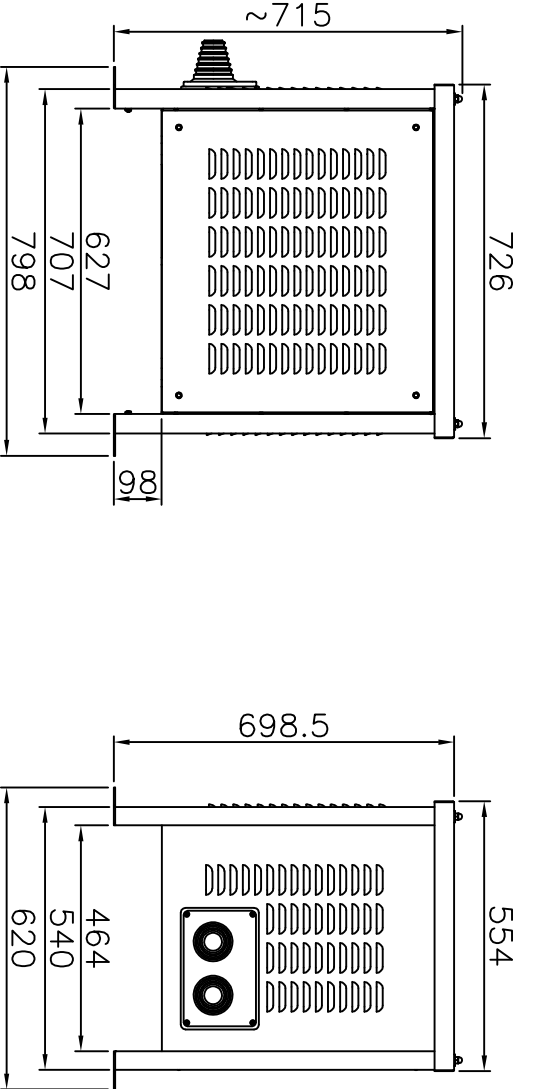


additional informations:  
 filter colour : RAL5008 / R9006  
 filter weight : 160kg


label:

<b>VLT</b> MCC 101 sine wave FILTER		www.dantoss.com		MCC 101 sine wave FILTER	
Type: MCC 101 sine wave FILTER		S/N: 000168-186		MCC 101 sine wave FILTER	
Voltage: 690V		50/60Hz max. 100%HD		Circuit: OC-20A/F	
Current: 115A @20Hz		100A @90Hz		Power: 150W	
Material: Al-25		Thick: 45/0115mm		Temperature: 120°C	
Part number: 130B4119000168-186		Barcode: 		Terminal: 6x 120mm	
Use only with a type 1 or type 2 SPD overvoltage sensitive device		E: 23.8023		F: 10020537.2	
F: 10020537.2		F: 10020537.2		F: 10020537.2	
EN 61038		EN 61038		EN 61038	
CE		CE		CE	



d 08.05.16	Schr./Fe.	typelabel updated, Dantoss Postaddress included
c 10.11.14	Schr./Fe.	typelabel updated
b 11.03.13	Schr./Kor.	typelabel updated
a 01.10.10	KOR/ Lauer	approval added
date	name	amendment

Dimensions toleranced according to ISO 2768-m						
Tolerance class	0.5 to 3	from 3 to 6	from 6 to 30	from 30 to 120	from 120 to 400	from 400 to 1000
m (middle)	±0.1	±0.1	±0.2	±0.3	±0.5	±0.8

drawn	01.06.10	Kornau	Kornau	scale	1:12,5
checked	01.06.10	Bremer	Bremer	format	A4
date		name	signature	DIN ISO 5456	

Dimensions B 1002053.2  
 sine-wave filter 690V 115A – IP23

order number	130B4119	drawing number	Z791004037	modi.	d	sheet	1/1
Please observe protection clause to ISO 16016							

1 2 3 4 5 6 7 8