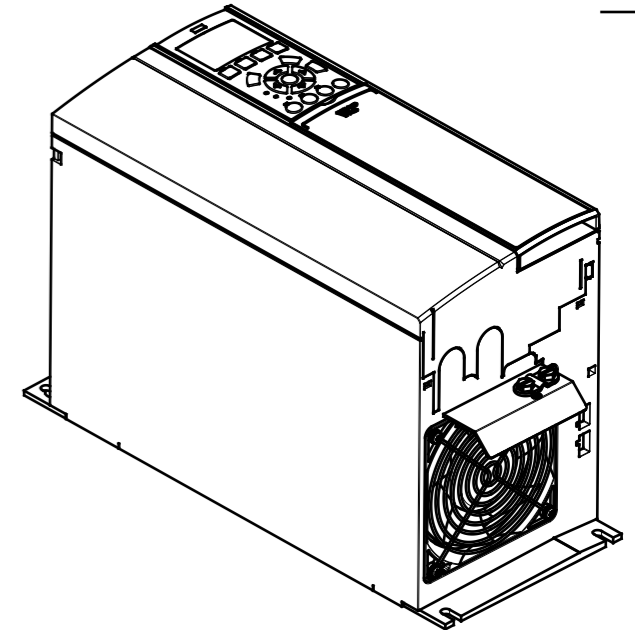
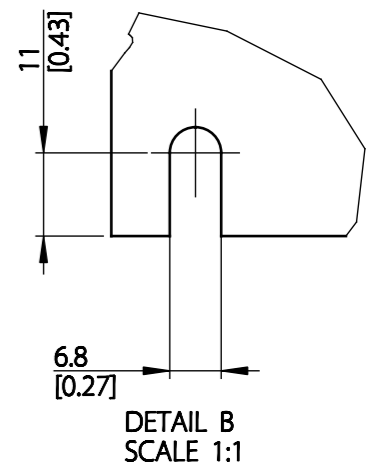
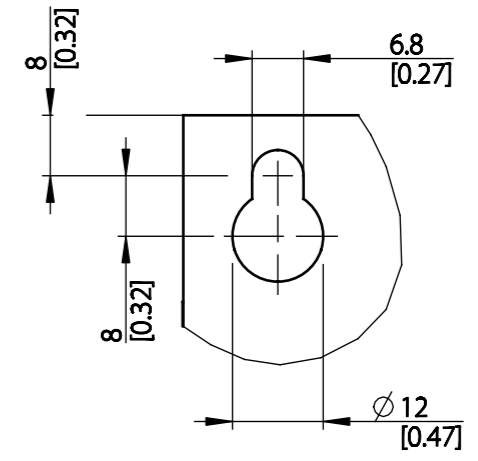
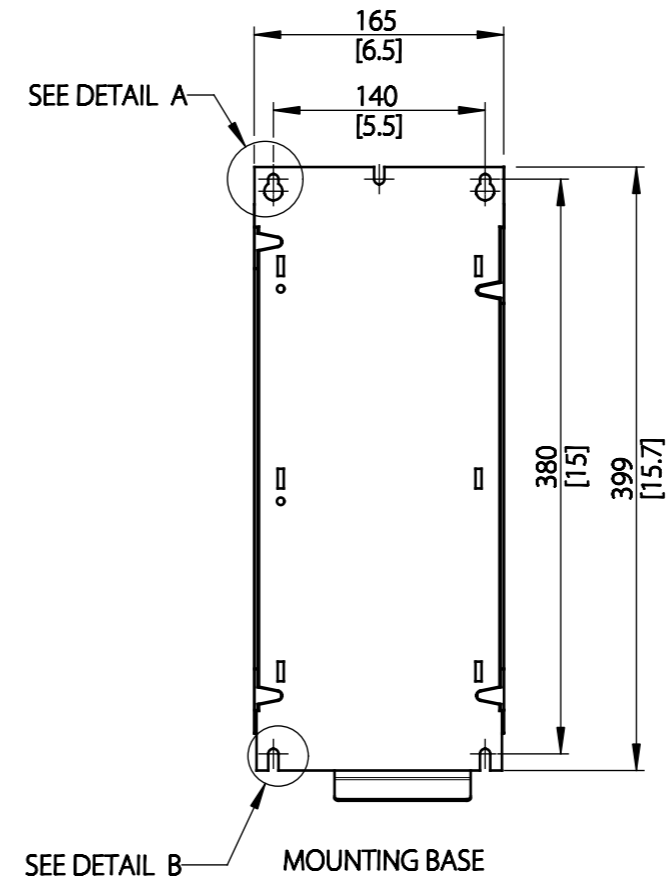
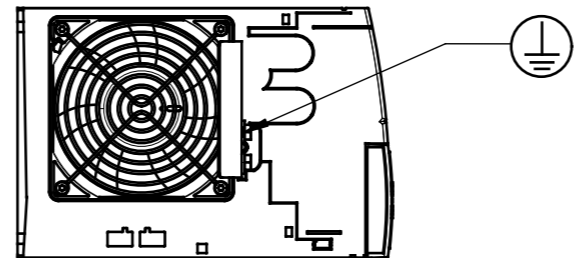
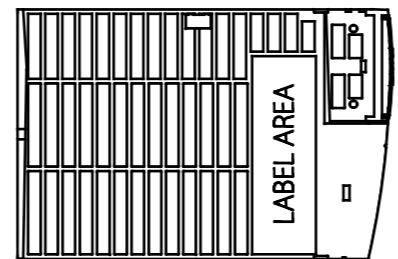
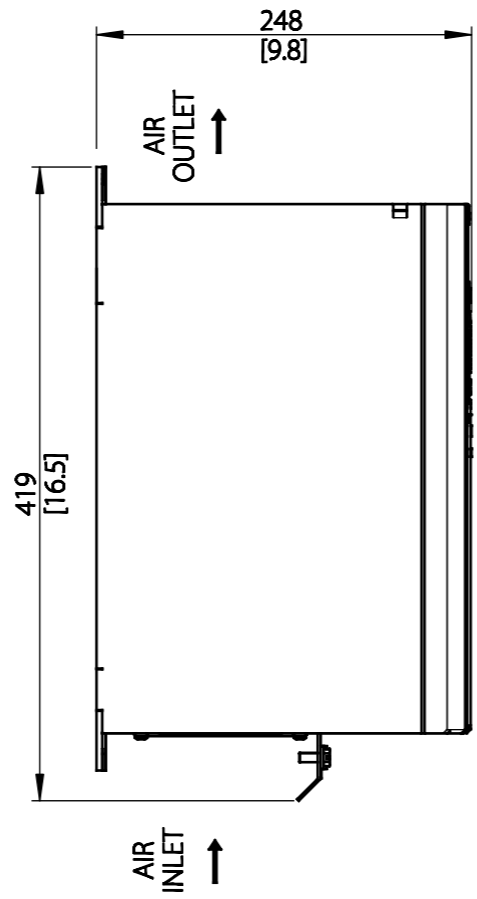
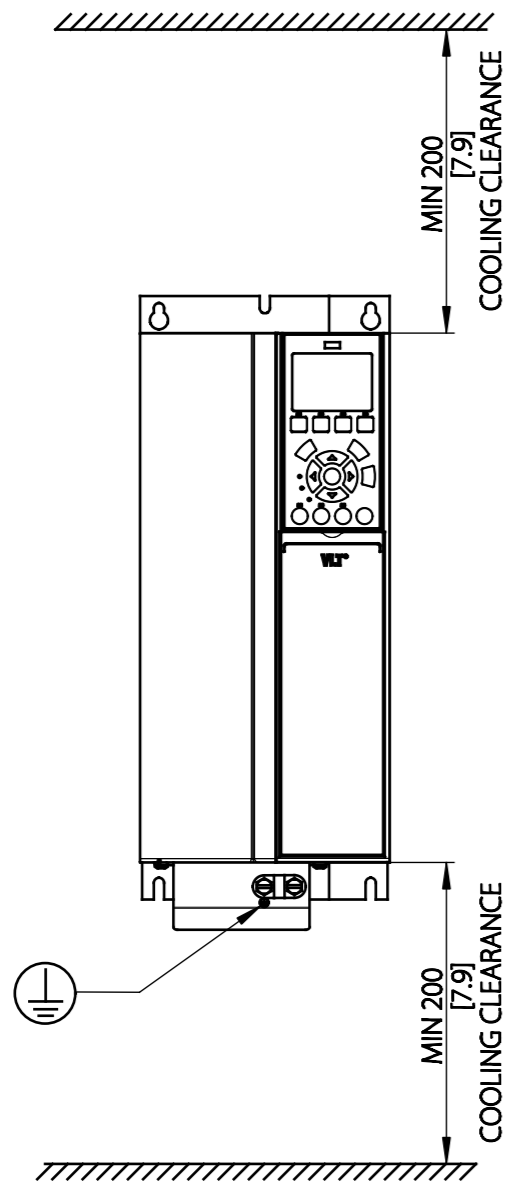


Type	Value
Max Weight	12 kg / 26.5 lb
IP Class	IP20
Nema Class	Chassis



THIS DRAWING SHOWS THE MOST COMMON VERSION OF THIS PRODUCT VARIANT.
SMALL DIFFERENCES MAY OCCUR DEPENDING ON THE FINAL PRODUCT CONFIGURATION.

● CENTER OF GRAVITY:
FOR REFERENCE ONLY, THE PRODUCT CONFIGURATION MAY INFLUENCE THE CG IN ALL THREE AXES.

UNLESS OTHERWISE SPECIFIED THE TOLERANCE IS ± 1 MM [0.4 INCH]. ALL DIMENSIONS ARE IN MILLIMETERS [INCH]			FIRST ANGLE PROJECTION	SCALE	DRAWING SIZE	MATERIAL	
				1:5	A3		
					FINISH		
					DESCRIPTION		
					MCAD B3 IP20		
CHANGED					DRAWING NUMBER		
DESIGNED	Danfoss	27-11-2015			MCAD-B3-IP20		REV
CHECKED					MCAD-B3-IP20		001
PROPERTY OF DANFOSS A/S NORDBOG, DENMARK. TWO OR THREE DIMENSIONAL REPRODUCTION OF CONTENTS TO BE AUTHORIZED BY DANFOSS A/S.			MODEL		SHEET		
			MCAD-B3-IP20		1 OF 1		