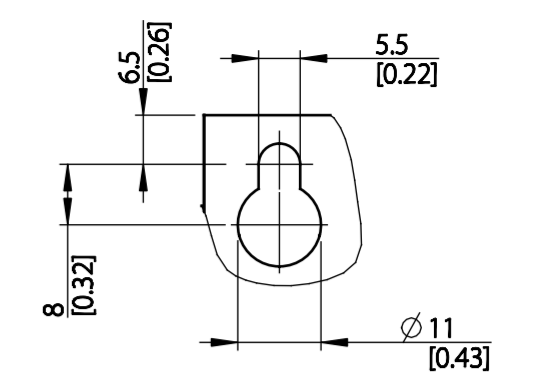
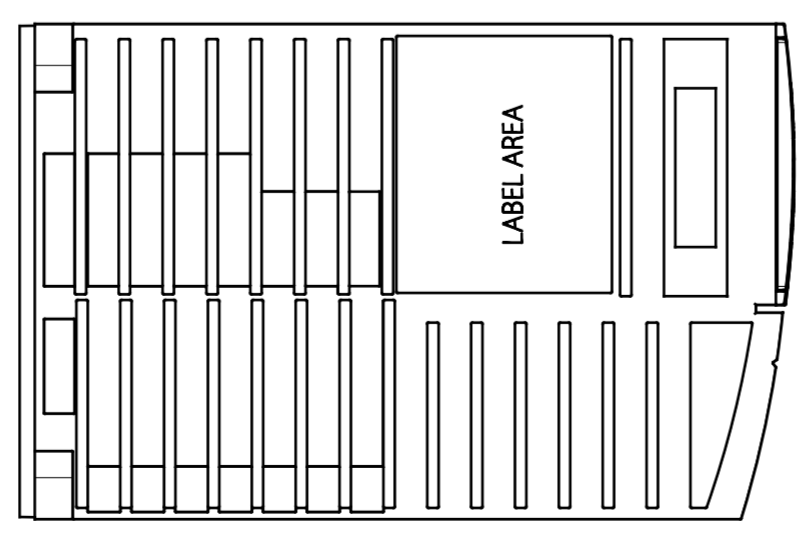
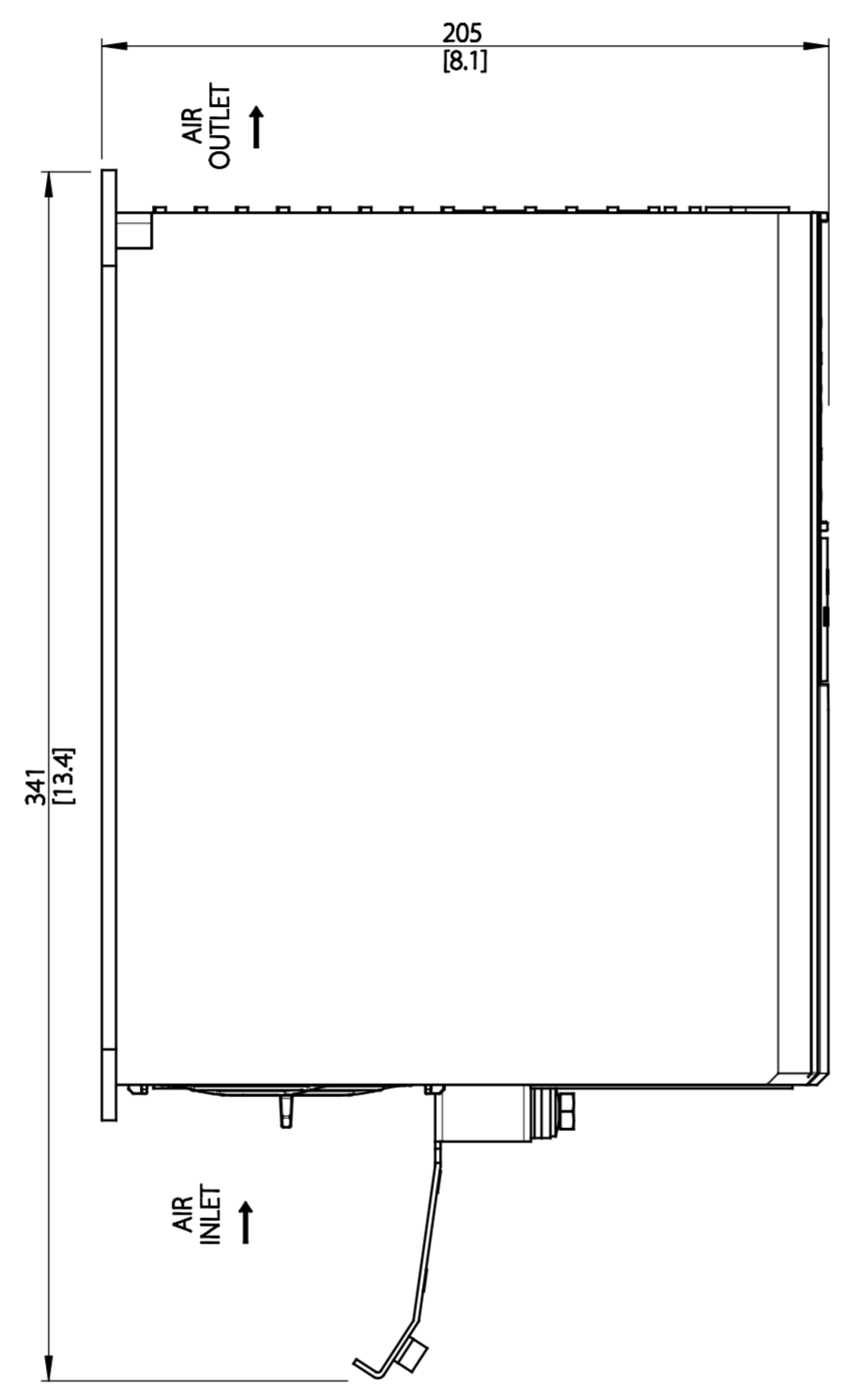
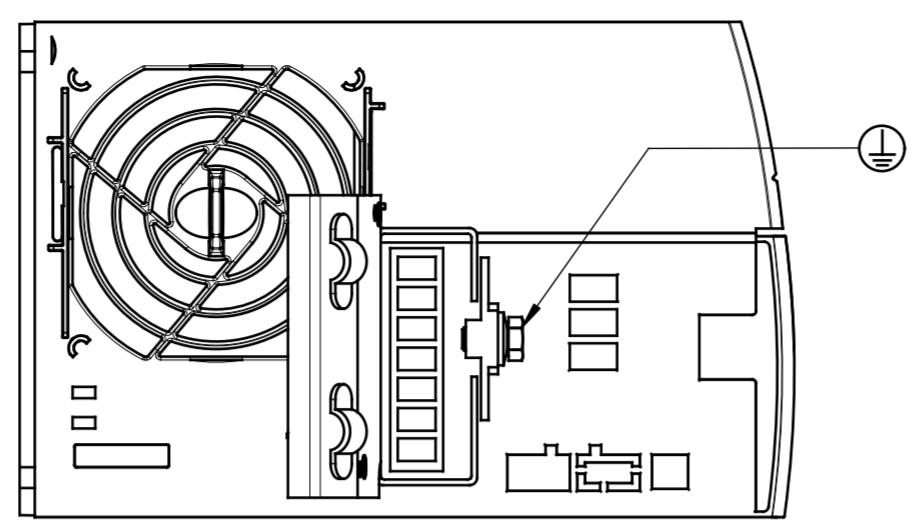
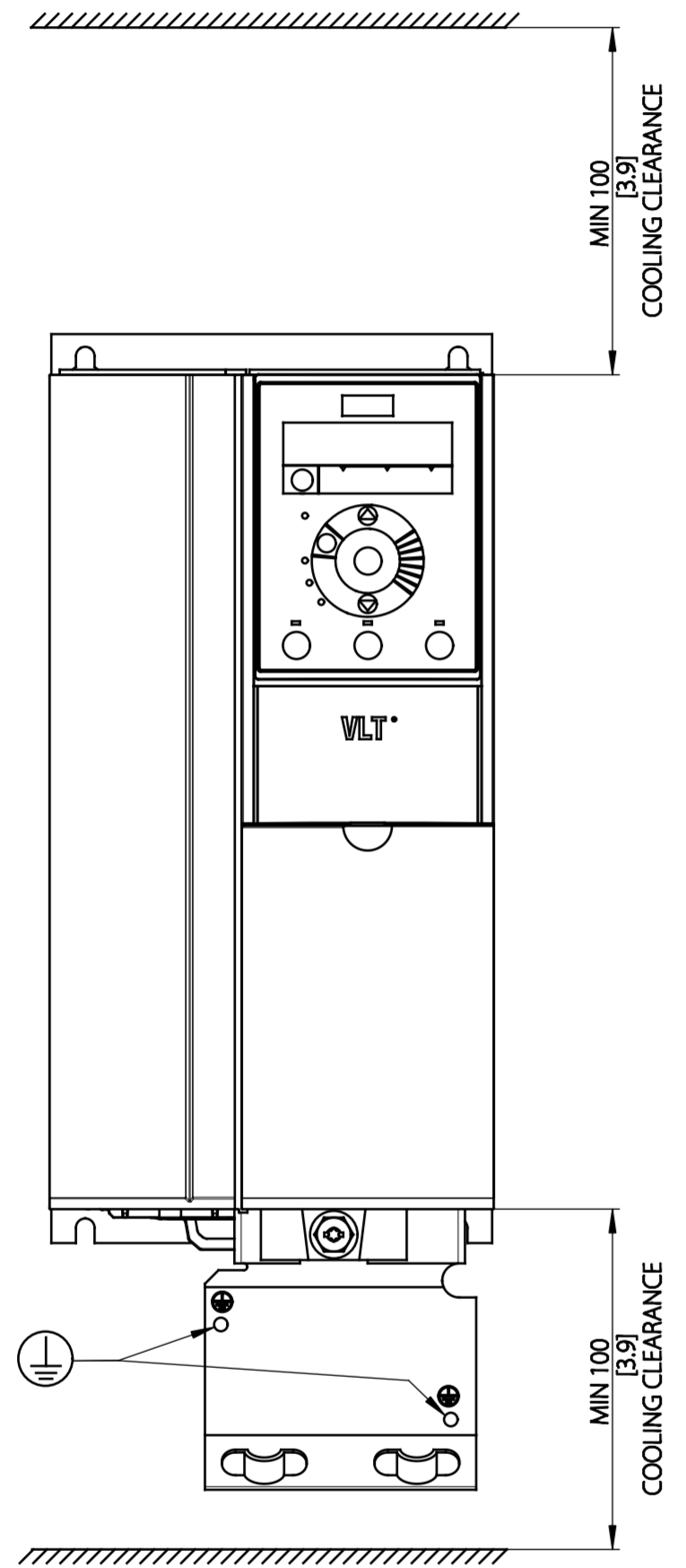
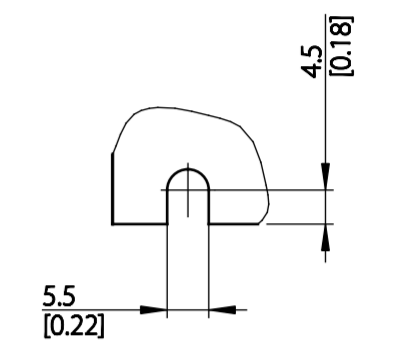


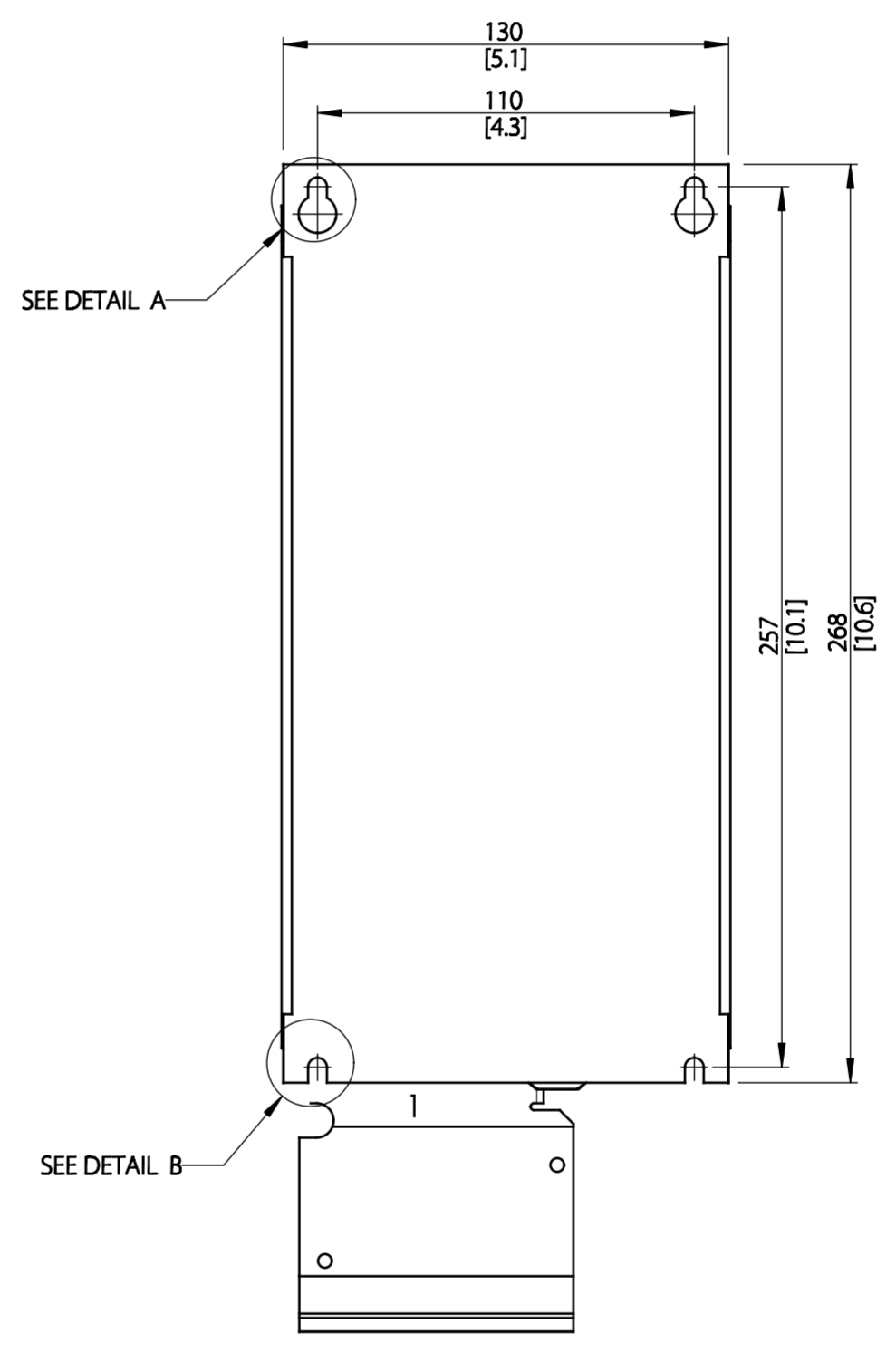
Type	Value
Max Weight	6.6 kg / 14.6 lb
IP Class	IP20
Nema Class	Chassis



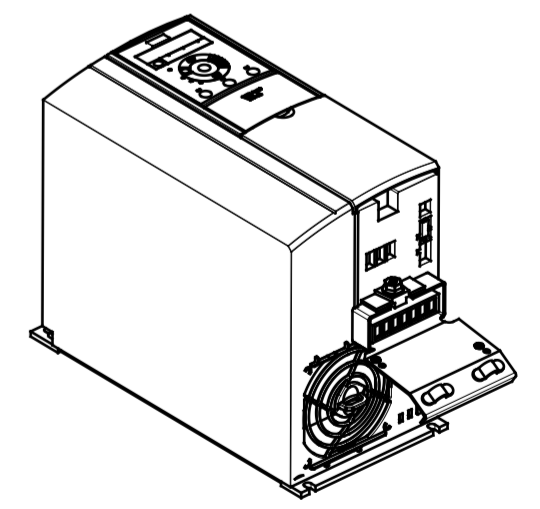
DETAIL A  
SCALE 1:1



DETAIL B  
SCALE 1:1



MOUNTING BASE



THIS DRAWING SHOWS THE MOST COMMON VERSION OF THIS PRODUCT VARIANT.  
SMALL DIFFERENCES MAY OCCUR DEPENDING ON THE FINAL PRODUCT CONFIGURATION.

● CENTER OF GRAVITY:  
FOR REFERENCE ONLY, THE PRODUCT CONFIGURATION MAY INFLUENCE THE CG IN ALL THREE AXES.

UNLESS OTHERWISE SPECIFIED THE TOLERANCE IS ±1MM [0.4 INCH]. ALL DIMENSIONS ARE IN MILLIMETERS [INCH]		FIRST ANGLE PROJECTION	SCALE	DRAWING SIZE	MATERIAL
			1:2	A2	FINISH
		DESCRIPTION			
		MCAD H9 IP20			
CHANGED					
DESIGNED	DANFOSS	27-11-2015			
CHECKED					
PROPERTY OF DANFOSS A/S NORDBOG, DENMARK. TWO OR THREE DIMENSIONAL REPRODUCTION OF CONTENTS TO BE AUTHORIZED BY DANFOSS A/S.		DRAWING NUMBER		MCAD-H9-IP20	REV 001
		MODEL		MCAD-H9-IP20	SHEET 1 OF 1

