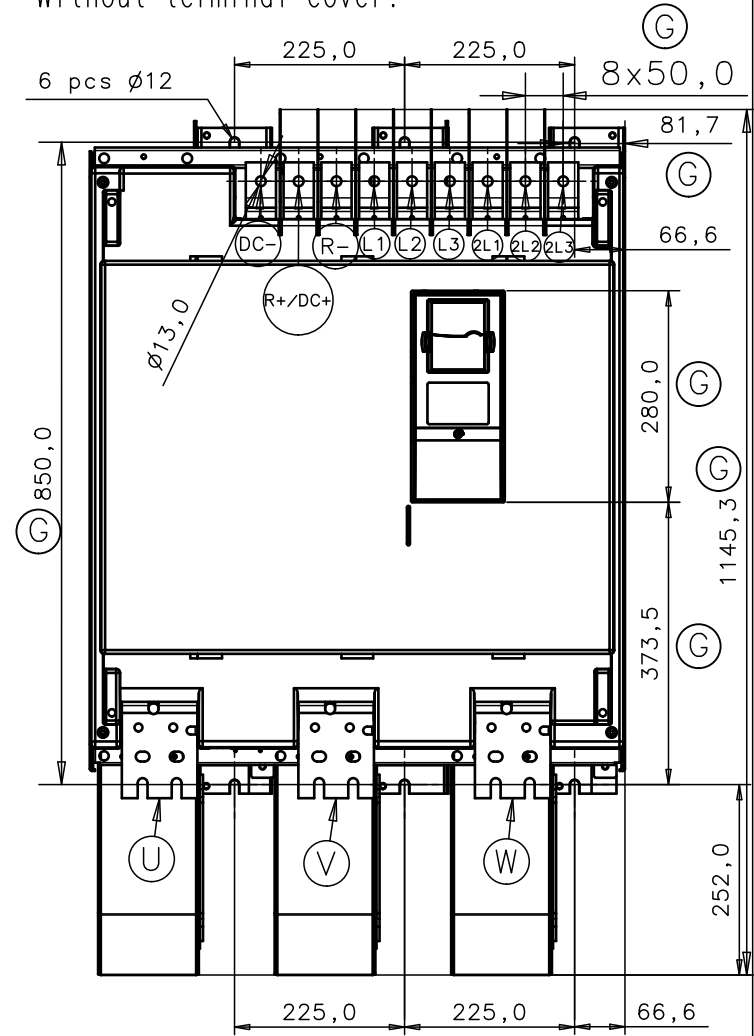
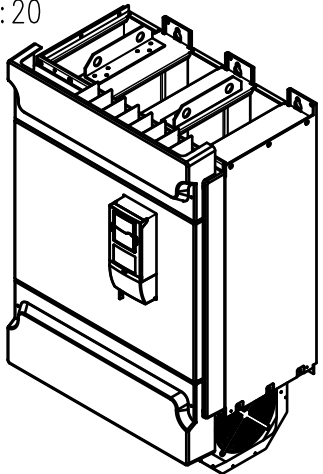


Without terminal cover:



1:20



**Vacon OYj**  
 Runsrintie 7  
 65380 VAASA Tel.: +358 (0)201 2121  
 FINLAND Fax.: +358 (0)201 212207  
 www.vacon.com

DRAWN 03.06.2004 MiKo  
 APPROVED  
 SCALE 1:10 PROJ

NOTE  
 NAME FR11 Mittapiirustus  
 FR11 dimension drawing

FILE  
 SHEET 1/1  
 DRAWING NO FR11900  
 REVISION G