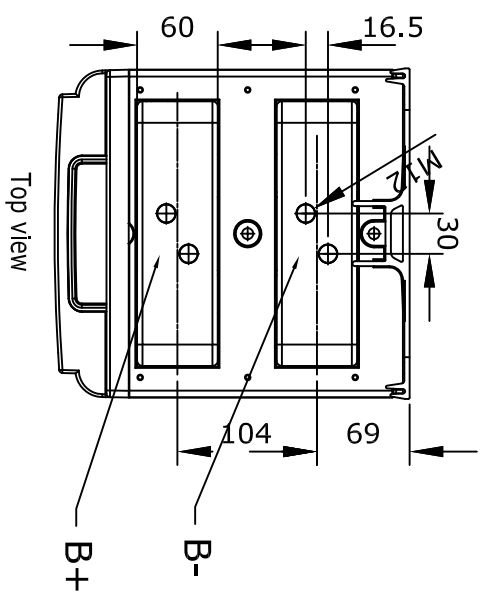
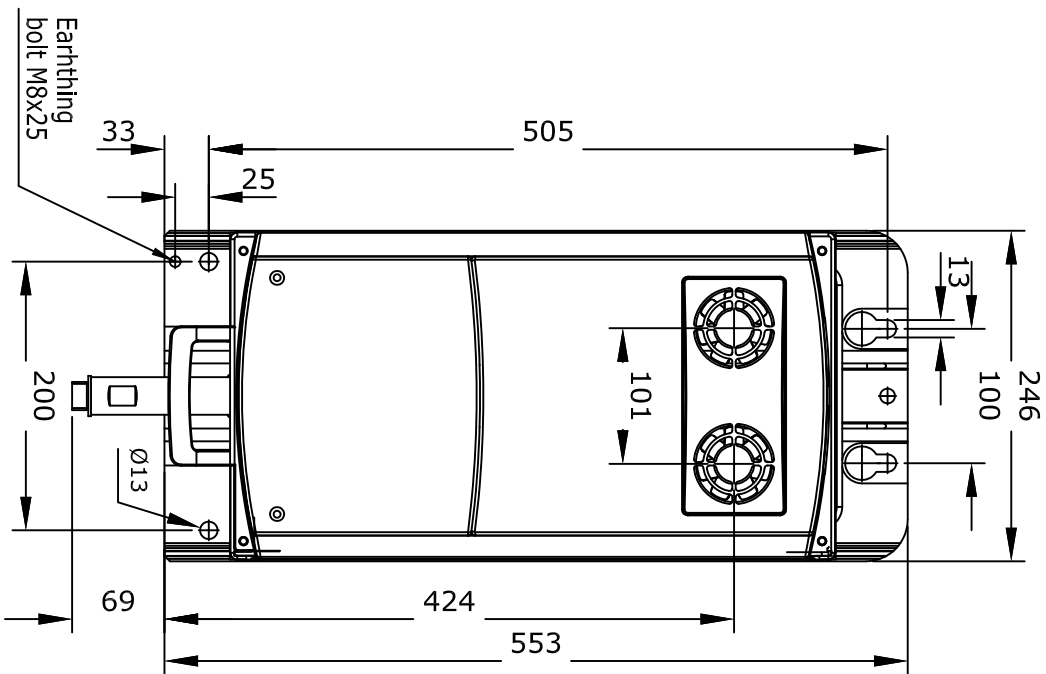
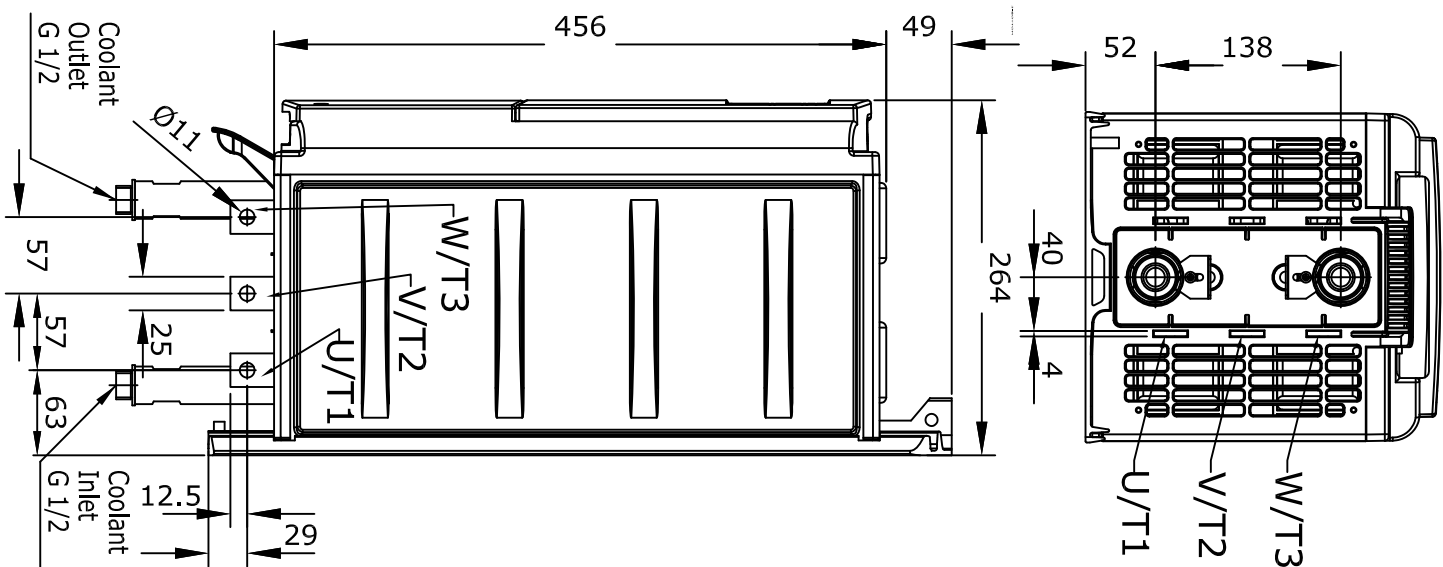
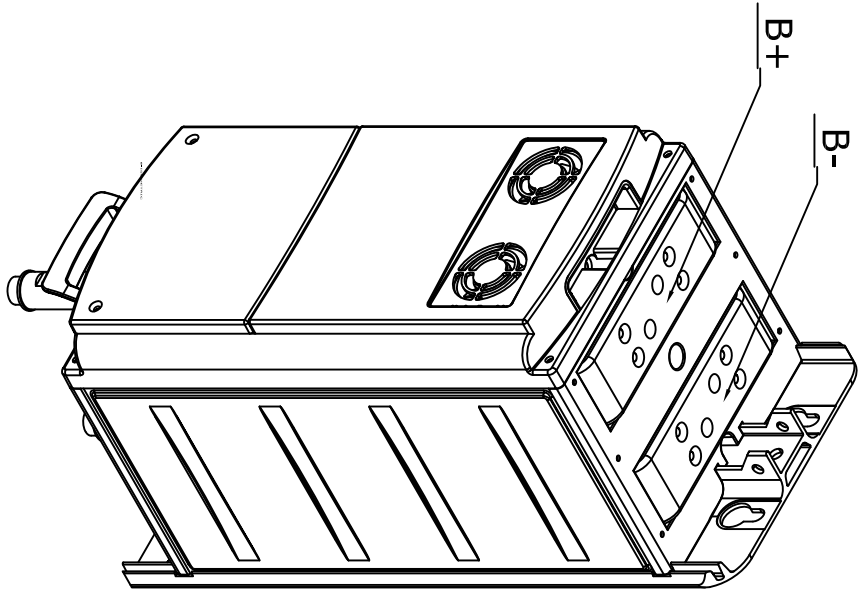


C; Terminal and cooling connection information added

D; Dimensions updated

A B C D E F

1 2 3 4 5 6 7 8



A B C D E F

VACON
DRIVEN BY DRIVES

Material
Mass

Title
Dimension Drawing
CH5 INU

Prepared M. Pussinen / 24.02.05
Checked
Approved Vacon Oyj

Vacon ID-nr:
Tolerance
Doc. no.
FW59002

Based on:
Scale
Revision
D

Sheet
Cont. 1

