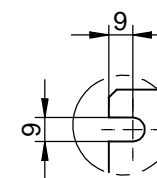
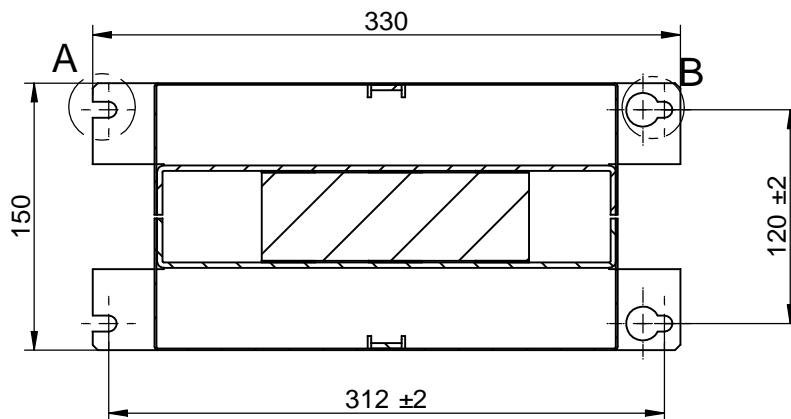
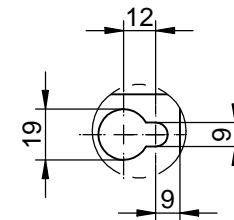


sectional view A-A

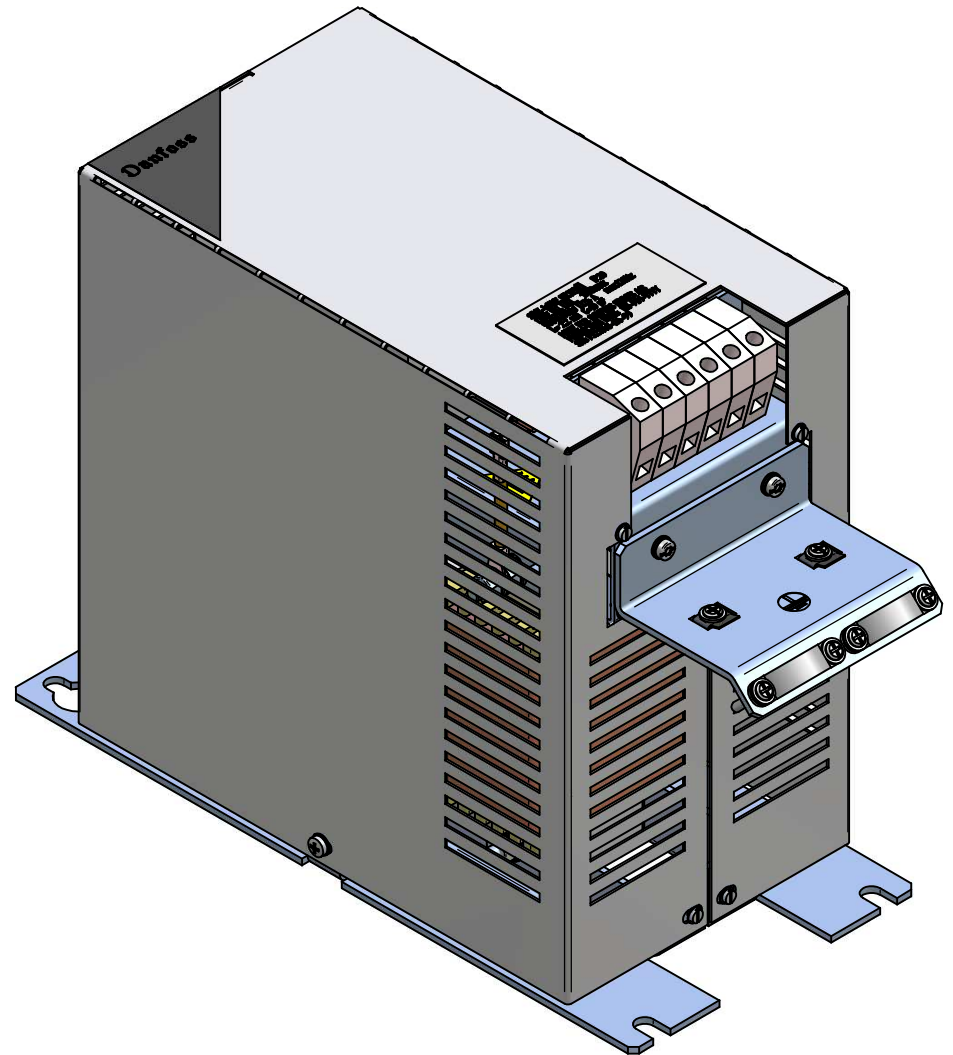
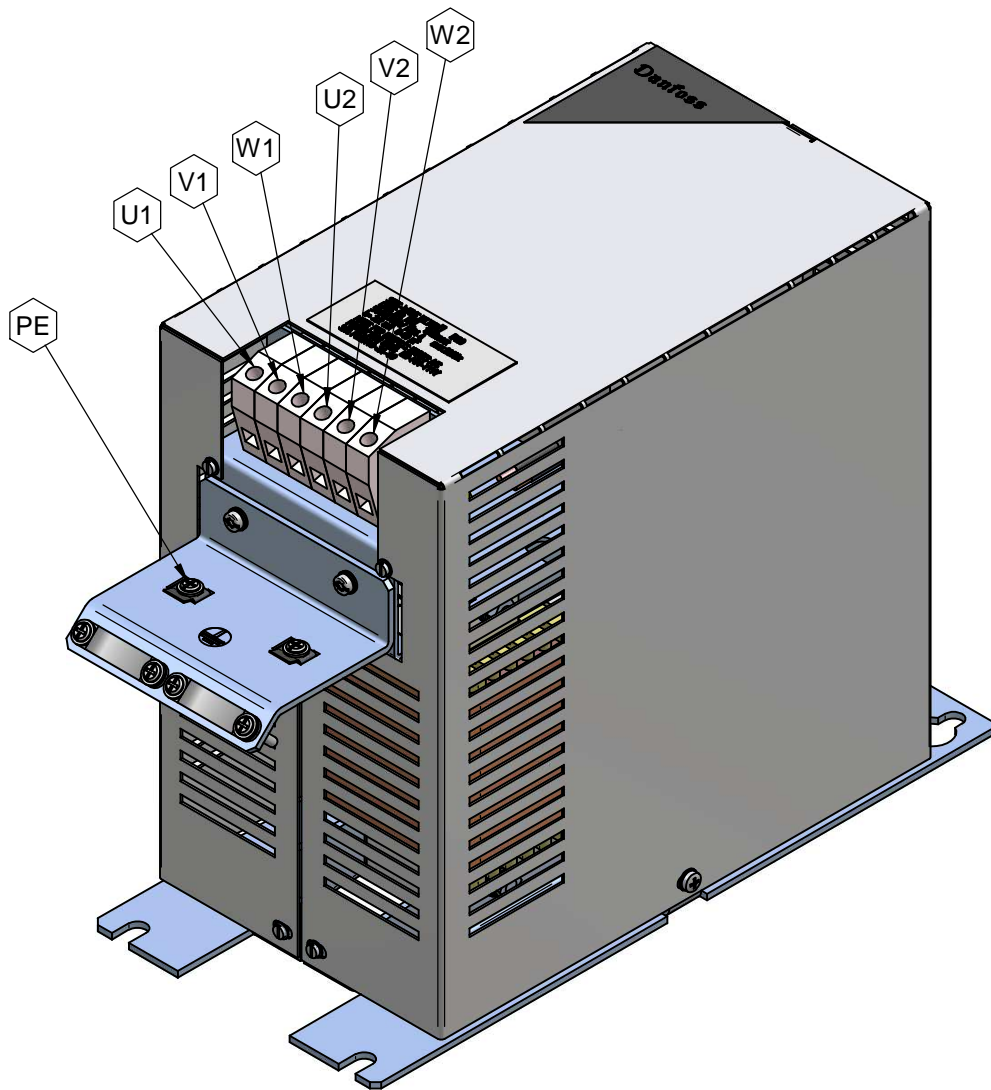


detail A



detail B

<small>"This document may not be duplicated without our written authorization. To not be handled over its copied or used by third party. Two- or three-dimensional reproduction of contents to be authorized."</small>				<small>Dimensions without tolerance statement against DIN ISO 130205</small>		projection 	scale: 1:5 DIN A3	weight: 16,9 kg
H	Modified after noise problem	03.03.2008	Ger.		date	name	description: sine wave filter 24A L=2,4mH Cy=10µF 130B2447 FS21148-24-99	
G	cable mounting	24.01.2008	Mes.	plot	07.12.2005	Mestermann		
F	tab in the corner added	07.01.2008	Mes.	che.	08.12.2005	Stitz		
E	ring pins housing cable mounting	10.04.2007	Mes.	DIN				
D	housing changed	15.01.2007	Mes.					
C	stamp altered	21.08.2006	Mes.					
B	cable mounting (rechanged)	17.07.2006	Mes.					
A	chamber added	14.12.2005	Mes.					
num.	modification	date	page	dev. for:	dev. by:	CAD-File 2_2mh_24a-100.dft		



<small>*This document may not be duplicated without our written authorization. To not be handed over to, copied or used by third party. Two- or three-dimensional reproduction of contents to be authorized.</small>				<small>Dimensions without tolerance statement against DIN ISO 13920</small>		projection 	scale: 1:5 DIN A3 weight: 16,9 kg
H	Modified after noise problem	03.03.2008	Ger.		date	name	description: sine wave filter 24A L=2,4mH Cy=10µF 130B2447 FS21148-24-99
G	cable mounting	24.01.2008	Mes.	plot	07.12.2005	Mestermann	
F	tab in the corner added	07.01.2008	Mes.	che.	08.12.2005	Slitz	
E	ring pins housing cable mounting	10.04.2007	Mes.	DIN			
D	housing changed	15.01.2007	Mes.				
C	stamp altered	01.08.2006	Mes.				
B	cable mounting (rechanged)	17.07.2006	Mes.				
A	chamber added	14.12.2005	Mes.				
num.	modification	date	page	dev. for:	dev. by:	CAD-File: 2_2mh_24a-100.dft	