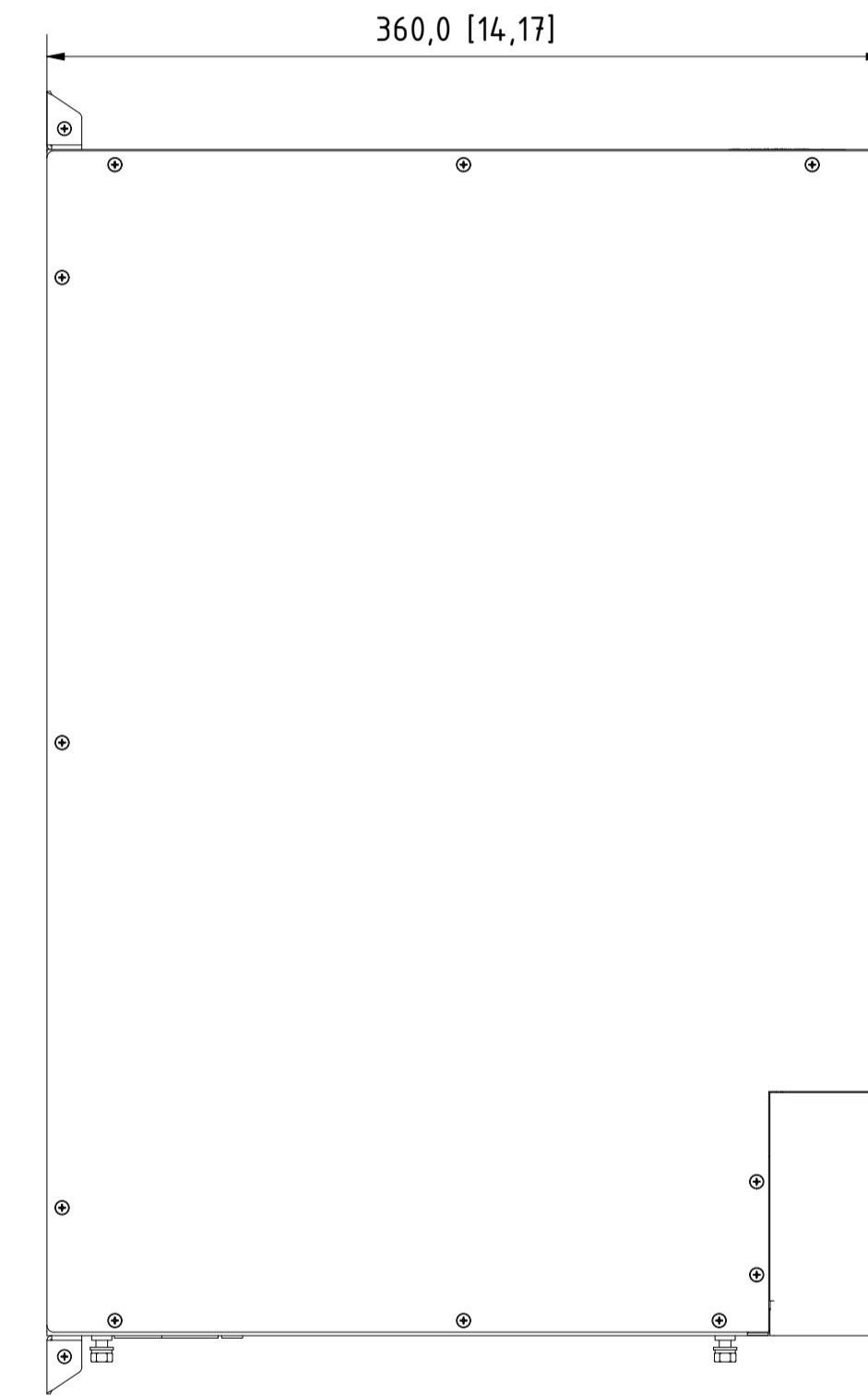
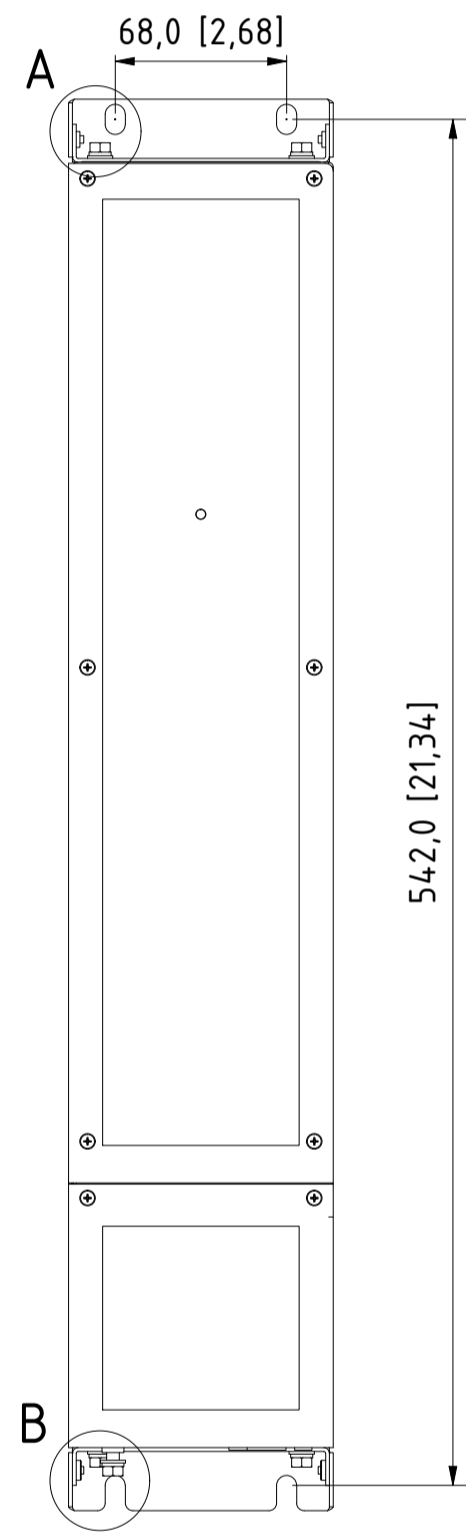
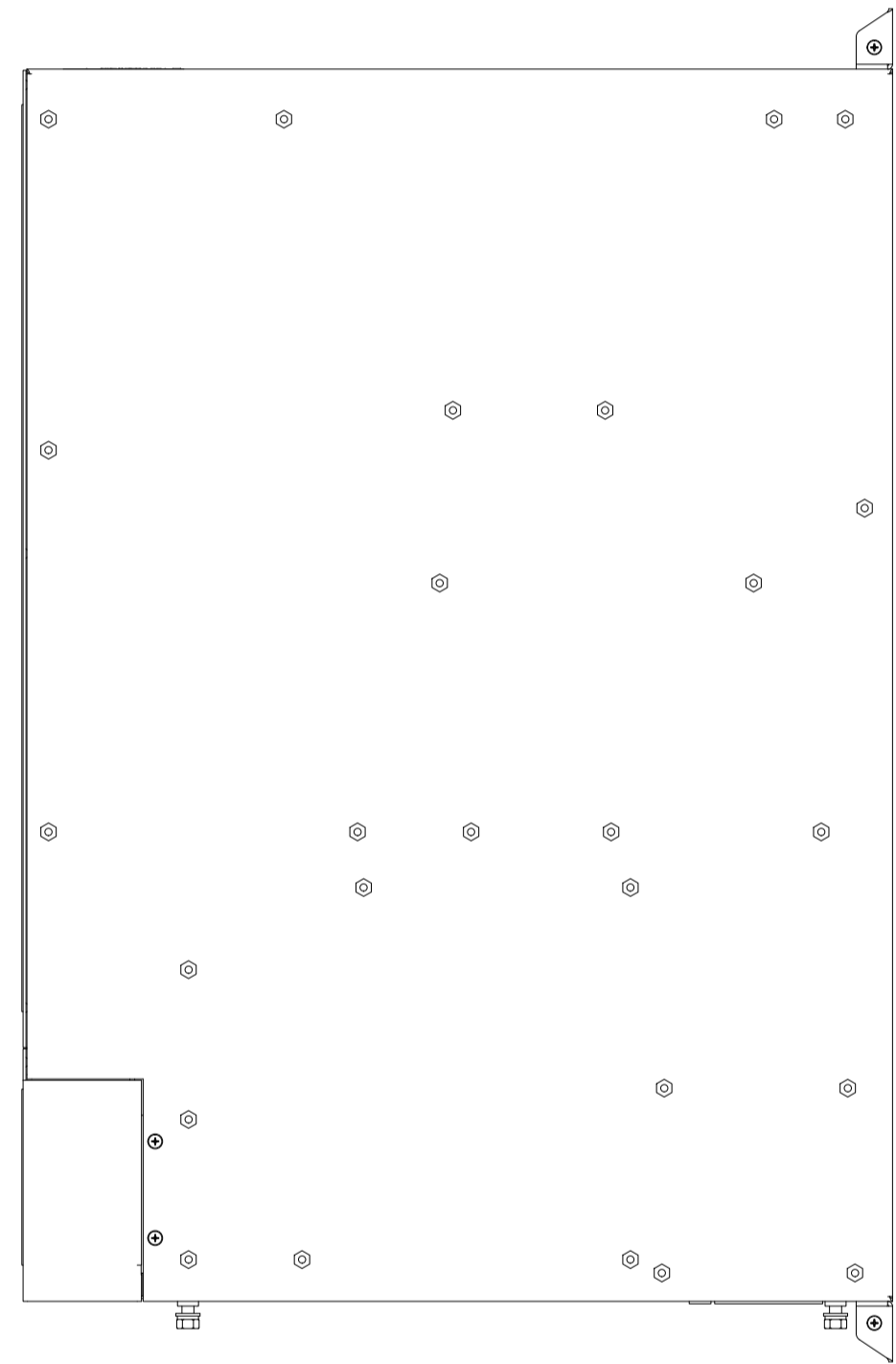
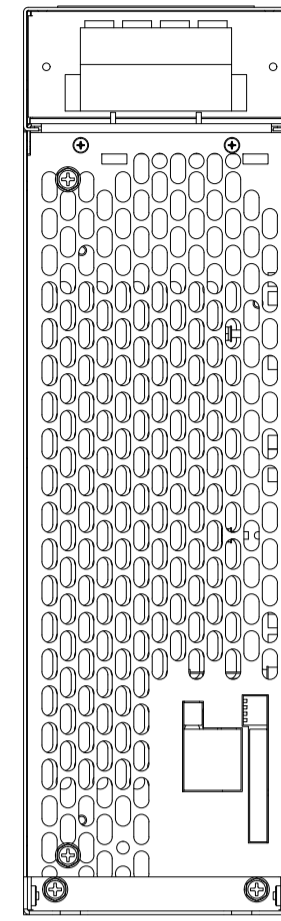


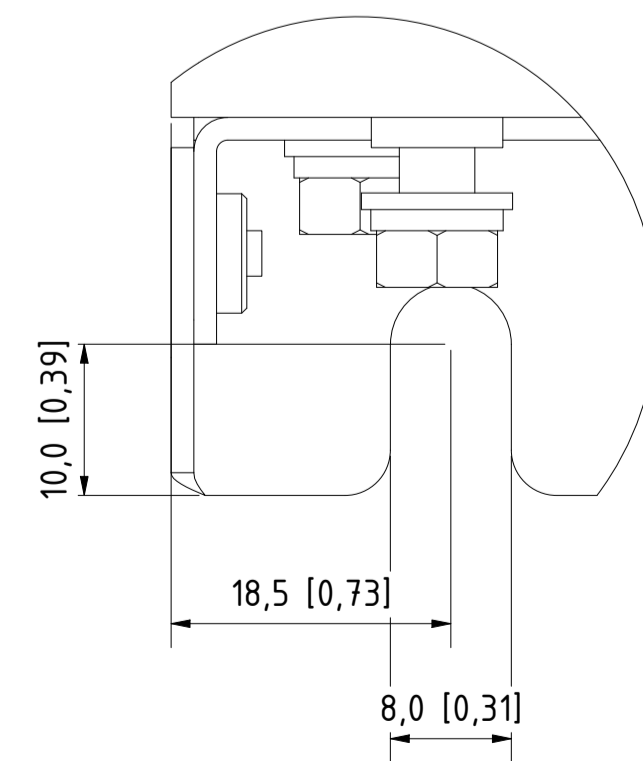
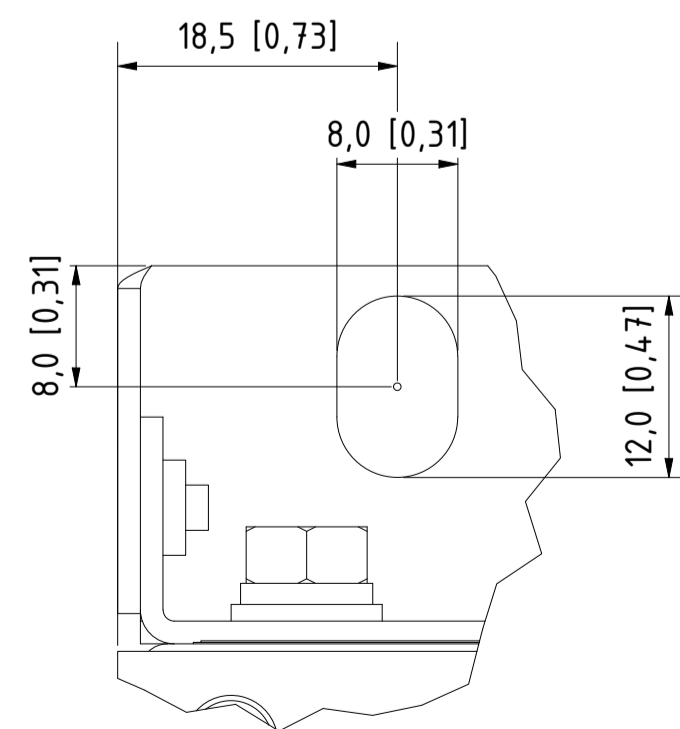
12 11 10 9 8 7 6 5 4 3 2 1

Type	Value
IP Class	IP20
UL Type	Open
Enclosure Colour	grey
Frame Size	AAF 2



A (2 : 1)

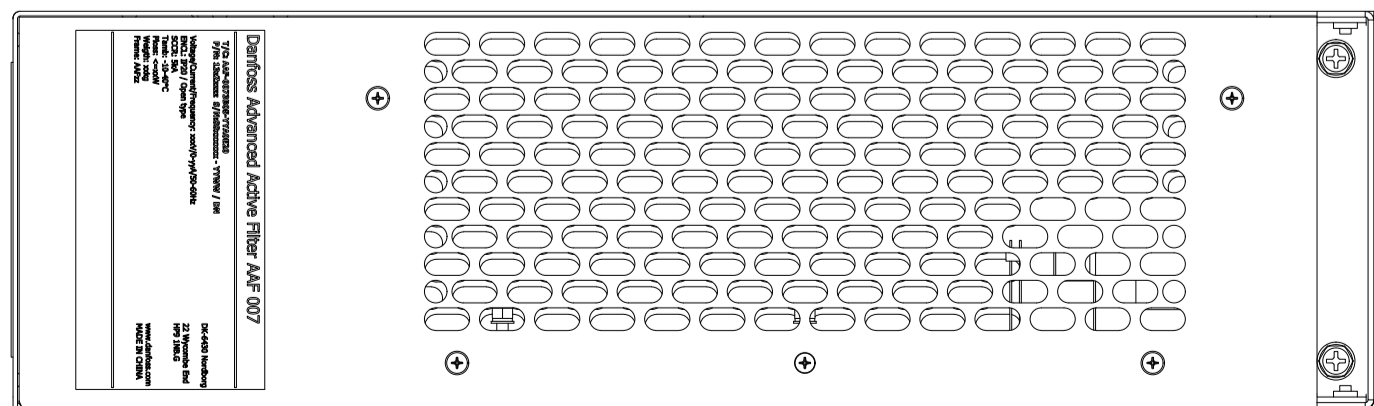
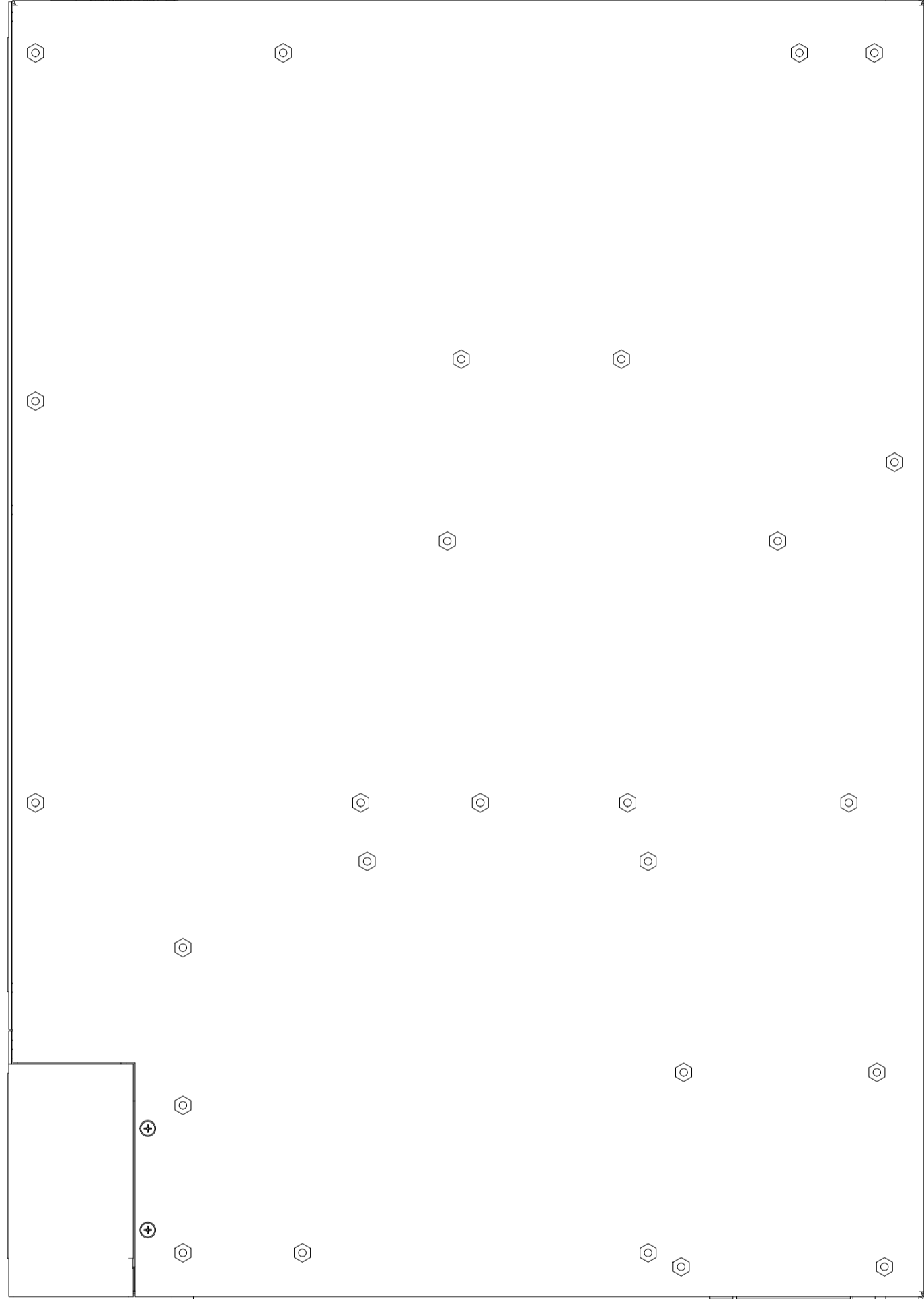
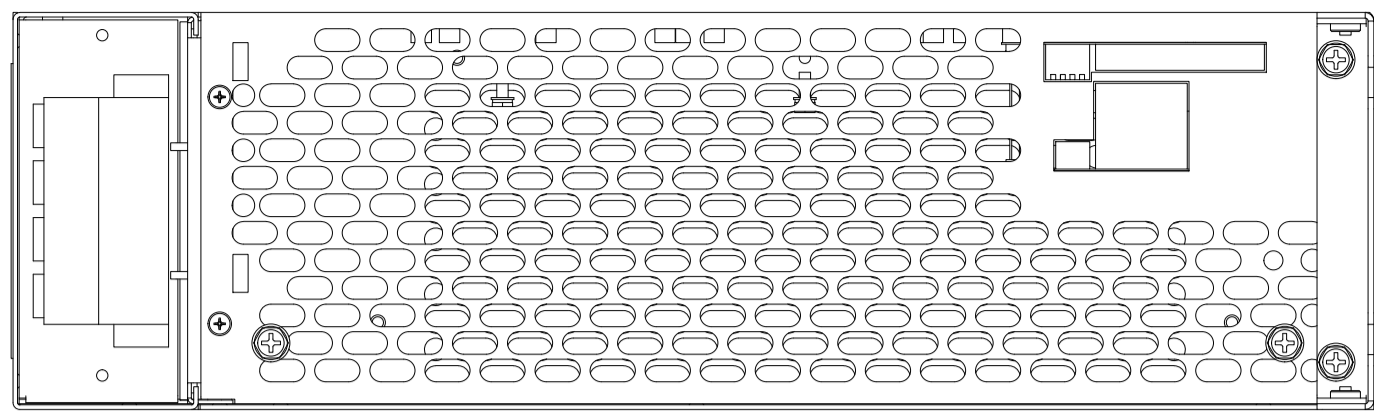
B (2 : 1)



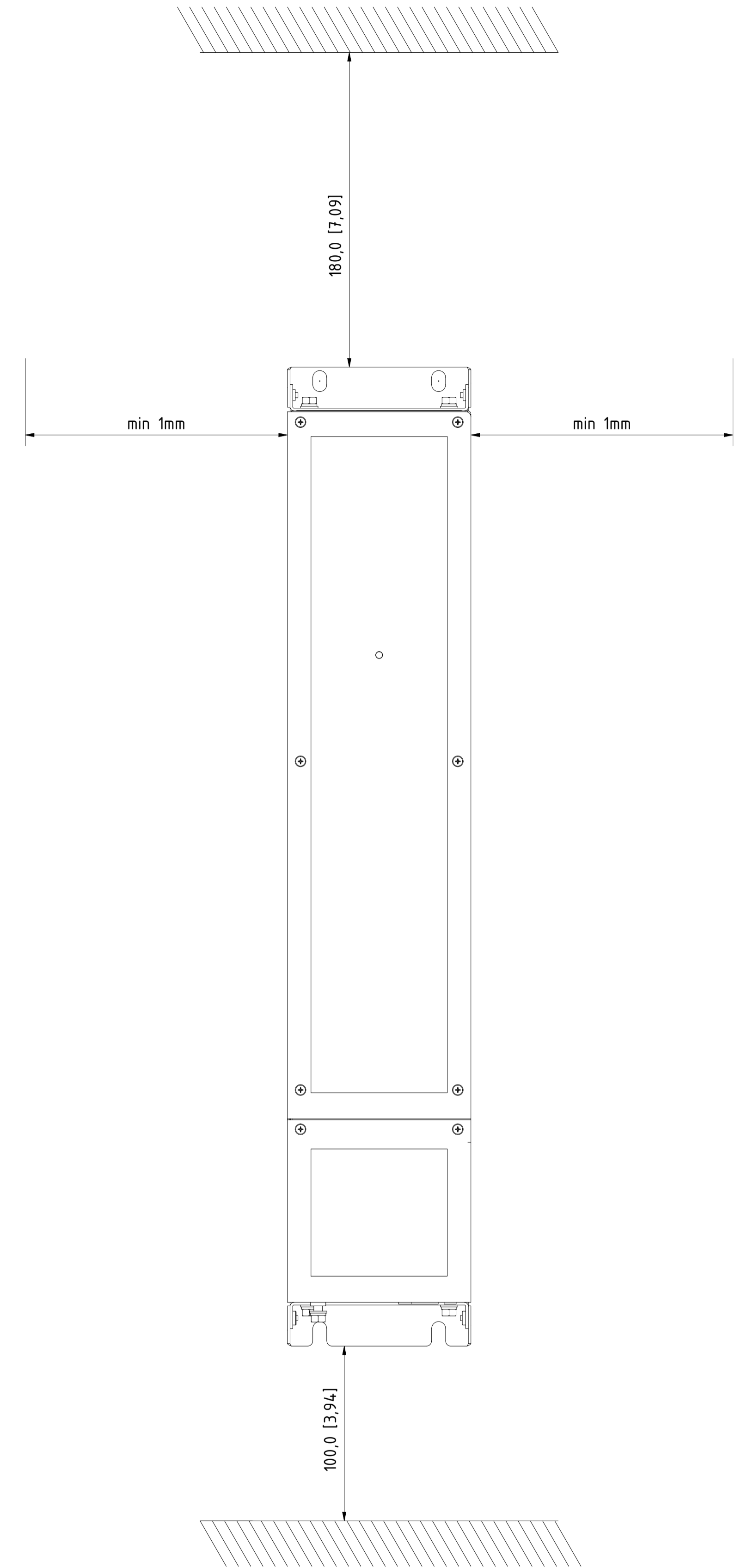
Dimension [mm]	Tolerances				
	<250	250>x>800	>800	parts in series	folded parts
Tolerance [mm]	+/-1	+/-2.5	+/-4	+/-2.5	+/-2.5

ALL DIMENSIONS ARE IN MILLIMETERS (INCH)		Projection	Scale		
			1:3		
	DATUM	Name			
	Gezeichnet 2022-10-13	FR			
	Kontrolliert		AAF01		
	None				
			136c0109		
				REV	001
				Size	A1
Status	Änderungen	DATUM	Name	Sheet 1 of 5	
				2	1

12 11 10 9 8 7 6 5 4 3 2 1

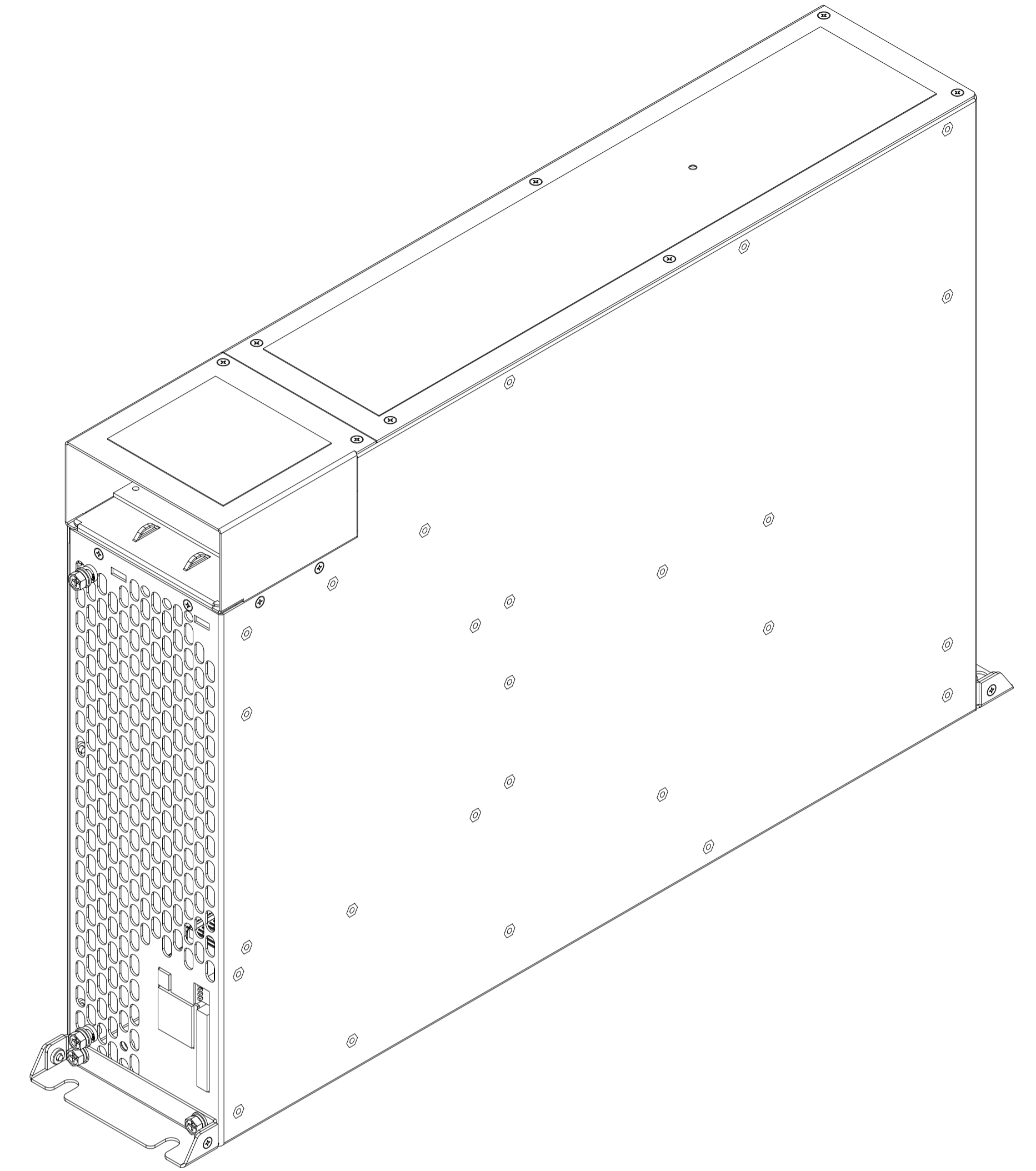
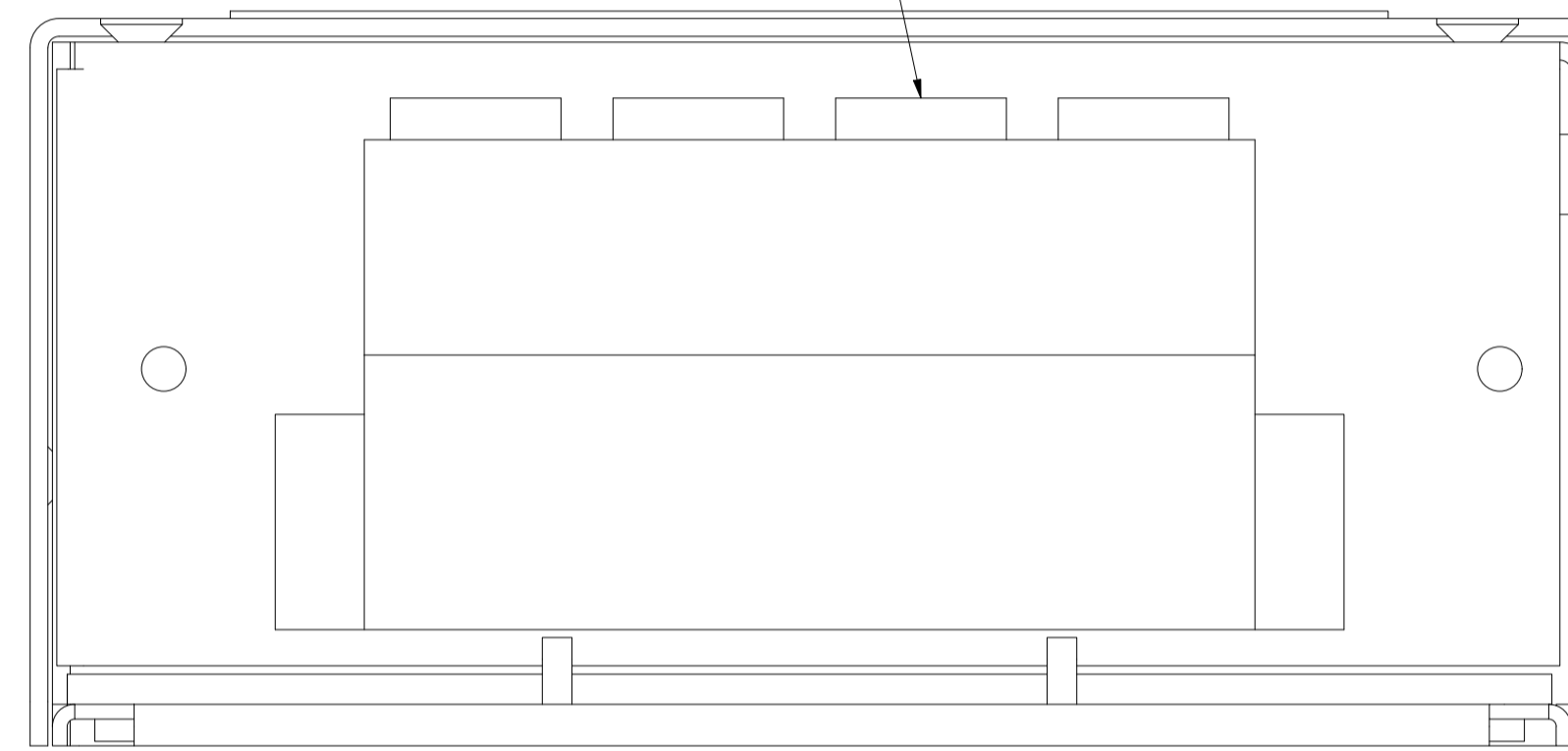


Mounting wall

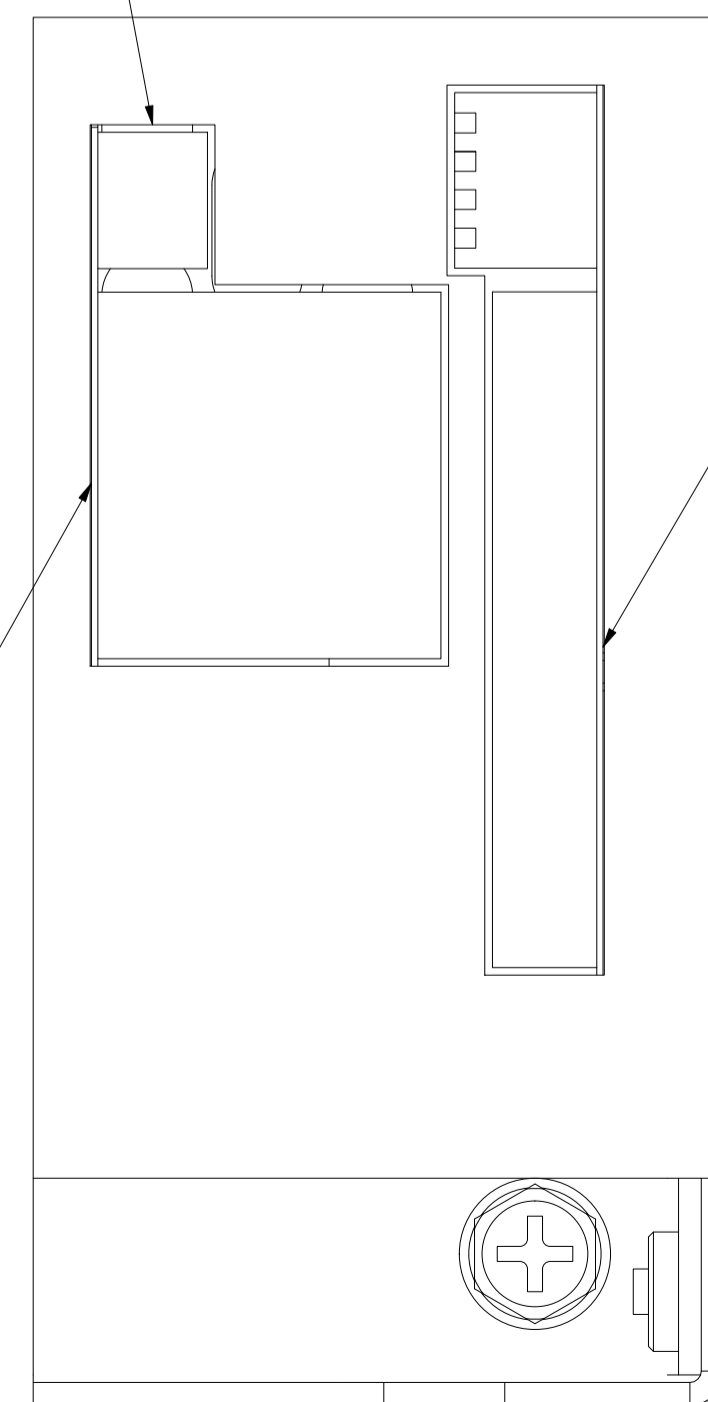


ALL DIMENSIONS ARE IN MILLIMETERS (INCH)		Projection	Scale		
			2:1		
Gezeichnet	DATUM	Name			
Kontrolliert	2022-10-13	FR	AAF01		
Name					
			136c0109		REV 001
Status	Änderungen	DATUM	Name	Sheet 2 of 5	

Mains Terminal L1,L2,L3,N
 Tool Slot 8x2mm Torque 2.5-3.0Nm wire cross section 25mm²



EPO Terminal 1,2
 Tool Slot 2mm Torque 0.8Nm wire cross section 1mm²



CT Terminal A,B,C,GND
 Tool Slot 2mm Torque 0.8Nm wire cross section 2.5mm²

Control Terminals
 Tool Slot 2mm Torque 0.8Nm wire cross section 1mm²

ALL DIMENSIONS ARE IN MILLIMETERS (INCH)		Projection	Scale 1:2	
		DATUM	Name	
		Gezeichnet 2022-10-13 FR		
		Kontrolliert		AAF01
		Name		
				136c0109
				REV 001
				Size A1
Status	Änderungen	DATUM	Name	Sheet 3 of 5