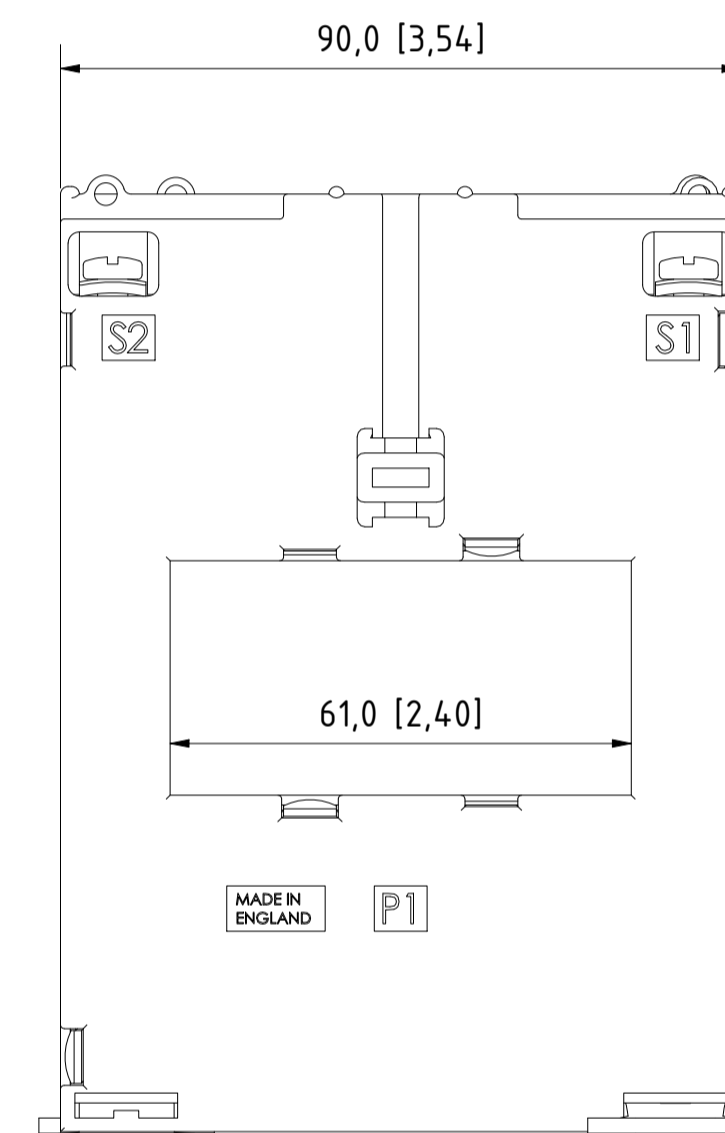
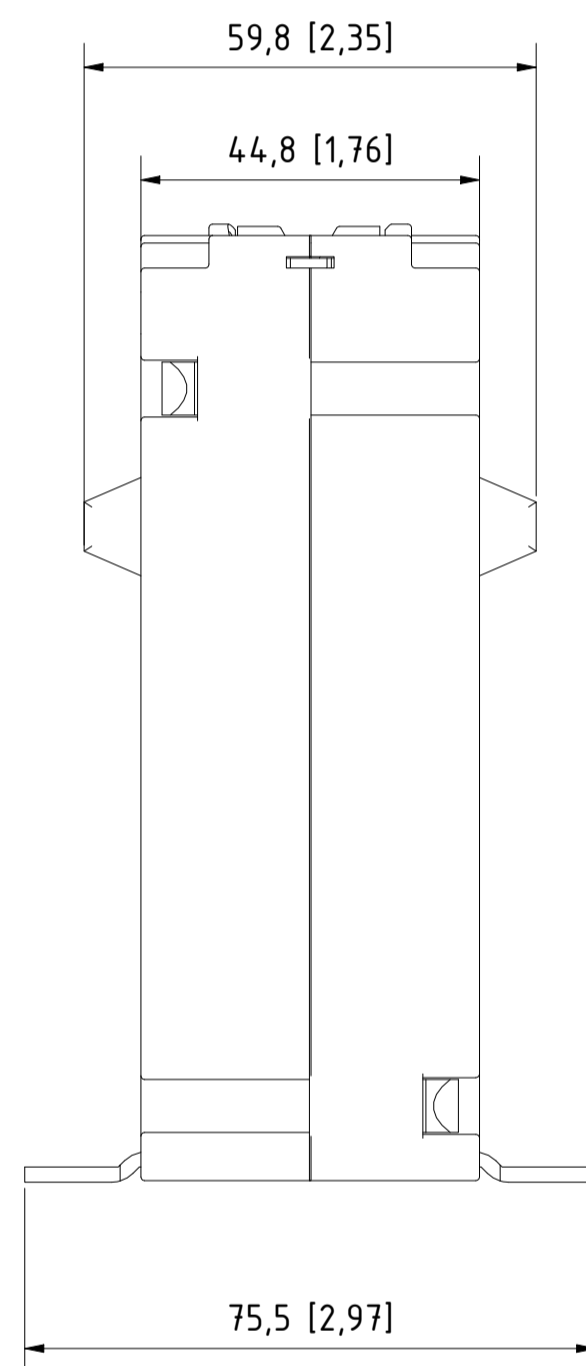
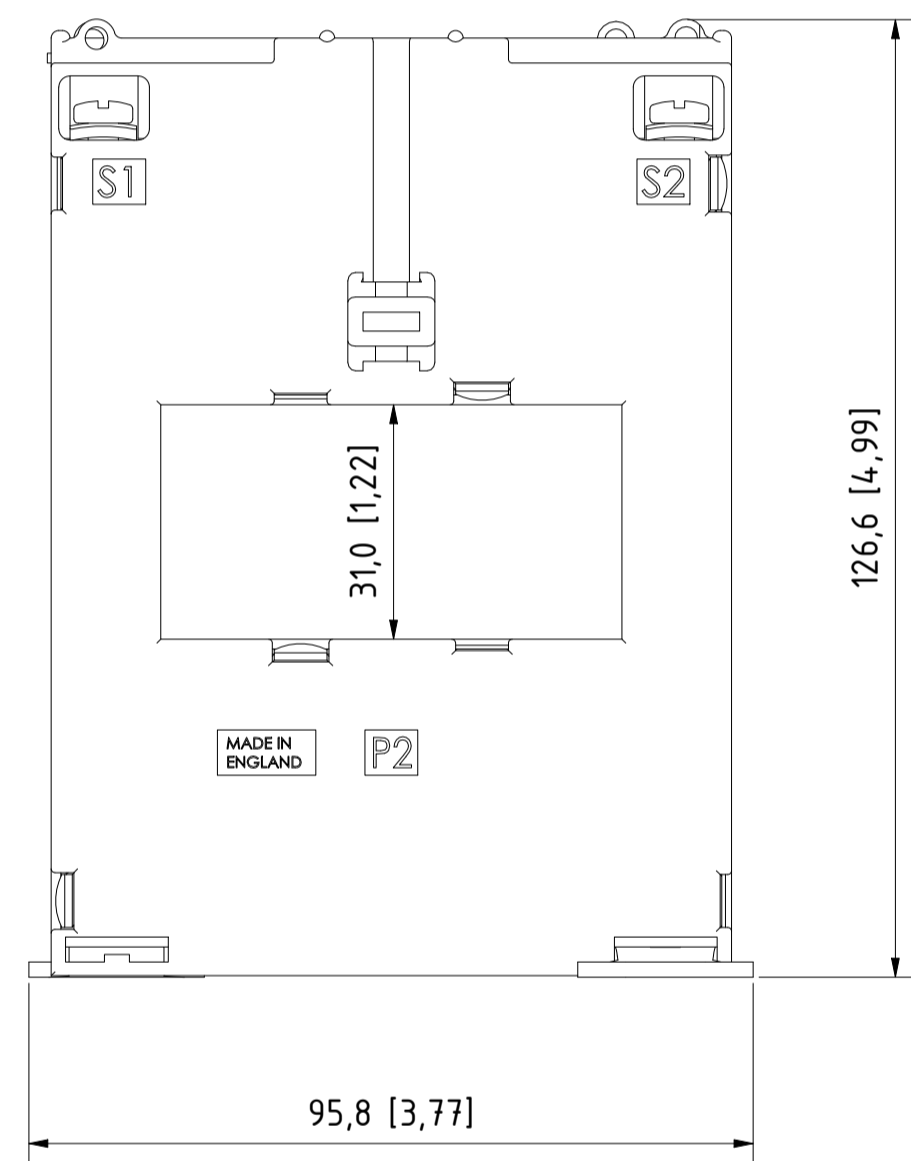
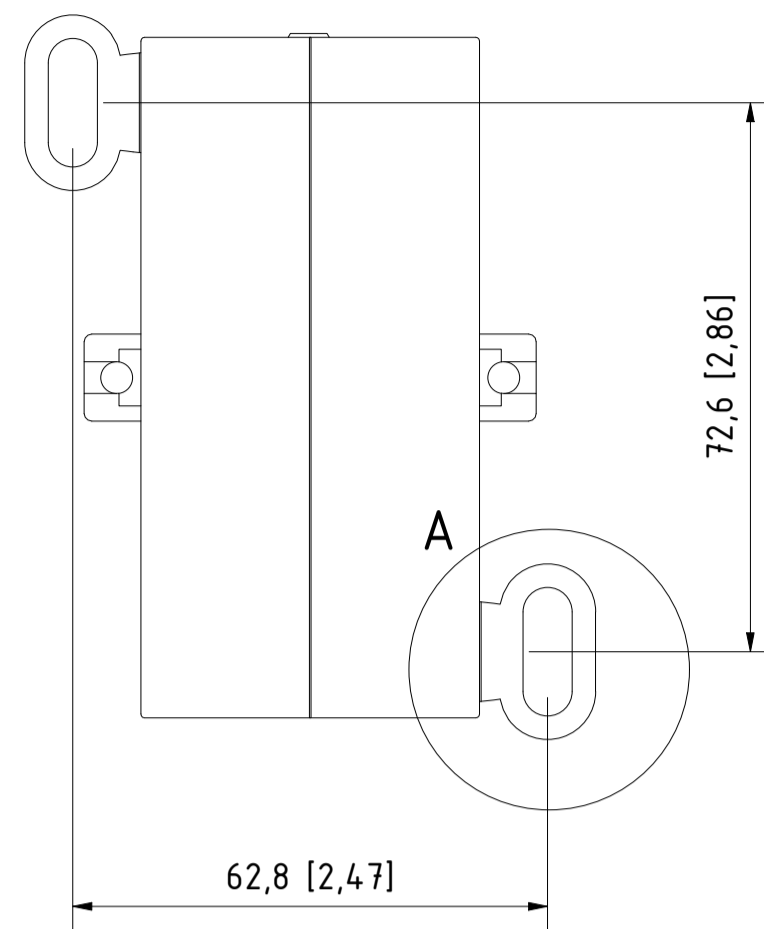
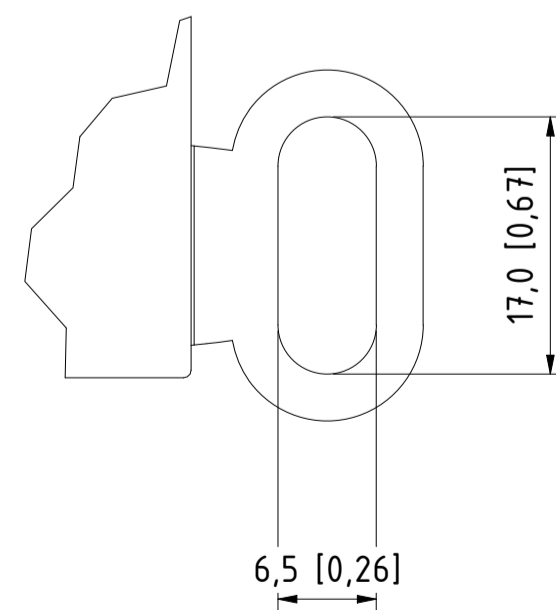


12 11 10 9 8 7 6 5 4 3 2 1

Type	Value
IP Class	IP20
UL Type	Open
Enclosure Colour	grey
Frame Size	CT 3



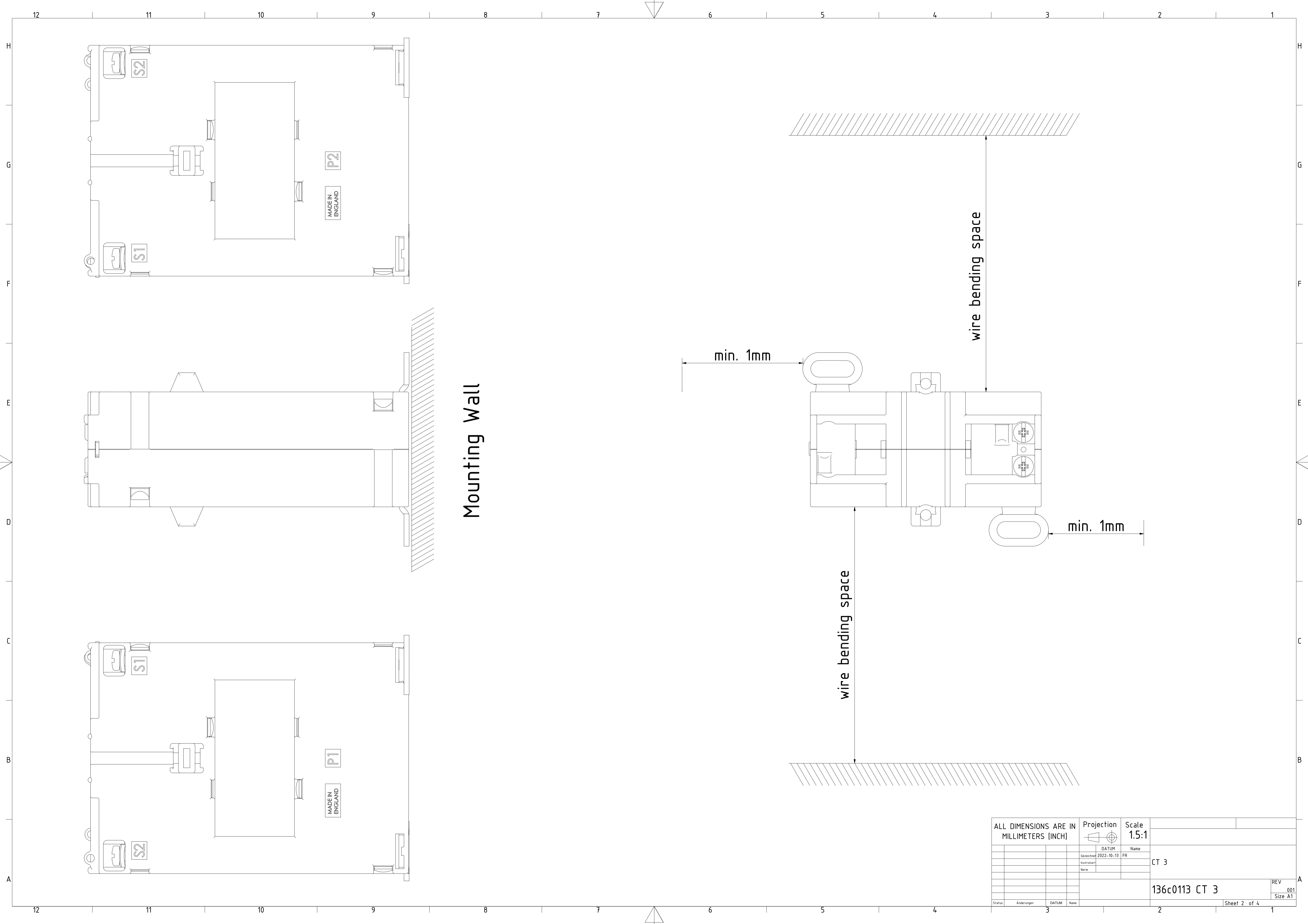
A (2 : 1)



Tolerances					
Dimension [mm]	<250	250>x>800	>800	parts in series	folded parts
Tolerance [mm]	+/-1	+/-2.5	+/-4	+/-2.5	+/-2.5

ALL DIMENSIONS ARE IN MILLIMETERS (INCH)		Projection	Scale		
			1:1		
	DATUM	Name			
	Gezeichnet	2022-10-13	FR	CT 3	
	Kontrolliert				
	Name				
			136c0113 CT 3		
Status	Änderungen	DATUM	Name	REV	001
				Size	A1
				Sheet 1 of 4	

12 11 10 9 8 7 6 5 4 3 2 1



Mounting Wall

ALL DIMENSIONS ARE IN MILLIMETERS (INCH)		Projection	Scale	
			1.5:1	
		DATUM	Name	
		Gezeichnet 2022-10-13	FR	
		Kontrolliert		CT 3
		Name		
Status	Änderungen	DATUM	Name	REV 001
				136c0113 CT 3
				Size A1
				Sheet 2 of 4

12 11 10 9 8 7 6 5 4 3 2 1

H

G

F

E

D

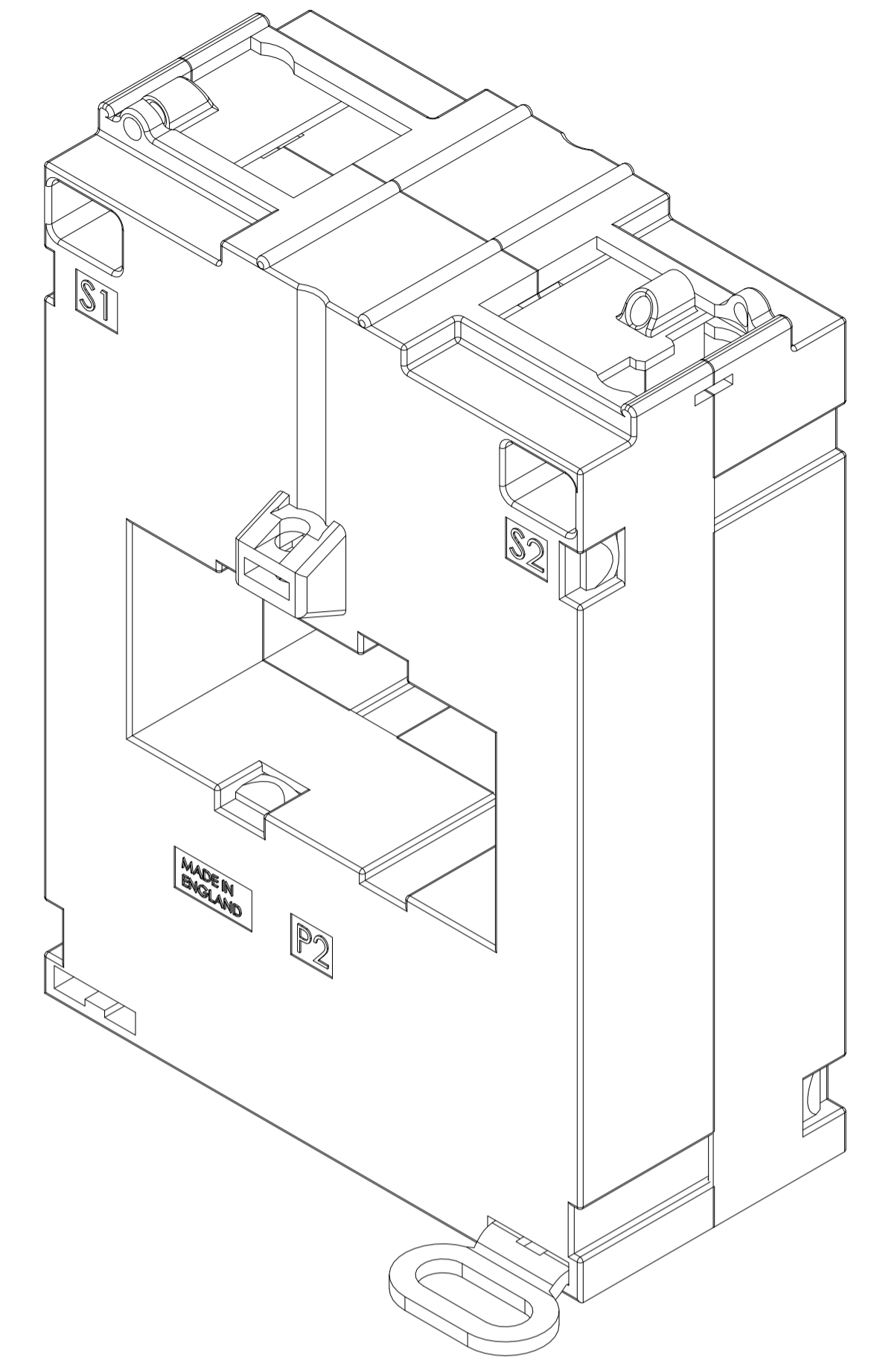
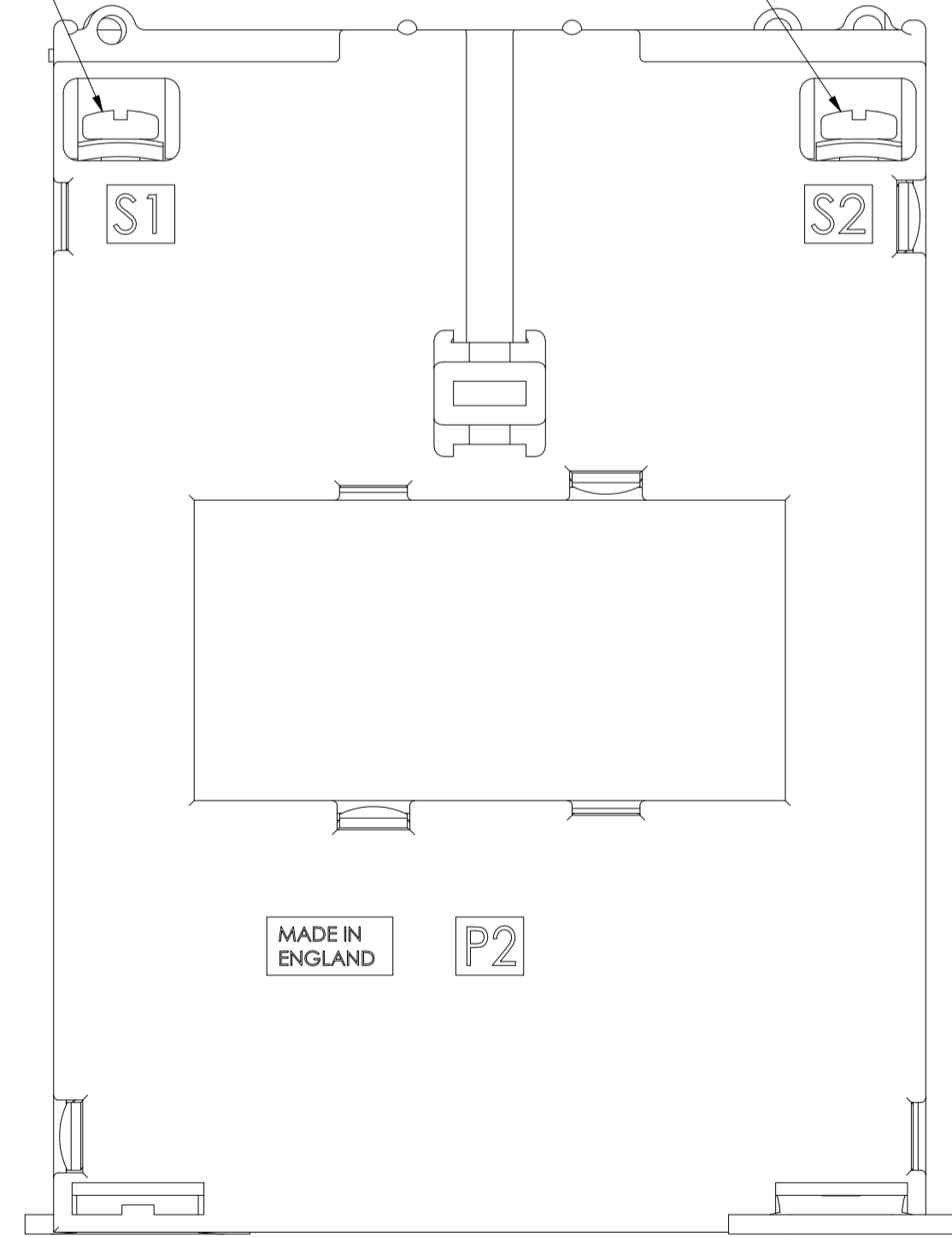
C

B

A

Sensor Terminal S2
Tool PH2 Torque 0.9Nm wire cross section 2.5mm²

Sensor Terminal S1
Tool PH2 Torque 0.9Nm wire cross section 2.5mm²



H

G

F

E

D

C

B

A

12 11 10 9 8 7 6 5 4 3 2 1

ALL DIMENSIONS ARE IN MILLIMETERS (INCH)		Projection	Scale 15:1	
	DATUM	Name		
	Gezeichnet 2022-10-13	FR		
	Kontrolliert		CT 3	
	Name			
Status	Änderungen	DATUM	Name	REV 001 Size A1
				136c0113 CT 3
				Sheet 3 of 4